

RE 18326-40/01.10
 Replaces: 01.06

1/4

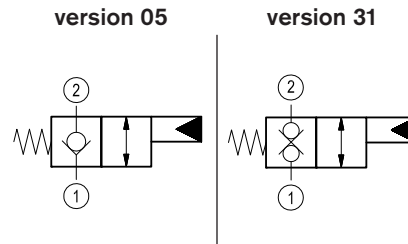
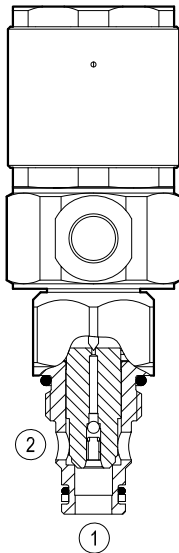
Directional control valves hydraulic operated poppet 2-way normally closed

Common cavity, Size 08



VOI-8A-2A-06-NC

OD.75 - X - 18 - Y - 00



General

Weight	kg (lbs)	0.27 (0.58)
Installation orientation		Optional
Ambient temperature range	°C (°F)	-30 to 60 (-22 to 140)

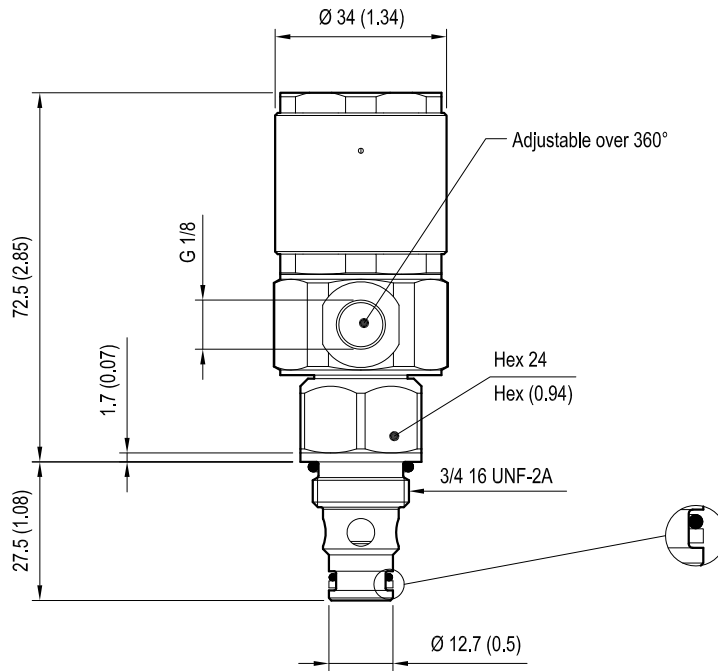
Hydraulic

Max. operating pressure	bar (psi)	350 (5000)
Max. flow	l/min. (gpm)	40 (11)
Max. internal leakage	drops/min.	20
Fluid temperature range	°C (°F)	-20 to 80 (-4 to 176)
Fluids		Mineral-based or synthetics with lubricating properties at viscosities of 20 to 380 mm ² /s (cSt)
Installation torque	Nm (ft-lbs)	39-51 (29-38)
Filtration		Nominal value max. 25µm (NAS 8) ISO 4406 19/17/14
Cavity		CA-08A-2N see RE 18325-70
Line bodies		See data sheet RE 18325-85
Seal kit - version 05	code material no.	RG08A20110520100 R901101437
Seal kit - version 31	code material no.	RG08A2010530100 R901101544
Other technical data		See data sheet RE 18350-50

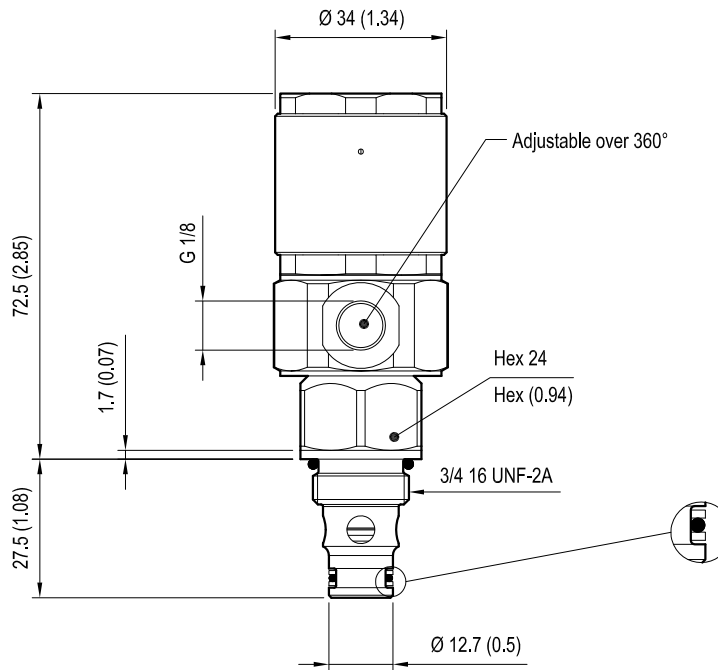
IMPORTANT: When valve is not operated, flow from 1 to 2 is not recommended due to high opening pressure. (version 05)

Dimensions

Version 05: Directional control valves hydraulic operated poppet 2-way normally closed



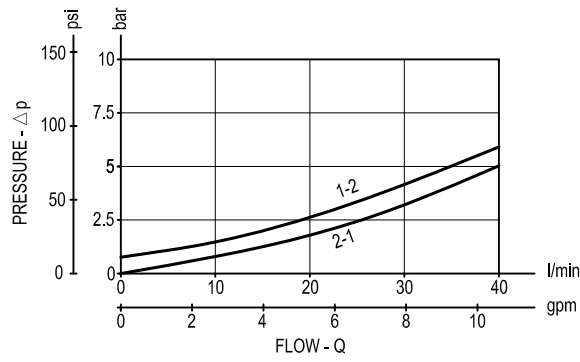
Version 31: Directional control valves hydraulic operated poppet 2-way double lock normally closed



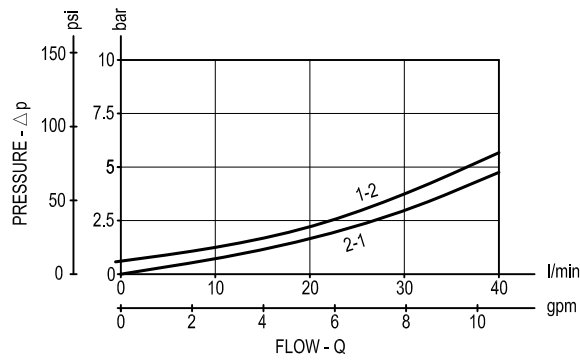
mm (Inches)

Performance graphs

Version 05



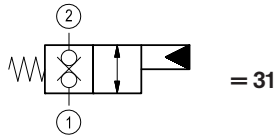
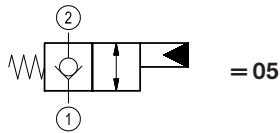
Version 31



Ordering code

OD.75 * **18** * **00**

Directional control valves
hydraulic operated poppet
2-way normally closed



	Pilot pressure	
	Min. bar (psi)	Max. bar (psi)
14	2-3 (29-44)	15 (218)
34	15-20 (218-290)	50 (725)

Common cavity: CA-08A-2N

Type	Material number
OD750518140000	R901109467
OD750518340000	R901109471
OD753118140000	R901109472
OD753118340000	R901109473

Type	Material number