

RE 18332-40/12.09
 Replaces: RE 00199/11.07

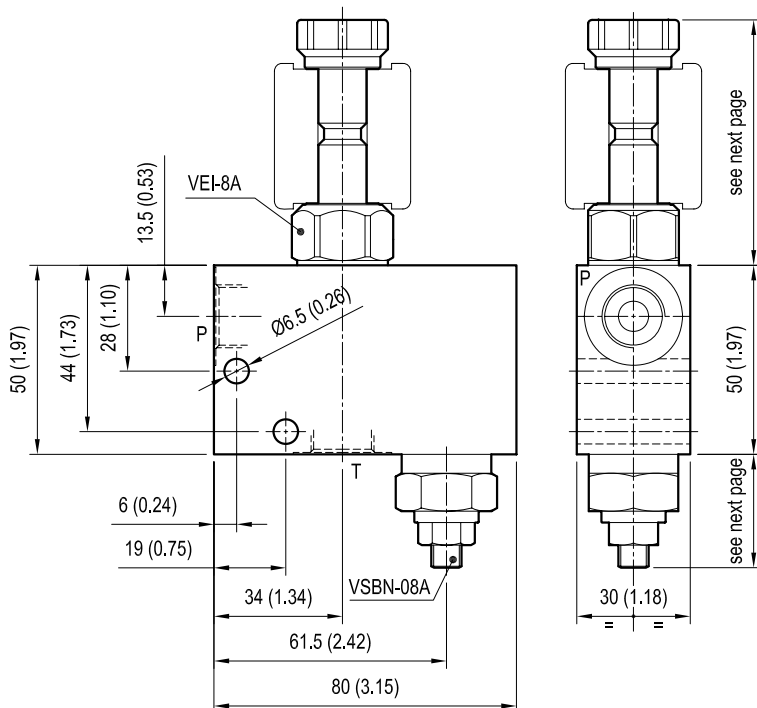
1/4

Standard integrated circuits relief valve with solenoid by-pass

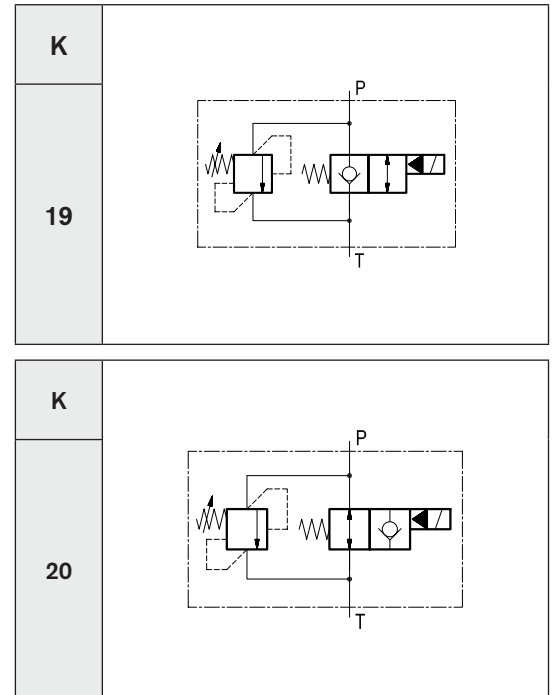
VEI8A-VSBN-08A

OL - K - Y - Z - W - 00

Dimensions



[mm (inches)]



Technical data

Max flow: up to 20 l/min (5 gpm)

Max operating pressure: 210 bar (3000 psi)

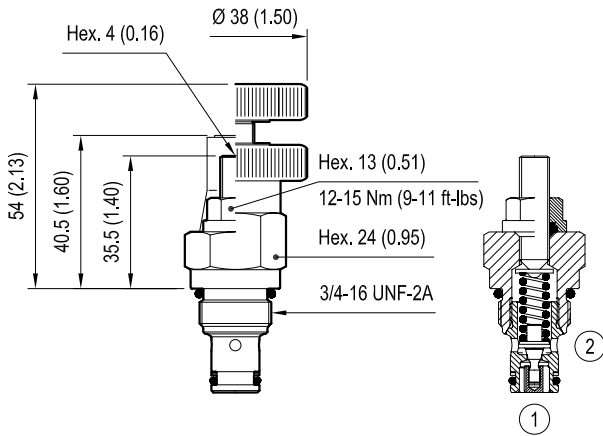
Standard manifolds in high strength **aluminium**.

For working pressure up to 350 bar (5000 psi) and for fatigue applications with any working pressure, steel manifolds are available upon request.

Weight: 0.5 kg (1.1 lbs)

These integrated circuit contains one relief valve type VSBN-08A operating from P to T and one solenoid valve type VEI-8A (see next page).

VSBN-08A Cartridge valve (code 04.11.49.X.56.Z)



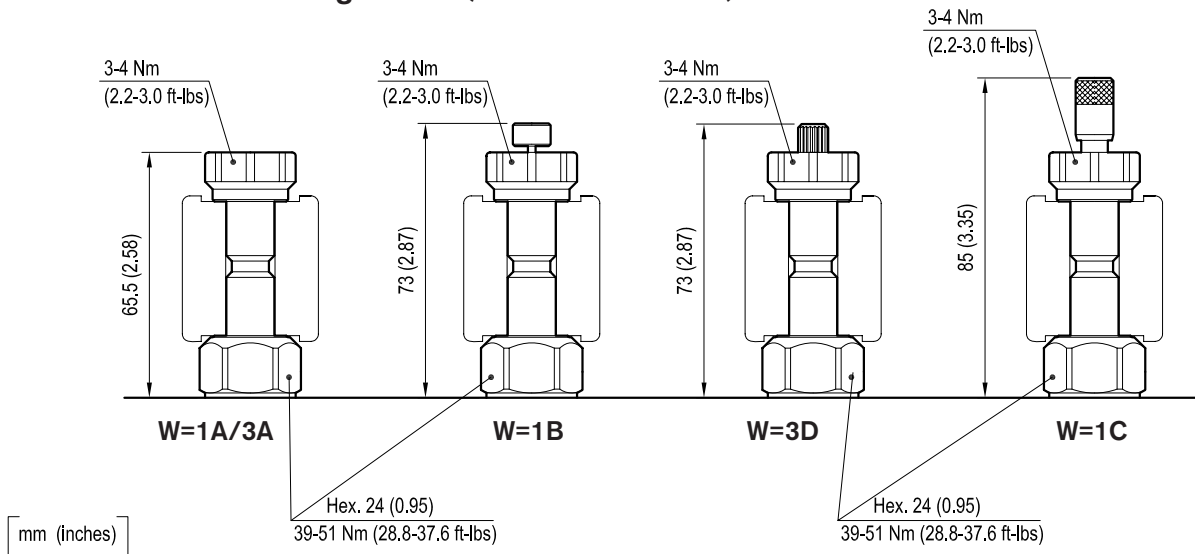
mm (inches)

Z		VSBN-08A SETTING		
		Adj. pressure range bar (psi)	Press. increase bar/turn (psi/turn)	Std. setting bar (psi) (Q=5 l/min)
	04	35-140 (500-2000)	50 (725)	100 (1450)
	07	105-210 (1500-3000)	79 (1145)	200 (2900)
	10	175-350 (2500-5000)	170 (2465)	350 (5000)
	08	35-350 (500-5000)	72 (1044)	200 (2900)

ADJUSTMENTS		OPTIONS
Leakproof hex. socket screw		 Ordering code 11.04.23.002
Handknob and locknut		

VSBN-08A TECHNICAL DATA
See table "Z", for other details see data sheet RE 18318-04

VEI-8A Solenoid cartridge valve (code OD.15.K.18...)



mm (inches)

W	MANUAL OVERRIDE OPTIONS	
	K = 19	K = 20
1A	/	No override
1B	/	Push style
1C	/	Push and twist style
3A	No override	/
3D	Knob style	/

VEI-8A TECHNICAL DATA
Internal leakage: max. 1 cm ³ /min (0.06 inch ³ /min)
Filtration: 25 µm nominal or better
Minimum voltage required: 90% of nominal value
Coil: S8-356 (must be ordered separately) (see data sheet RE 18325-90)
For other details see cartridge data sheet

Performance graphs

