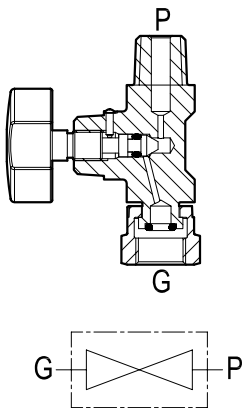


Shut-off valve for pressure gauge
Shut-off valves for in-line pressure gauge mounting



EM Series



Description

The port G for pressure gauge installation includes a swivelling nut in order to lock the gauge in the preferred direction; further, the G port is available with:
O-Ring (EM 14 version) for gauges with BSPP, cylindrical, thread
Copper washer (EM 14C version) for gauges with BSPT, tapered, thread.
The hand-knob can lock the P port and prevent the pressure gauge from being pressurized at all times.

Technical data

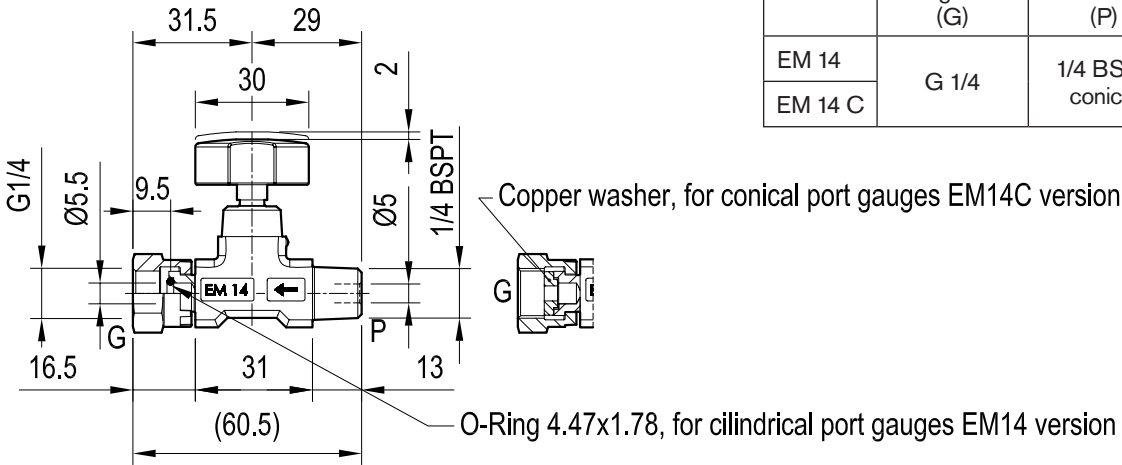
Code	Pressure P max bar (psi)	Weight kg (lbs)
EM 14	350 (5000)	0.12 (0.26)
EM 14 C	350 (5000)	0.12 (0.26)

Brass body, plastic hand knob

Advantages

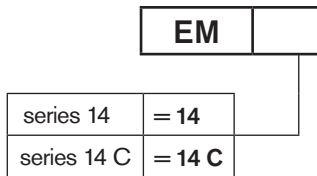
-Mounting position is optional.

Dimensions



Code	Port size		Hand Knob turns
	Gauge side (G)	Pressure side (P)	
EM 14	G 1/4	1/4 BSPT conical	2
EM 14 C			

Ordering code



Type	Material number	Type	Material number	Type	Material number
EM14	R932500182				
EM14C	R932500183				