

RE 18326-45/01.10  
 Replaces: 01.06

1/4

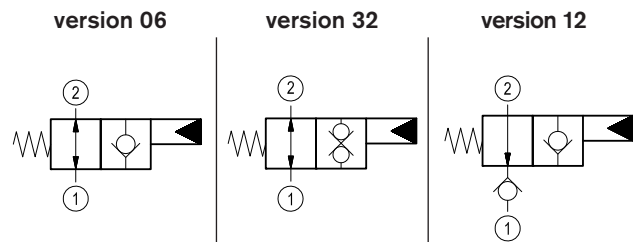
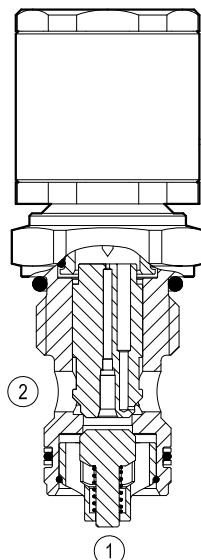
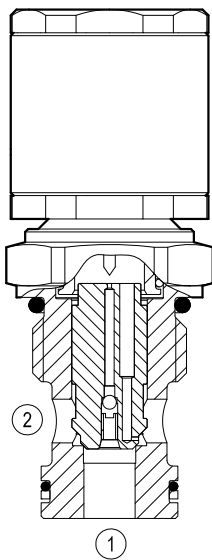
# Directional control valves hydraulic operated poppet 2-way normally open

Special cavity, 017-E



VOI-8A-2A-09-NA

OD.75 - X - 17 - Y - 00



## General

Weight	kg (lbs)	0.34 (0.75)
Installation orientation		Optional
Ambient temperature range	°C (°F)	-30 to 60 (-22 to 140)

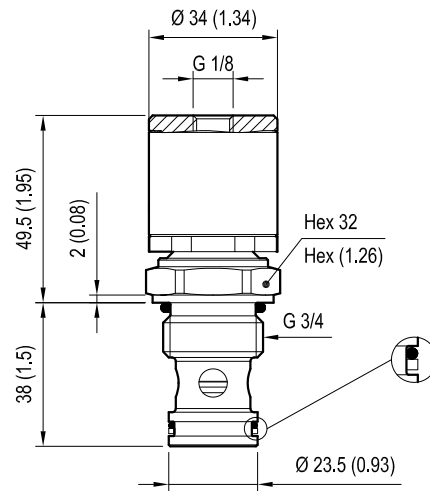
## Hydraulic

Max. operating pressure	bar (psi)	350 (5000)
Max. flow	l/min. (gpm)	70 (19)
Max. internal leakage	drops/min.	20
Fluid temperature range	°C (°F)	-20 to 80 (-4 to 176)
Fluids		Mineral-based or synthetics with lubricating properties at viscosities of 20 to 380 mm <sup>2</sup> /s (cSt)
Installation torque	Nm (ft-lbs)	54-66 (40-49)
Filtration		Nominal value max. 25µm (NAS 8) ISO 4406 19/17/14
Cavity		017-E see RE 18325-75
Line bodies		See data sheet RE 18325-85
Seal kit - version 06	code material no.	RG17E201052010 R934003562
Seal kit - version 32-12	code material no.	RG17E201053010 R934003563
Other technical data		See data sheet RE 18350-50

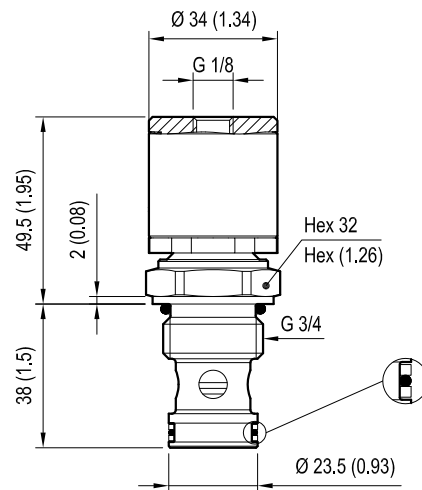
**IMPORTANT:** When valve is not operated, flow from 1 to 2 is not recommended due to high opening pressure. (version 06)

## Dimensions

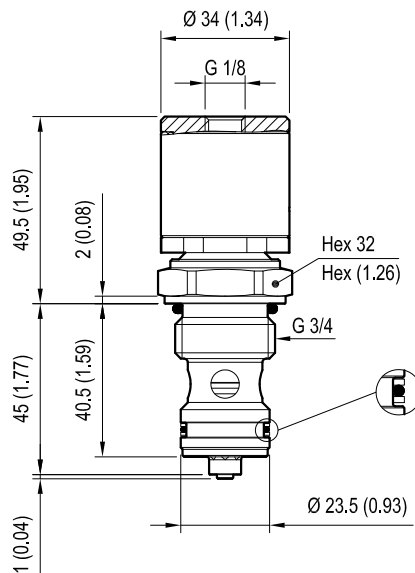
### Version 06: Directional control valves hydraulic operated poppet 2-way normally open - Special cavity



### Version 32: Directional control valves hydraulic operated poppet 2-way double lock normally open - Special cavity



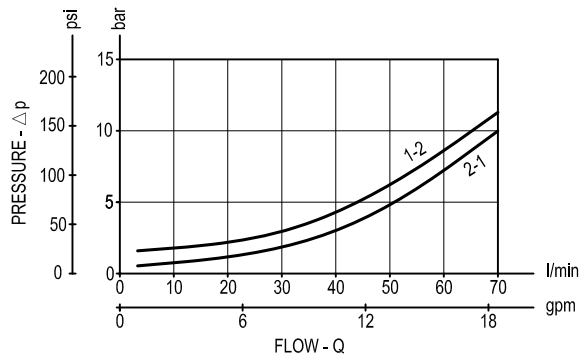
### Version 12: Directional control valves hydraulic operated poppet 2-way normally open - Special cavity



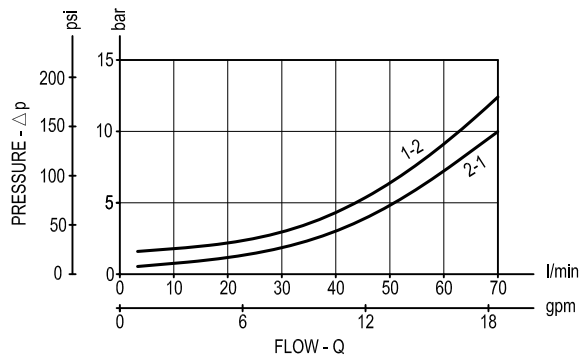
mm (Inches)

Performance graphs

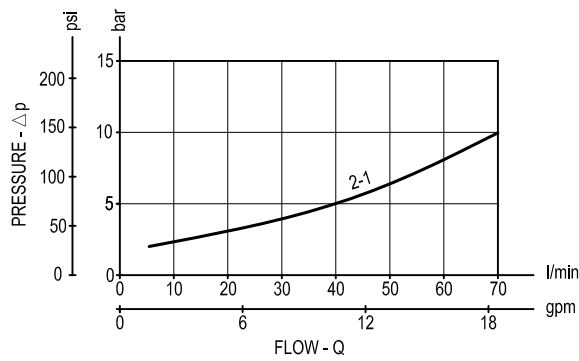
Version 06



Version 32



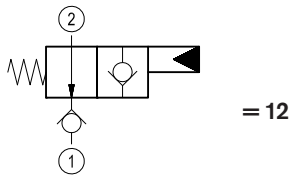
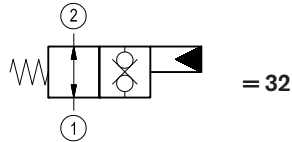
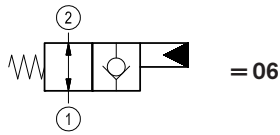
Version 12



Ordering code

**OD.75** \* **17** \* **00**

Directional control valves  
hydraulic operated poppet  
2-way normally open



Pilot pressure		
	Min. bar (psi)	Max. bar (psi)
<b>14</b>	2-3 (29-44)	15 (218)
<b>34</b>	15-20 (218-290)	50 (725)

Special cavity: 017-E

Type	Material number
OD750617140000	R934001472
OD750617340000	R987248645
OD753217140000	R934001488
OD753217340000	R934001490

Type	Material number