

RE 18326-06/01.10  
Replaces: 01.06

1/4

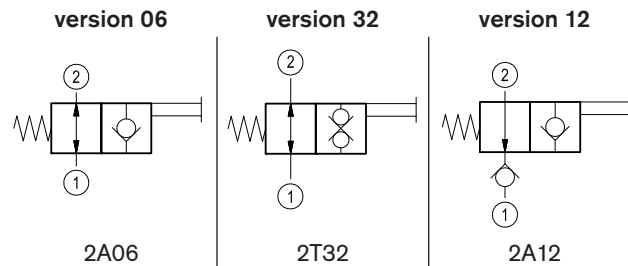
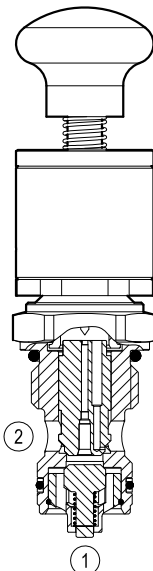
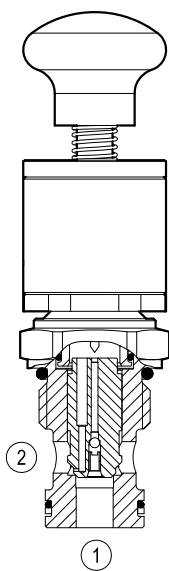
# Directional control valves manual operated poppet 2-way normally open

Special cavity, 017-E



VMI-8A-2A-09-NA

OD.55 - X - 1717.00



## General

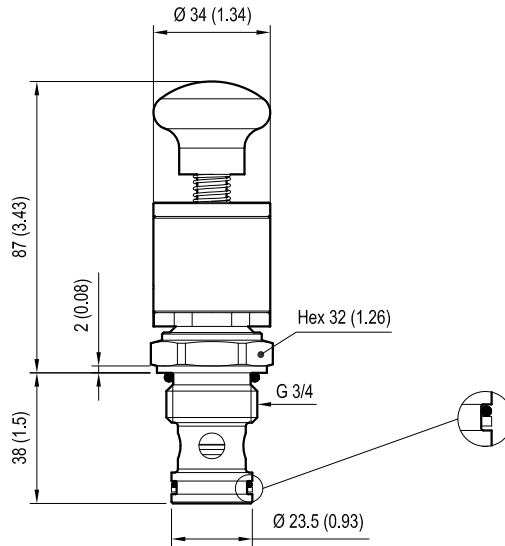
Weight	kg (lbs)	0.36 (0.79)
Installation orientation		Optional
Ambient temperature range	°C (°F)	-30 to 60 (-22 to 140)

## Hydraulic

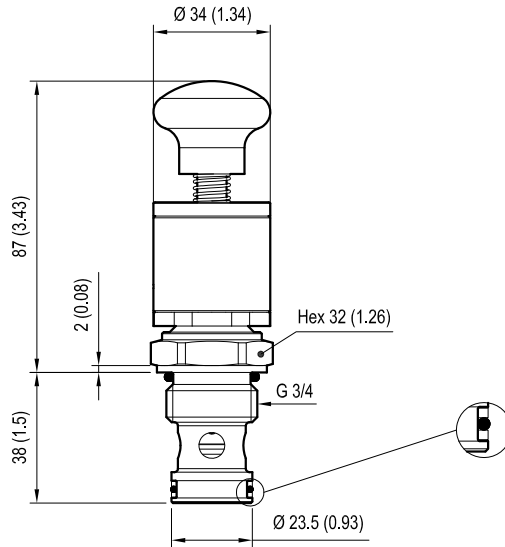
Max. operating pressure	bar (psi)	350 (5000)
Max. flow	l/min. (gpm)	70 (19)
Max. internal leakage	drops/min.	20
Fluid temperature range	°C (°F)	-20 to 80 (-4 to 176)
Fluids		Mineral-based or synthetics with lubricating properties at viscosities of 20 to 380 mm <sup>2</sup> /s (cSt)
Installation torque	Nm (ft-lbs)	54-66 (40-49)
Filtration		Nominal value max. 25µm (NAS 8) ISO 4406 19/17/14
Special cavity		017-E see RE 18325-75
Line bodies		See data sheet RE 18325-85
Seal kit - version 06	code material no.	RG17E201052010 R934003562
Seal kit - version 12	code material no.	RG17E201053010 r934003563
Other technical data		See data sheet RE 18350-50

### Dimensions

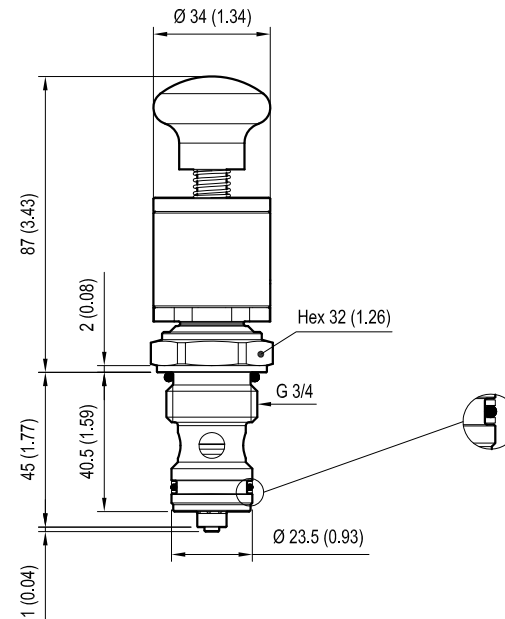
**Version 06: Directional control valves manual operated poppet 2-way normally open - Special cavity**



**Version 32: Directional control valves manual operated poppet 2-way double lock normally open - Special cavity**



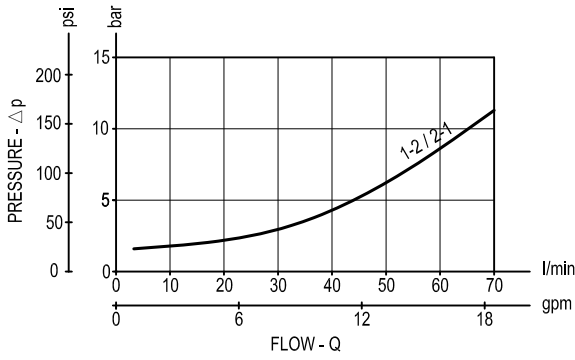
**Version 12: Directional control valves manual operated poppet 2-way normally open - Special cavity**



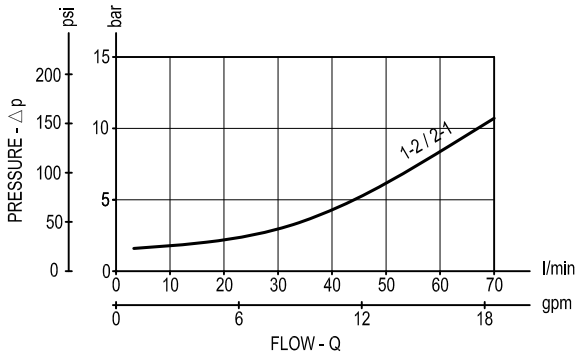
mm (Inches)

Performance graphs

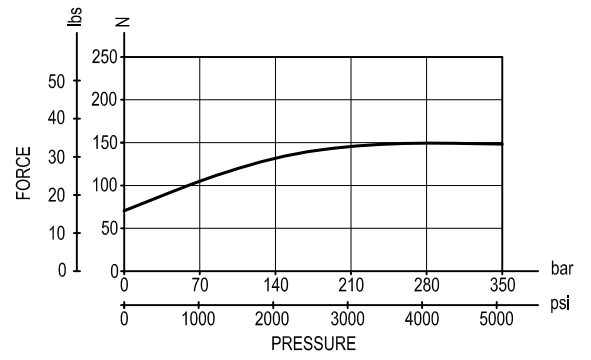
Version 06



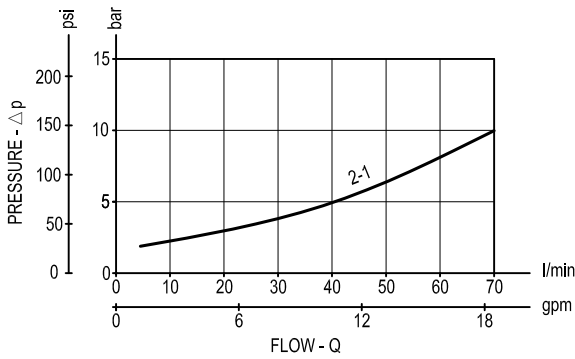
Version 32



Version 06 - 32 - 12



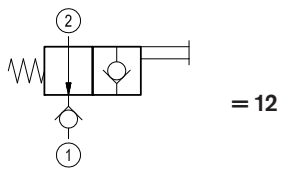
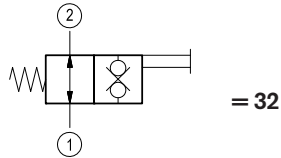
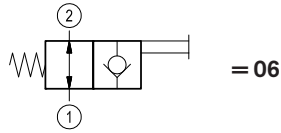
Version 12



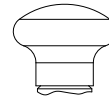
Ordering code

<b>OD.55</b>	<b>*</b>	<b>17</b>	<b>17</b>	<b>00</b>
--------------	----------	-----------	-----------	-----------

Directional control valves  
manual operated poppet 2-way  
normally open



Hand-Operated



Special cavity: 017-E

Type	Material number
OD550617170000	R934001433
OD553217170000	R934003672
OD551217170000	R934003673

Type	Material number