

RE 18326-01/01.10
 Replaces: 01.06

1/4

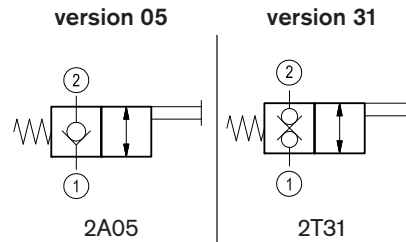
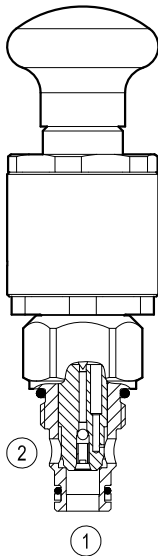
Directional control valves manual operated poppet 2-way normally closed

Common cavity, Size 08



VMI-8A-2A-06-NC

OD.55 - X - 18.37 - Z



General

Weight	kg (lbs)	0.28 (0.62)
Installation orientation		Optional
Ambient temperature range	°C (°F)	-30 to 60 (-22 to 140)

Hydraulic

Max. operating pressure	bar (psi)	350 (5000)
Max. flow	l/min. (gpm)	40 (11)
Max. internal leakage	drops/min.	20
Fluid temperature range	°C (°F)	-20 to 80 (-4 to 176)
Fluids		Mineral-based or synthetics with lubricating properties at viscosities of 20 to 380 mm ² /s (cSt)
Installation torque	Nm (ft-lbs)	39-51 (29-38)
Filtration		Nominal value max. 25µm (NAS 8) ISO 4406 19/17/14
Cavity		CA-08A-2N see RE 18325-70
Line bodies		See data sheet RE 18325-85
Seal kit - version 05	code material no.	RG08A2010520100 R901101437
Seal kit - version 31	code material no.	RG08A2010530100 R901101544
Other technical data		See data sheet RE 18350-50

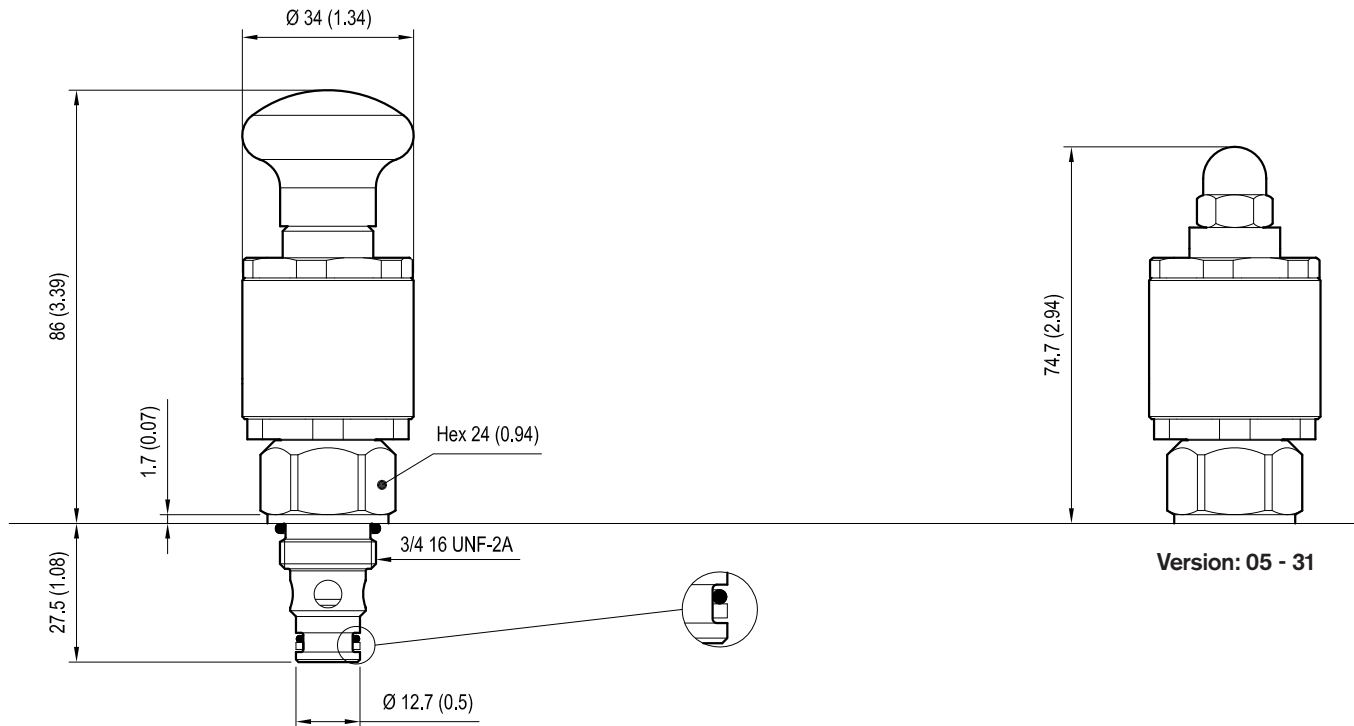
Only for cam-operated valves:

Operating stroke	mm (in)	3 (0.12)
Max. overstroke	mm (in)	0.5 (0.02)

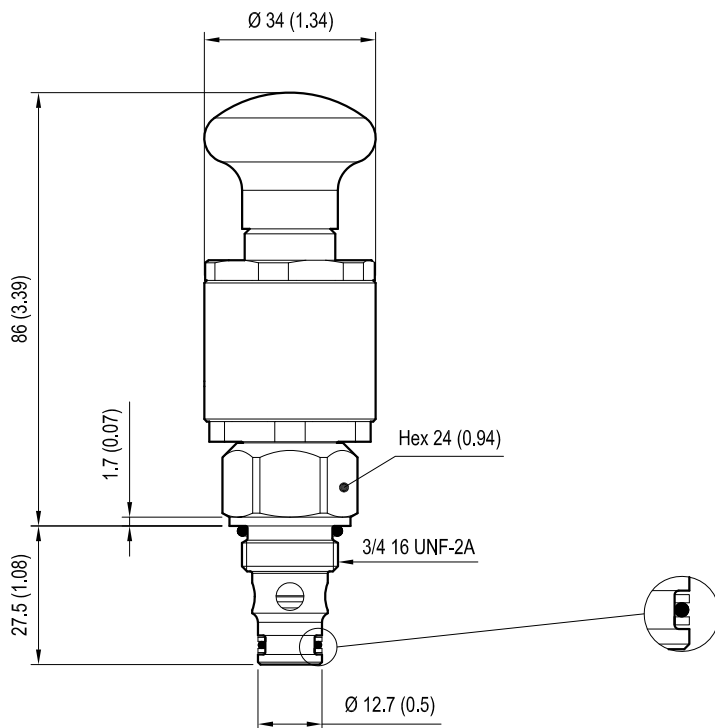
IMPORTANT: When valve is not operated, flow from 1 to 2 is not recommended due to high opening pressure. (version 05)

Dimensions

Version 05: Directional control valves manual operated poppet 2-way normally closed



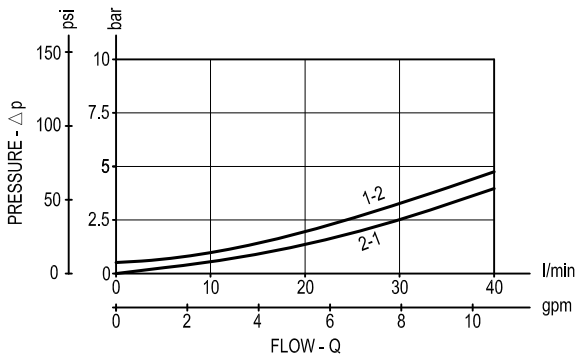
Version 31: Directional control valves manual operated poppet 2-way double lock normally closed



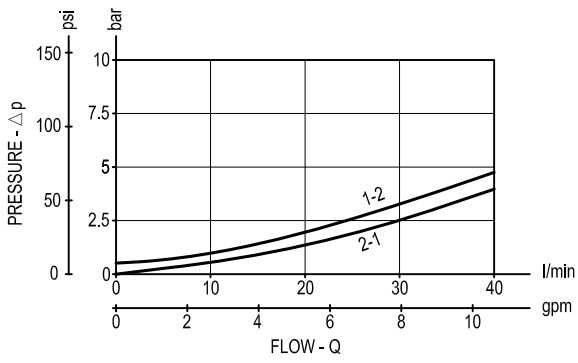
mm (Inches)

Performance graphs

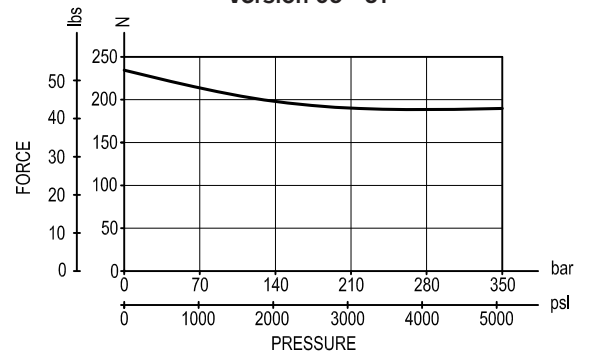
Version 05



Version 31



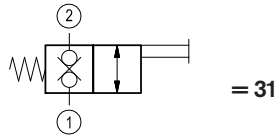
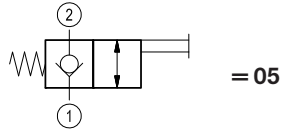
Version 05 - 31



Ordering code

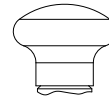
OD.55	X	18	37	Z
--------------	----------	-----------	-----------	----------

Directional control valves
manual operated poppet 2-way
normally closed



Hand-Operated

00 =



Cam-Operated

01 =



Common cavity: CA-08A-2N

Type	Material number
OD550518370000	R901109436
OD550518370100	R901109443
OD553118370000	R901109444
OD553118370100	R901109445

Type	Material number