

RE 18326-05/01.10
 Replaces: 01.06

1/4

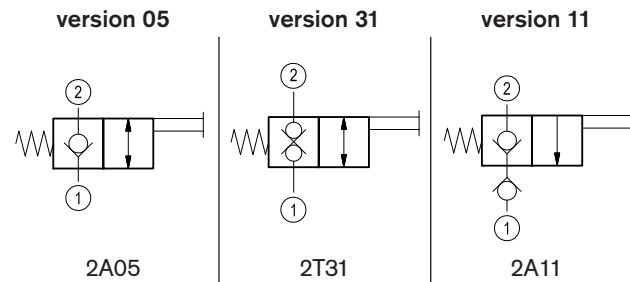
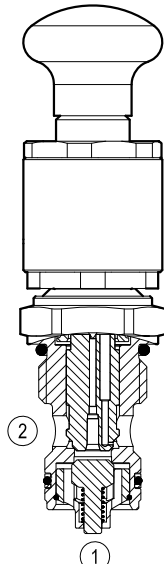
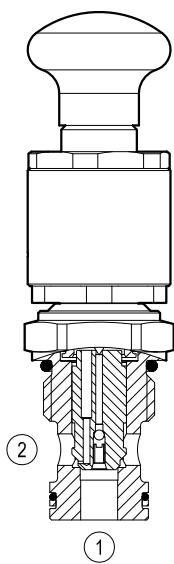
Directional control valves manual operated poppet 2-way normally closed

Special cavity, 017-E



VMI-8A-2A-09-NC

OD.55 - X - 17.37 - Z



General

Weight	kg (lbs)	0.28 (0.62)
Installation orientation		Optional
Ambient temperature range	°C (°F)	-30 to 60 (-22 to 140)

Hydraulic

Max. operating pressure	bar (psi)	350 (5000)
Max. flow	l/min. (gpm)	70 (19)
Max. internal leakage	drops/min.	20
Fluid temperature range	°C (°F)	-20 to 80 (-4 to 176)
Fluids		Mineral-based or synthetics with lubricating properties at viscosities of 20 to 380 mm ² /s (cSt)
Installation torque	Nm (ft-lbs)	54-66 (40-49)
Filtration		Nominal value max. 25µm (NAS 8) ISO 4406 19/17/14
Special cavity		017-E see RE 18325-75
Line bodies		See data sheet RE 18325-85
Seal kit - version 05	code material no.	RG17E201052010 R934003562
Seal kit - version 31	code material no.	RG17E201053010 R934003563
Other technical data		See data sheet RE 18350-50

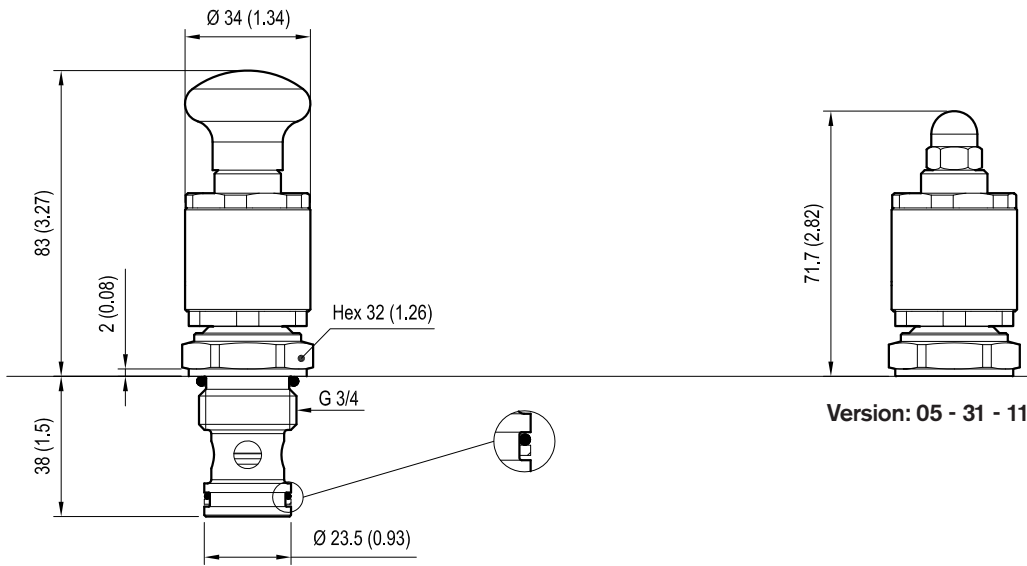
Only for cam-operated valves:

Operating stroke	mm (in)	3 (0.12)
Max. overstroke	mm (in)	0.5 (0.02)

IMPORTANT: When valve is not operated, flow from 1 to 2 is not recommended due to high opening pressure. (version 05)

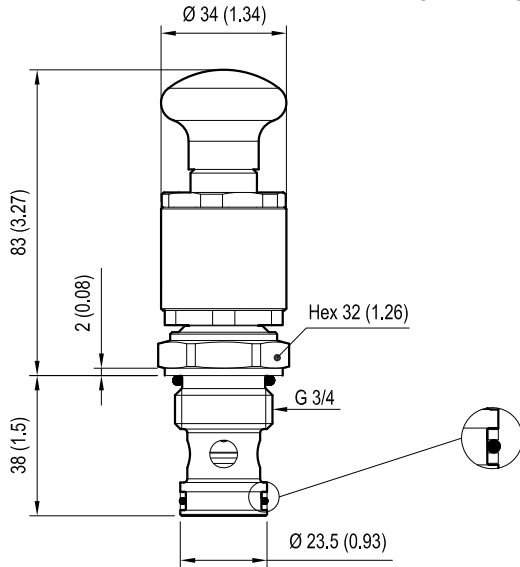
Dimensions

Version 05: Directional control valves manual operated poppet 2-way normally closed - Special cavity

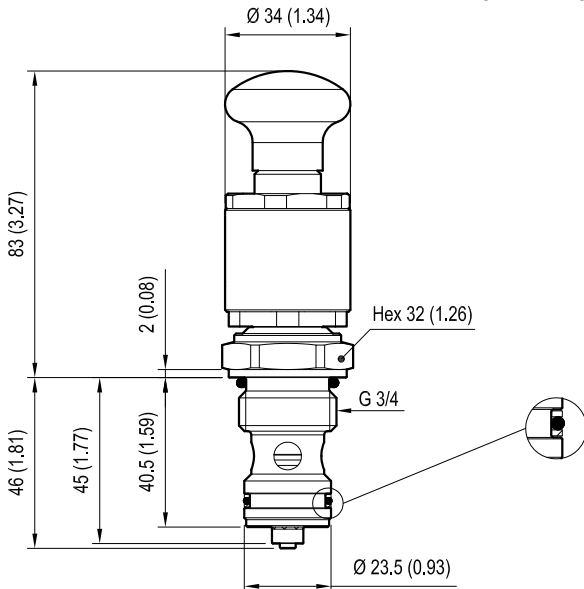


Version: 05 - 31 - 11

Version 31: Directional control valves manual operated poppet 2-way double lock normally closed - Special cavity



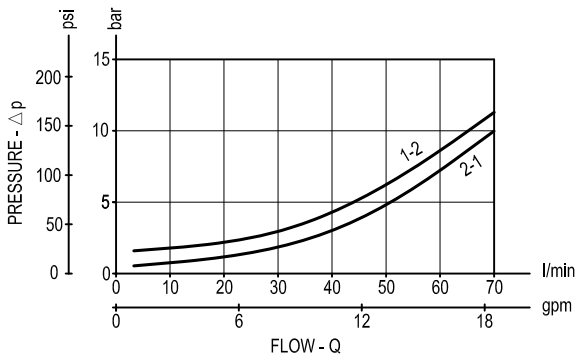
Version 11: Directional control valves manual operated poppet 2-way normally closed - Special cavity



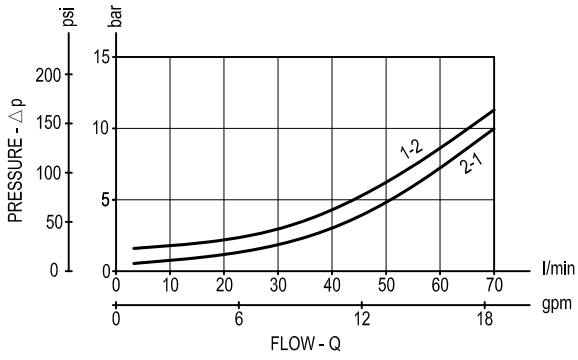
mm (Inches)

Performance graphs

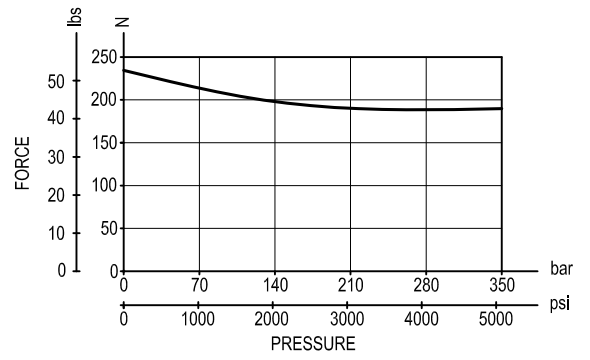
Version 05



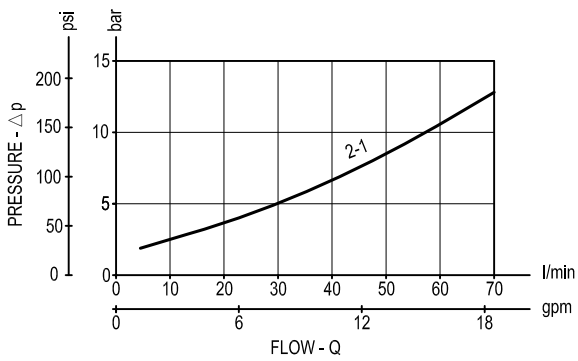
Version 31



Version 05 - 31 - 11



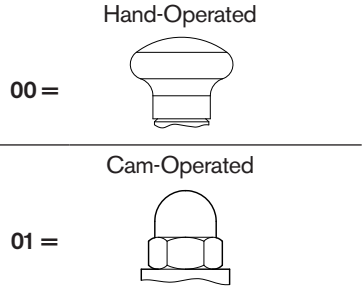
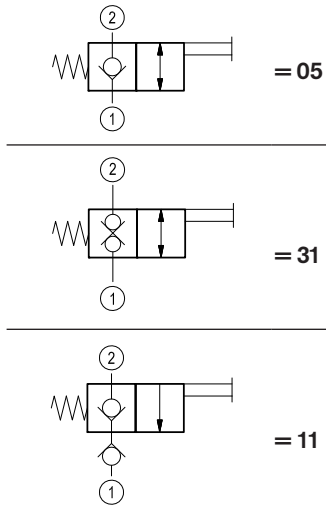
Version 11



Ordering code

OD.55	X	17	37	Z
--------------	----------	-----------	-----------	----------

Directional control valves
manual operated poppet 2-way
normally closed



Special cavity: 017-E

Type	Material number
OD550517370000	R934001424
OD550517370100	R934001425
OD553117370000	R934001437
OD553117370100	R934001438
OD551117370000	
OD551117370100	R934003671

Type	Material number