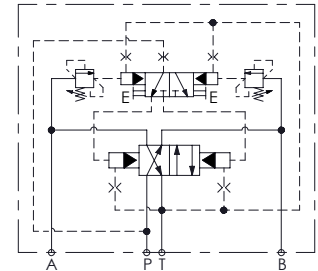
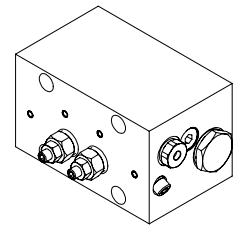
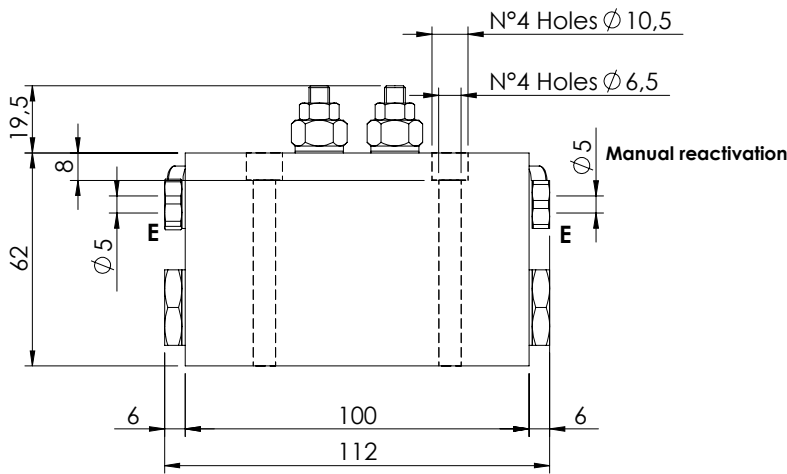
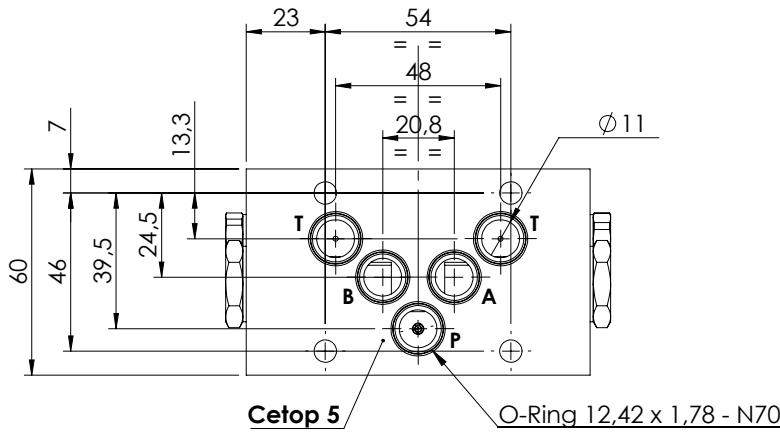


**AUTOMATIC DIRECTIONAL VALVE**

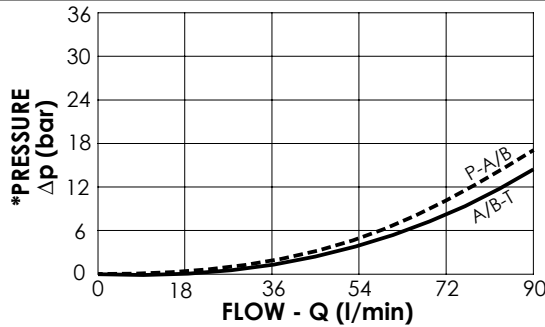
**MDAP-090-NNNR**

**PRESSURE SWITCHING**



**SPECIFICATIONS**

Max. operating pressure:	350 bar
Rated flow:	90 l/min
Manifold:	Cast iron
Weight:	2,64 kg



**NOTES**

Minimum required flow: 3 l/min

**ORDERING CODES**

Quick code	Description	Main ports size	Standard setting (bar, Q=5 l/min)	Adjust. range (bar)	Pressure increase (bar/turn)
MD000030	MDAP-090-NNNR-NP-N10-N350	A,B,P,T: CETOP 5	350	100-350	95
MD000029	MDAP-090-NNNR-NP-N10-N200	A,B,P,T: CETOP 5	200	50-210	51
MD000028	MDAP-090-NNNR-NP-N10-N100	A,B,P,T: CETOP 5	100	15-100	26