

**VALVES IN PHASE OUT**  
**Valves replaced by new VEI-16 (RE18323-27)**

Solenoid operated valves pilot operated poppet type  
 2-way normally closed  
 Special cavity, 019-E

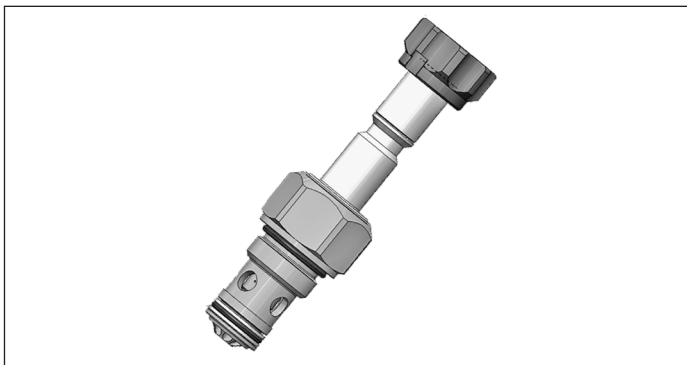
VEI-8A-06-NC

OD.15 - X - 19 - Z

**RE 18323-20**

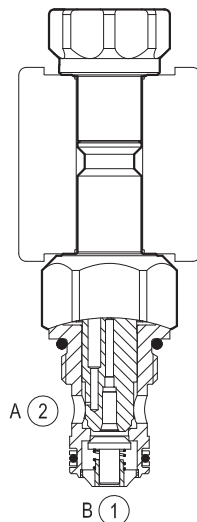
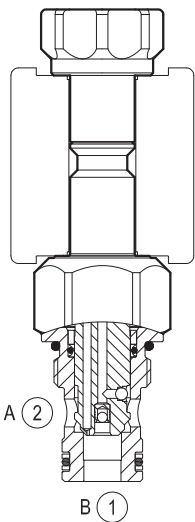
Edition: 06.2019

Replaces: 01.2016

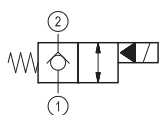


**Technical data**

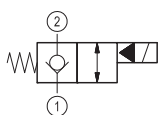
General	
Weight	0.13 kg (0.29 lbs)
Installation orientation	Optional
Storage ambient temperature range	-40 to 100 °C (-40 to 212 °F)
Operating ambient temperature range	-30 to 90 °C (-22 to 194 °F)
Hydraulic	
Max. operating pressure	350 bar (5000 psi)
Max. proof pressure	420 bar (6000 psi)
Flow range	0.5 - 40 l/min (0.1 - 11 gpm)
Fatigue cycle life	1 million cycles at 350 bar
Max. internal leakage	20 drops/min.
Fluid temperature range	-20 to 80 °C (-4 to 176 °F)
Fluids: Mineral-based or synthetics with lubricating properties at viscosities of 20 to 380 mm <sup>2</sup> /s (cSt)	
Installation torque	39 - 51 Nm (29 - 38 ft-lbs)
Recommended degree of fluid contamination	Nominal value max. 10 µm (NAS 8) ISO 4406 19/17/14
MTTFd	150 years see RE 18350-51
Special cavity	019-E see 18325-75
Lines bodies and standard assemblies	Please refer to section "Hydraulic integrated circuit" or consult factory
Seal kit – version 03-11	code material no. RG19E201053010 R934003561
Seal kit – version 5	code material no. RG19E201052010 R934003560
Seal kit coil	code material no. RG12A1PNBR7010 R934003958
Other technical data	See data sheet 18350-50
Electrical	
Type of voltage	DC voltage
Coil type	S8-356 see 18325-90
Supply voltage	See data sheet 18325-90
Nominal voltage	± 10%
Power consumption	20 W
Duty cycle coil	See characteristic curves %
Type of protection	See data sheet 18325-90
Note: Coils must be ordered separately	



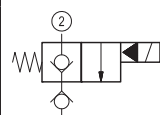
▼ **Version 03**



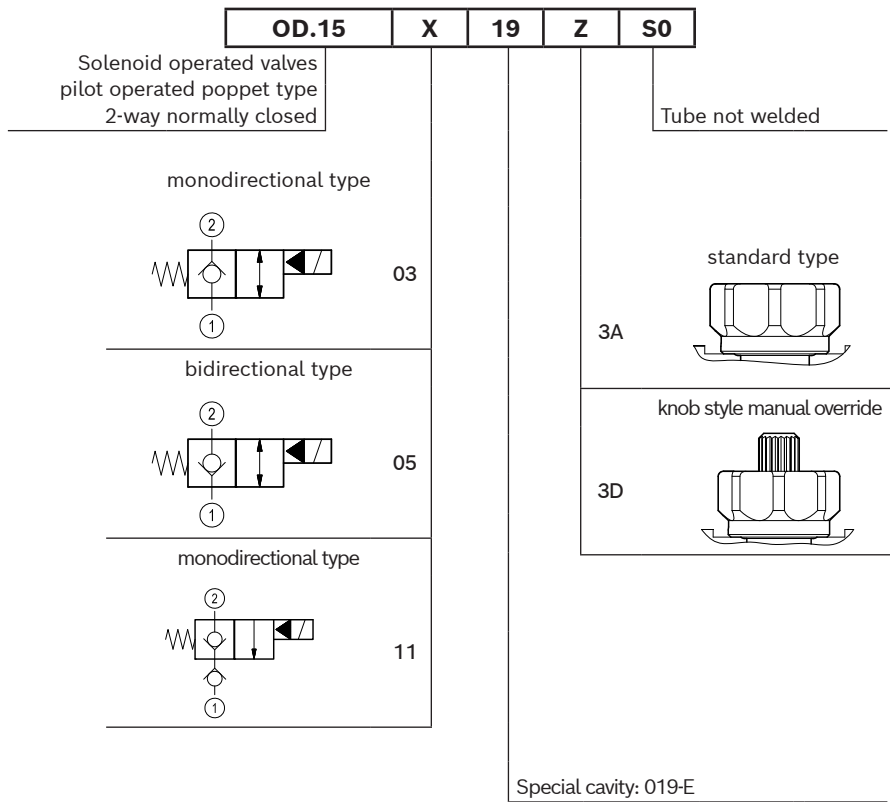
▼ **Version 05**



▼ **Version 11**



Ordering code



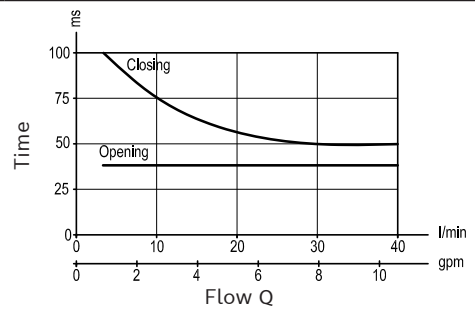
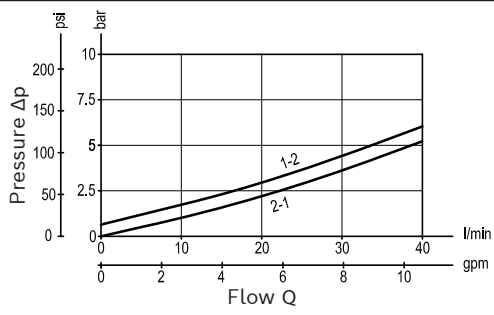
Type	Material number
OD1503193AS00	R934000785
OD1503193DS00	R934000786
OD1505193AS00	R934000895
OD1505193DS00	R934000898
OD1511193AS000	R901091157
OD1511193DS000	R901091158

Type	Material number

**Characteristic curves**

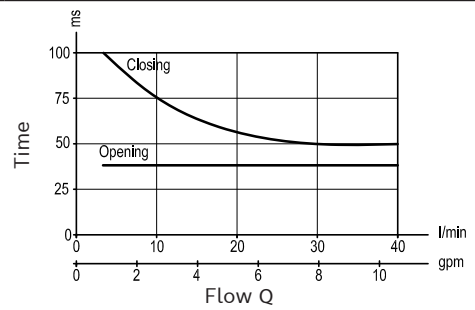
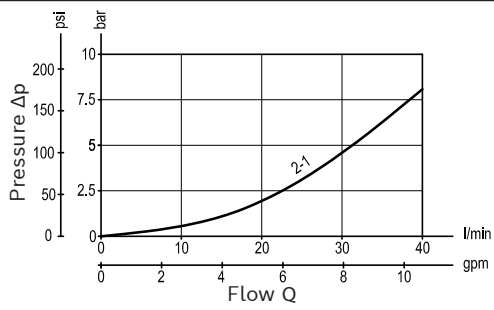
**Version 03-05**

Standard



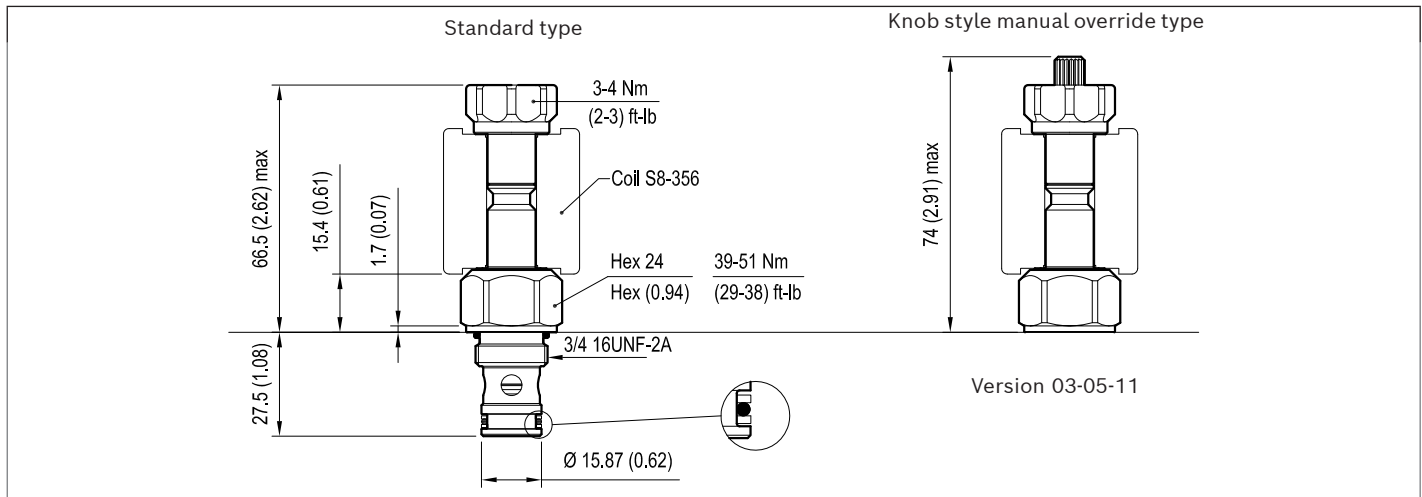
**Version 11**

Standard

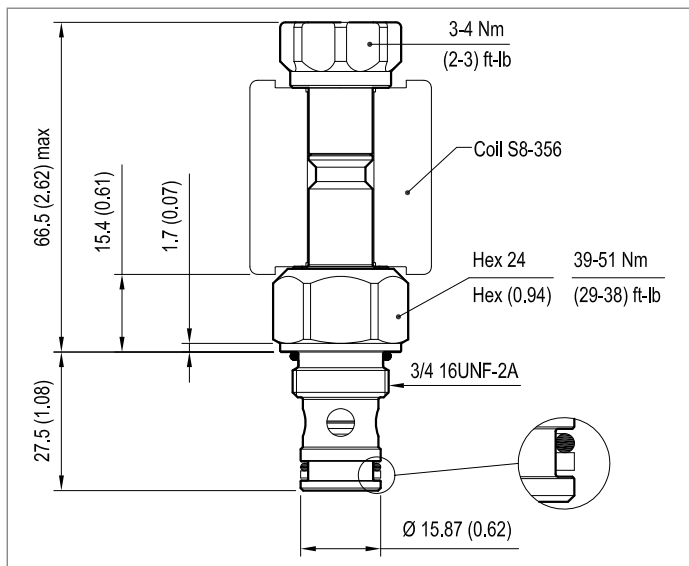


## Dimensions

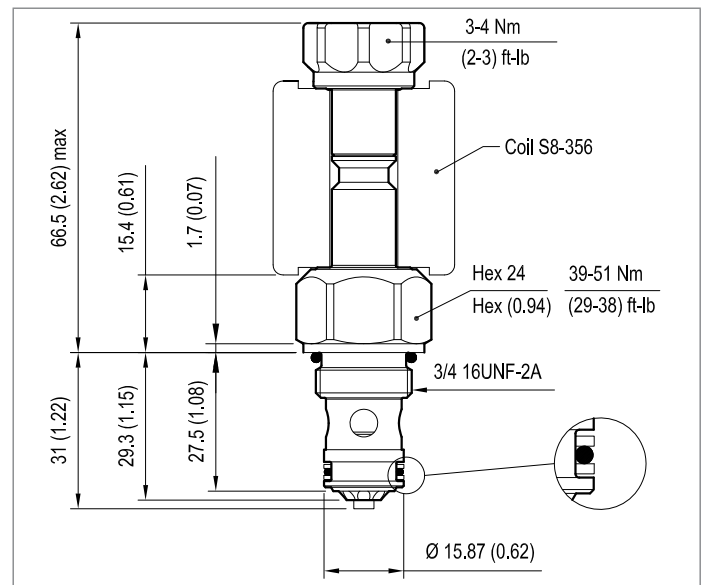
## ▼ Version 03: Solenoid operated valves, poppet 2-way normally closed



## ▼ Version 05: Solenoid operated valves, poppet 2-way normally closed



## ▼ Version 11: Solenoid operated valves, poppet 2-way normally closed



## Bosch Rexroth Oil Control S.p.A.

Via Leonardo da Vinci 5  
 P.O. Box no. 5  
 41015 Nonantola – Modena, Italy  
 Tel. +39 059 887 611  
 Fax +39 059 547 848  
 compact-hydraulics-cv@boschrexroth.com  
 www.boschrexroth.com/compacthydraulics

© This document, as well as the data, specifications and other information set forth in it, are the exclusive property of Bosch Rexroth Oil Control S.p.a.. It may not be reproduced or given to third parties without its consent. The data specified above only serve to describe the product. No statements concerning a certain condition or suitability for a certain application can be derived from our information. The information given does not release the user from the obligation of own judgment and verification. It must be remembered that our products are subject to a natural process of wear and aging. Subject to change.