

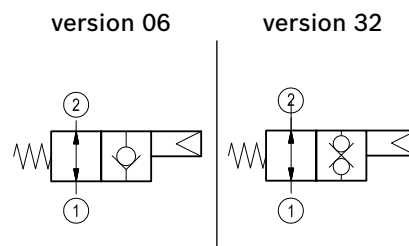
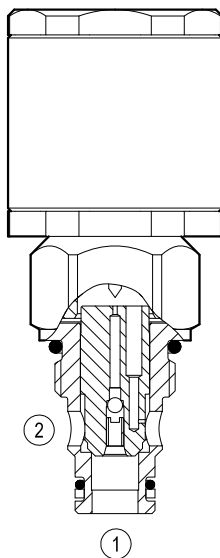
Directional control valves pneumatic operated poppet 2-way normally open

Common cavity, Size 08



VPI-8A-2A-06-NA

OD.65 - X - 18.14.00



General

Weight	kg (lbs)	0.27 (0.58)
Installation orientation		Optional
Ambient temperature range	°C (°F)	-30 to 60 (-22 to 140)

IMPORTANT: When valve is not operated, flow from 1 to 2 is not recommended due to high opening pressure.
(version 06)

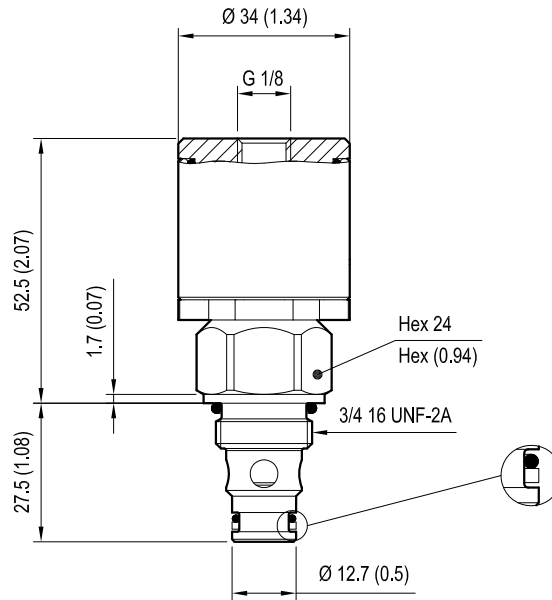
Hydraulic

Max. operating pressure	bar (psi)	350 (5000)
Max. flow	l/min. (gpm)	40 (11)
Max. internal leakage	drops/min.	20
Fluid temperature range	°C (°F)	-20 to 80 (-4 to 176)
Fluids		Mineral-based or synthetics with lubricating properties at viscosities of 20 to 380 mm ² /s (cSt)
Installation torque	Nm (ft-lbs)	39-51 (29-38)
Filtration		Nominal value max. 25µm (NAS 8) ISO 4406 19/17/14
Cavity		CA-08A-2N see RE 18325-70
Seal kit - version 06	code material no.	RG08A2010520100 R901101437
Seal kit - version 32	code material no.	RG08A2010530100 R901101544
Other technical data		See data sheet RE 18350-50

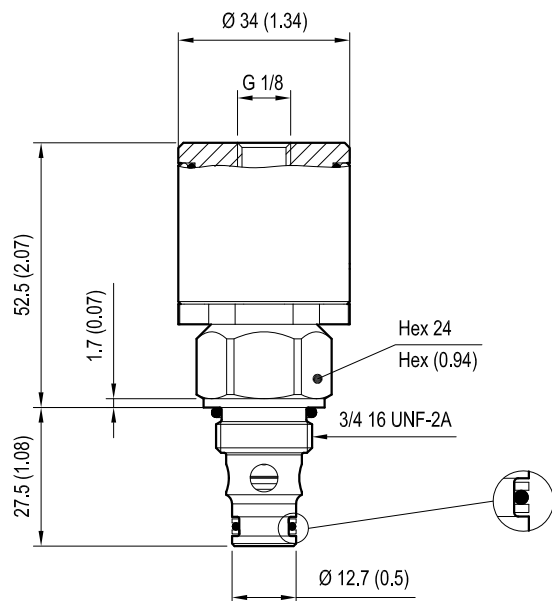
Pilot pressure	bar (psi)	Max. 15 (218)
	bar (psi)	Min. 4 (58)

Dimensions

Version 06: Directional control valves pneumatic operated poppet 2-way normally open



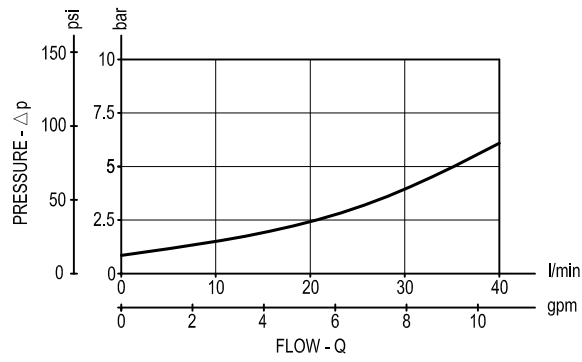
Version 32: Directional control valves pneumatic operated poppet 2-way double lock normally open



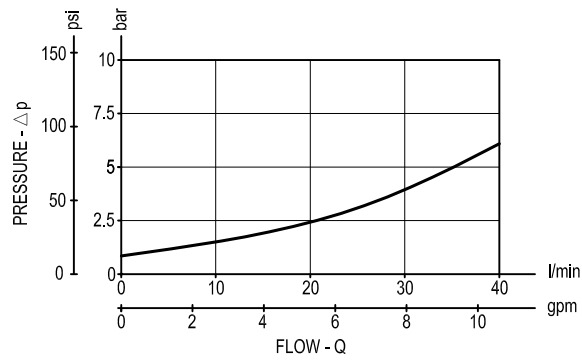
mm (Inches)

Performance graphs

Version 06



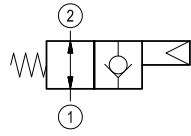
Version 32



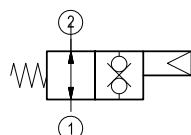
Ordering code

	OD.65	*	18	14	00
--	-------	---	----	----	----

Directional control valves
pneumatic operated
poppet 2-way normally
open



= 06



= 32

Common cavity: CA-08A-2N

Type	Material number	Type	Material number
OD650618140000	R901109464		
OD653218140000	R901109466		