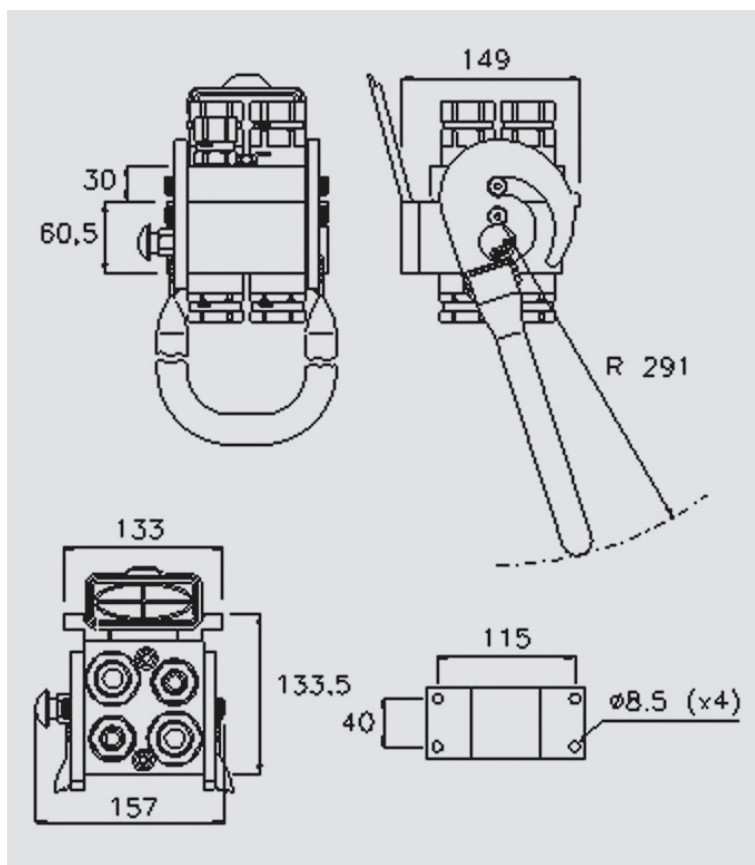


P510



Multifaster 4 lines; 2 lines size 08, 2 lines size 12.

Applications



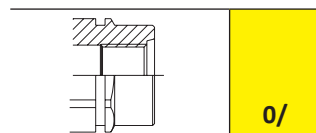
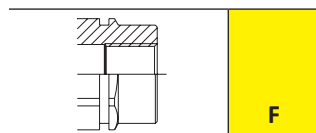
Technical Specifications

dash	Size		Working Pressure (MPa)	Flow Rate (l/min)	Spillage (ml)	Burst pressure (MPa)		
	mm	inch				Male	Female	Male + Female
08	12,5	1/2"	25	70	0,01	100	100	100
12	20	3/4"	25	105	0,02	100	100	100

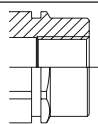
Material	Aluminium; Steel	Valve Type	Flat
Seals	NBR; PUR	Connection	Lever
Working temperatures	- 25 °C to 100 °C	Disconnection	Lever
Surface treatment	MATE 500 (CrIII); Paint	Connection Under Pressure	Allowed Residual

P510

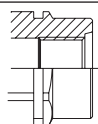
Size					Thread Type					FIXED
dash	mm	inch	Housing	Number of Couplings	Thread Type	Standard	Thread	Electrical Connector N	Connector Type	Part Number
08	12,5	1/2"	4	2	F BSPP	ISO 1179-1	BSPP 1/2" FEMALE			3P510-4-A F C
12	20	3/4"		2	F BSPP	ISO 1179-1	BSPP 3/4" FEMALE			
08	12,5	1/2"	4	1	F BSPP	ISO 1179-1	BSPP 1/2" FEMALE			3P510-3-A F C
12	20	3/4"		2	F BSPP	ISO 1179-1	BSPP 3/4" FEMALE			
08	12,5	1/2"	4	1	F BSPP	ISO 1179-1	BSPP 1/2" FEMALE			3P510-2-E F C
12	20	3/4"		1	F BSPP	ISO 1179-1	BSPP 3/4" FEMALE			
08	12,5	1/2"	4	0				2	3 PINS & 7 PINS	3P510-1A-2-A FC
12	20	3/4"		2	F BSPP	ISO 1179-1	BSPP 3/4" FEMALE			
08	12,5	1/2"	4	1	F BSPP	ISO 1179-1	BSPP 1/2" FEMALE	1	3 PINS	3P510-1-3-A F C
12	20	3/4"		2	F BSPP	ISO 1179-1	BSPP 3/4" FEMALE			
08	12,5	1/2"	4	2	O/ SAE	ISO 11926-1	1-1/16"-12 UN FEMALE ORB			2P510-4-N F C
12	20	3/4"		2	O/ SAE	ISO 11926-1	3/4"-16 UNF FEMALE ORB			
08	12,5	1/2"	4	1	F BSPP	ISO 1179-1	BSPP 1/2" FEMALE			2P510-3-A F C
12	20	3/4"		2	F BSPP	ISO 1179-1	BSPP 3/4" FEMALE			
08	12,5	1/2"	4	1	F BSPP	ISO 1179-1	BSPP 1/2" FEMALE			2P510-2-A F C
12	20	3/4"		1	F BSPP	ISO 1179-1	BSPP 3/4" FEMALE			
08	12,5	1/2"	4	0						2P510-2-34S F C
12	20	3/4"		2	O/ SAE	ISO 11926-1	1-1/16"-12 UN FEMALE ORB			
08	12,5	1/2"	4	1	O/ SAE	ISO 11926-1	1-1/16"-12 UN FEMALE ORB	1	3 PINS	2P510-1-3-I F C
12	20	3/4"		2	O/ SAE	ISO 11926-1	3/4"-16 UNF FEMALE ORB			
08	12,5	1/2"	4	1	F BSPP	ISO 1179-1	BSPP 1/2" FEMALE	1	3 PINS	2P510-1-3-A1 FC
12	20	3/4"		2	F BSPP	ISO 1179-1	BSPP 3/4" FEMALE			
08	12,5	1/2"	4	0				1	3 PINS	2P510-1-2-34SFC
12	20	3/4"		2	O/ SAE	ISO 11926-1	1-1/16"-12 UN FEMALE ORB			
08	12,5	1/2"	4	0						3P510-2-34G F C
12	20	3/4"		2	F BSPP	ISO 1179-1	BSPP 3/4" FEMALE			
08	12,5	1/2"	4	0						2P510-2-34G F C
12	20	3/4"		2	F BSPP	ISO 1179-1	BSPP 3/4" FEMALE			
08	12,5	1/2"	4	2	F BSPP	ISO 1179-1	BSPP 1/2" FEMALE			2P510-4-A F C
12	20	3/4"		2	F BSPP	ISO 1179-1	BSPP 3/4" FEMALE			



Size					Thread Type					MOBILE
dash	mm	inch	Housing	Number of Couplings	Thread Type	Standard	Thread	Electrical N	Connector Type	Part Number
08	12,5	1/2"	4	1	F BSPP	ISO 1179-1	BSPP 1/2" FEMALE			3P510-3-A M C
12	20	3/4"		2	F BSPP	ISO 1179-1	BSPP 3/4" FEMALE			
08	12,5	1/2"	4	1	F BSPP	ISO 1179-1	BSPP 1/2" FEMALE			3P510-2-E M C
12	20	3/4"		1	F BSPP	ISO 1179-1	BSPP 3/4" FEMALE			
08	12,5	1/2"	4	0						3P510-2-34S M C
12	20	3/4"		2	O/ SAE	ISO 11926-1	1-1/16"-12 UN FEMALE ORB			
08	12,5	1/2"	4	1	F BSPP	ISO 1179-1	BSPP 1/2" FEMALE	2	3 PINS & 7 PINS	3P510-1A-2-A MC
12	20	3/4"		1	F BSPP	ISO 1179-1	BSPP 3/4" FEMALE			
08	12,5	1/2"	4	1	F BSPP	ISO 1179-1	BSPP 1/2" FEMALE	1	3 PINS	3P510-1-3-A M C
12	20	3/4"		2	F BSPP	ISO 1179-1	BSPP 3/4" FEMALE			
08	12,5	1/2"	4	2	O/ SAE	ISO 11926-1	1-1/16"-12 UN FEMALE ORB			2P510-4-N M C
12	20	3/4"		2	O/ SAE	ISO 11926-1	3/4"-16 UNF FEMALE ORB			
08	12,5	1/2"	4	1	F BSPP	ISO 1179-1	BSPP 1/2" FEMALE			2P510-3-A M C
12	20	3/4"		2	F BSPP	ISO 1179-1	BSPP 3/4" FEMALE			
08	12,5	1/2"	4	1	F BSPP	ISO 1179-1	BSPP 1/2" FEMALE			2P510-2-A M C
12	20	3/4"		1	F BSPP	ISO 1179-1	BSPP 3/4" FEMALE			
08	12,5	1/2"	4	0						2P510-2-34S M C
12	20	3/4"		2	O/ SAE	ISO 11926-1	1-1/16"-12 UN FEMALE ORB			
08	12,5	1/2"	4	1	O/ SAE	ISO 11926-1	1-1/16"-12 UN FEMALE ORB	1	3 PINS	2P510-1-3-I M C
12	20	3/4"		2	O/ SAE	ISO 11926-1	3/4"-16 UNF FEMALE ORB			
08	12,5	1/2"	4	1	F BSPP	ISO 1179-1	BSPP 1/2" FEMALE	1	3 PINS	2P510-1-3-A1 MC
12	20	3/4"		2	F BSPP	ISO 1179-1	BSPP 3/4" FEMALE			
08	12,5	1/2"	4	2	F BSPP	ISO 1179-1	BSPP 1/2" FEMALE			3P510-4-A M C
12	20	3/4"		2	F BSPP	ISO 1179-1	BSPP 3/4" FEMALE			
08	12,5	1/2"	4	0						2P510-2-34G M C
12	20	3/4"		2	F BSPP	ISO 1179-1	BSPP 3/4" FEMALE			
08	12,5	1/2"	4	0						3P510-2-34G M C
12	20	3/4"		2	F BSPP	ISO 1179-1	BSPP 3/4" FEMALE			
08	12,5	1/2"	4	2	F BSPP	ISO 1179-1	BSPP 1/2" FEMALE			2P510-4-A M C
12	20	3/4"		2	F BSPP	ISO 1179-1	BSPP 3/4" FEMALE			



F



O/