

## content

### test couplings



#### series M16x2

- valve function by ball – zinc nickel, transparent
- valve function by piston – zinc nickel, transparent
- valve function by piston – for inert gases
- connectors and adaptors – zinc nickel, transparent
- valve function by piston – stainless steel

page f. 2  
page f. 8  
page f. 14  
page f. 19  
page f. 24



#### series M16x1,5

- valve function by ball – zinc nickel, black
- valve function by piston – zinc nickel, black
- valve function by piston – stainless steel (upon request)
- connectors and adaptors – zinc nickel, black

page f. 29  
page f. 34  
page f. 39



#### series S12x1,5

- valve function by piston – zinc nickel, transparent
- connectors and adaptors – zinc nickel, transparent

page f. 41  
page f. 45



#### series Steck

- valve function by ball – zinc nickel, transparent
- connectors and adaptors – zinc nickel, transparent

page f. 47  
page f. 50



#### test box

- Spradow Test Box with 2 and more pressure gauges  
Standard equipment or according to your specifications

page f. 52



#### pressure gauges

- NG63, G1/4 A bottom, different pressure stages
- NG63, 1/4 NPT bottom, different pressure stages

page f. 54  
page f. 54



#### hoses and connectors DN2 and DN4

- hose material
- hose end fittings

page f. 55  
page f. 57

#### adaptor and accessories

- fittings BE and GE as single parts
- fittings RED (reducer) as single parts
- caps and weld-on nipple

page f. 60  
page f. 61  
page f. 62

#### annex

- port connection and seals
- definition of the hose assembly length

page f. 63  
page f. 64

### Application:

Spradow test couplings are applied for the monitoring and control pressure as well as the ventilation. The advantages of this system are - among other - connection at system pressure level, the easy connection to measurement control and switching devices, the leakproof connection and the integrated vibration security of the metal cap.

### Media:

Hydraulic oils and mineral based fluids.  
(Please check compatibility of seal material.)

### Materials:

Metal parts: Steel, Stainless steel upon request  
Seals: NBR (-20 °C to +100 °C)  
FKM (-20 °C to +200 °C)  
EPDM (-40 °C to +150 °C)  
Hose: Polyamide (-35 °C to +100 °C)

### Surface:

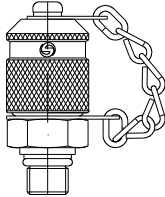
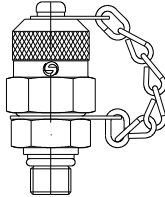
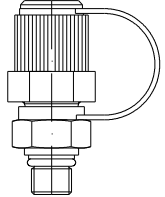
Zinc nickel, transparent, CrVI-free.

### Pressure:

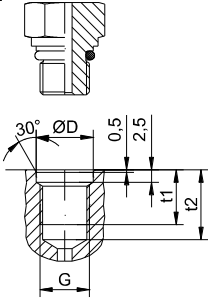
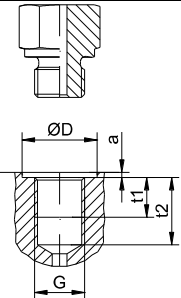
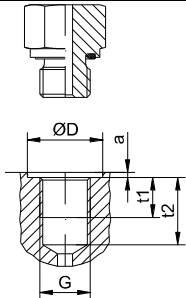
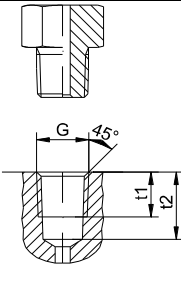
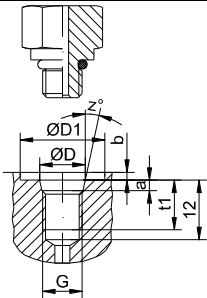
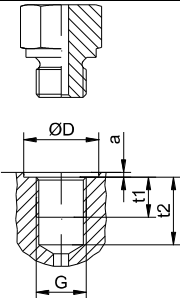
Maximum working pressure (PN) of the test couplings - 630 bar, at 4-fold security. Connection under pressure up to 400 bar. For the union pieces please observe the instructions given by the corresponding producer.



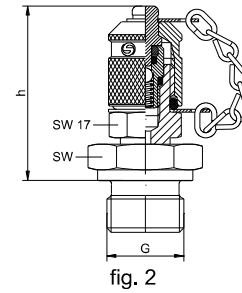
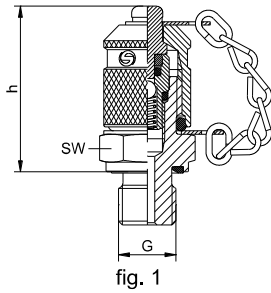
## design types of caps

type B (round)	type A (universal)	type A (universal) plastic
		
standard: incl. vibration security		(temperature range -20°C to +100°C)

## port connection and seals

type 1	type 2	type 3	type 4	type 5	type 6
					
Design types of port connection and seals please see annex.					

## test coupling series M16x2 – valve function by ball



G	PN	SW	h	fig.	sealing	part number (NBR)	part number (FKM)
M8x1	250	17	38	1	o-ring type 1	1-906-20-21-600-CF	1-906-20-22-600-CF
M8x1		17	38	1	metallic sealing type 2	1-906-20-30-600-CF	1-906-20-32-600-CF
M10x1	630	17	38	1	o-ring type 1	1-906-22-21-600-CF	1-906-22-22-600-CF
M10x1	400	17	38	1	metallic sealing type 2	1-906-22-30-600-CF	1-906-22-32-600-CF
M10x1	400	17	39	1	soft sealing type 3	1-906-22-11-600-CF	1-906-22-12-600-CF
M10x1		17	38	1	metallic sealing type 6	1-906-22-40-600-CF	1-906-22-42-600-CF
M10x1,25		17	38	1	o-ring type 1	1-906-49-21-600-CF	1-906-49-22-600-CF
M10x1,25		17	38	1	soft sealing type 3	1-906-49-11-600-CF	1-906-49-12-600-CF
M12x1,5	630	17	38	1	metallic sealing type 2	1-906-23-30-600-CF	1-906-23-32-600-CF
M12x1,5	630	17	39	1	soft sealing type 3	1-906-23-11-600-CF	1-906-23-12-600-CF
M14x1,5	630	19	37	1	metallic sealing type 2	1-906-24-30-600-CF	1-906-24-32-600-CF
M14x1,5	630	19	37	1	soft sealing type 3	1-906-24-11-600-CF	1-906-24-12-600-CF
M14x1,5	630	19	38	1	o-ring type 5	1-906-24-61-600-CF	1-906-24-62-600-CF
M16x1,5	630	22	37	1	metallic sealing type 2	1-906-25-30-600-CF	1-906-25-32-600-CF
M16x1,5	630	22	37	1	soft sealing type 3	1-906-25-11-600-CF	1-906-25-12-600-CF
M18x1,5	24	39	39	1	metallic sealing type 2	1-906-26-30-600-CF	1-906-26-32-600-CF
M18x1,5	24	39	39	1	soft sealing type 3	1-906-26-11-600-CF	1-906-26-12-600-CF
M20x1,5	27	39	39	1	metallic sealing type 2	1-906-51-30-600-CF	1-906-51-32-600-CF
M20x1,5	27	39	39	1	soft sealing type 3	1-906-51-11-600-CF	1-906-51-12-600-CF
M22x1,5	27	39	39	1	metallic sealing type 2	1-906-27-30-600-CF	1-906-27-32-600-CF
M22x1,5	27	39	39	1	soft sealing type 3	1-906-27-11-600-CF	1-906-27-12-600-CF
M26x1,5	32	49	49	2	metallic sealing type 2	1-911-52-30-600-CF	1-911-52-32-600-CF
M27x2	36	49	49	2	metallic sealing type 2	1-911-53-30-600-CF	1-911-53-32-600-CF
M33x2	41	49	49	2	metallic sealing type 2	1-911-54-30-600-CF	1-911-54-32-600-CF
M42x2	50	50	50	2	metallic sealing type 2	1-911-55-30-600-CF	1-911-55-32-600-CF
M48x2	60	50	50	2	metallic sealing type 2	1-911-56-30-600-CF	1-911-56-32-600-CF
G 1/8	400	17	38	1	metallic sealing type 2	1-906-28-30-600-CF	1-906-28-32-600-CF
G 1/8	400	17	39	1	soft sealing type 3	1-906-28-11-600-CF	1-906-28-12-600-CF
G 1/4	630	19	37	1	metallic sealing type 2	1-906-29-30-600-CF	1-906-29-32-600-CF
G 1/4	630	19	37	1	soft sealing type 3	1-906-29-11-600-CF	1-906-29-12-600-CF
G 1/4		19	37	1	metallic sealing type 6	1-906-29-40-600-CF	1-906-29-42-600-CF
G 3/8	630	22	37	1	metallic sealing type 2	1-906-30-30-600-CF	1-906-30-32-600-CF
G 3/8	630	22	37	1	soft sealing type 3	1-906-30-11-600-CF	1-906-30-12-600-CF
G 1/2	27	39	39	1	metallic sealing type 2	1-906-31-30-600-CF	1-906-31-32-600-CF
G 1/2	630	27	39	1	soft sealing type 3	1-906-31-11-600-CF	1-906-31-12-600-CF
G 3/4	32	40	40	1	metallic sealing type 2	1-906-32-30-600-CF	1-906-32-32-600-CF
G 1	41	48	48	2	metallic sealing type 2	1-911-57-30-600-CF	1-911-57-32-600-CF
G 1 1/4	50	50	50	2	metallic sealing type 2	1-911-58-30-600-CF	1-911-58-32-600-CF
G 1 1/2	60	50	50	2	metallic sealing type 2	1-911-59-30-600-CF	1-911-59-32-600-CF
Rk 1/8*	400	17	36	1	thread type 4	1-906-33-00-600-CF	1-906-33-02-600-CF
Rk 1/4*	630	17	35	1	thread type 4	1-906-34-00-600-CF	1-906-34-02-600-CF
Rk 3/8*	19	35	35	1	thread type 4	1-906-35-00-600-CF	1-906-35-02-600-CF
5/16-24 UNF	400	17	38	1	o-ring type 5	1-906-38-30-600-CF	1-906-38-32-600-CF
7/16-20 UNF	630	17	38	1	o-ring type 5	1-906-39-30-600-CF	1-906-39-32-600-CF
1/2-20 UNF	630	17	38	1	o-ring type 5	1-906-61-30-600-CF	1-906-61-32-600-CF
9/16-18 UNF	630	19	38	1	o-ring type 5	1-906-40-30-600-CF	1-906-40-32-600-CF
3/4-16 UNF	630	27	40	1	o-ring type 5	1-906-41-30-600-CF	1-906-41-32-600-CF
1/8 NPT	400	17	36	1	thread type 4	1-906-43-00-600-CF	1-906-43-02-600-CF
1/4 NPT	630	17	35	1	thread type 4	1-906-44-00-600-CF	1-906-44-02-600-CF
3/8 NPT	19	36	36	1	thread type 4	1-906-45-00-600-CF	1-906-45-02-600-CF
1/2 NPT	22	37	37	1	thread type 4	1-906-46-00-600-CF	1-906-46-02-600-CF

For metal cap type A (universal) with vibration security, replace 600 by

590

590

For metal cap type B (round) **without vibration security**, replace 600 by

020

020

For metal cap type A (universal) **without vibration security**, replace 600 by

010

010

For yellow plastic cap type A (universal) **without vibration security**, replace 600 by

100

100

\*acc. DIN3858

Other dimensions on request. We reserve the right to change the technical performance. All dimensions in mm.