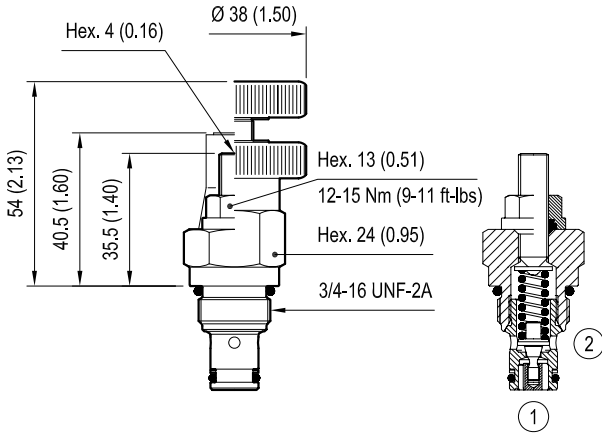
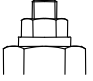
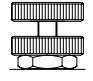
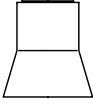


VSNB-08A code 04.11.49-X-56-Z

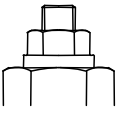
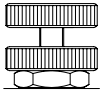


X		VSNB-08A ADJUSTMENTS
03	Leakproof hex. socket screw	
04	Handknob and locknut	

OPTIONS	
Ordering code	Description
11.04.23.002	 Tamper resistant cap

For other details see data sheet RE 18318-04

[mm (inches)]

Z		SPRINGS		
		Adjust pressure range bar (psi)	Pressure increase bar (psi)	Standard setting bar (psi) Q = 5 l/min
	04	10-70 (145-1000)	26 (375)	50 (725)
	10	35-140 (500-2000)	50 (725)	100 (1450)
	20	105-210 (1500-3000)	79 (1145)	200 (2900)
	35	175-350 (2500-5000)	170 (2465)	350 (5000)
	35	35-350 (500-5000)	72 (1044)	200 (2900)

Performance graph

