

RE 18332-70/12.09
Replaces: RE 00199/11.07

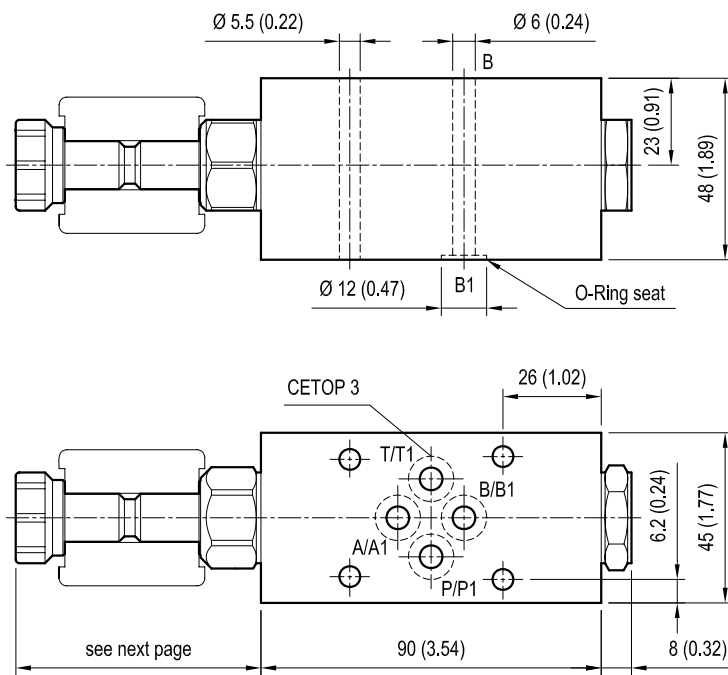
1/4

Sandwich valves, module with solenoid valve

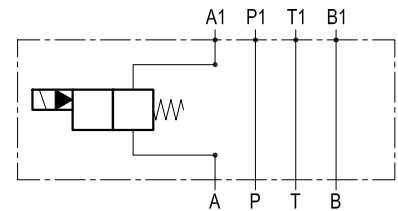
EM-VEI8A/8I-CETOP3-A

OP . 14 - K - 18 - 29 - Y

Dimensions



[mm (inches)]



Cartridge schemes

monodirectional type	bidirectional type

Technical data

Max flow: up to 40 l/min (11 gpm)

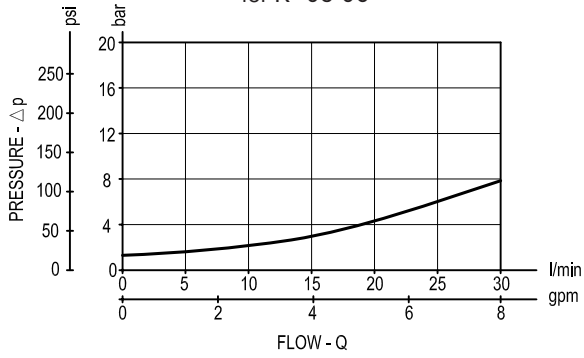
Max operating pressure: 210 bar (3000 psi)

Standard manifolds in high strength **aluminium**.

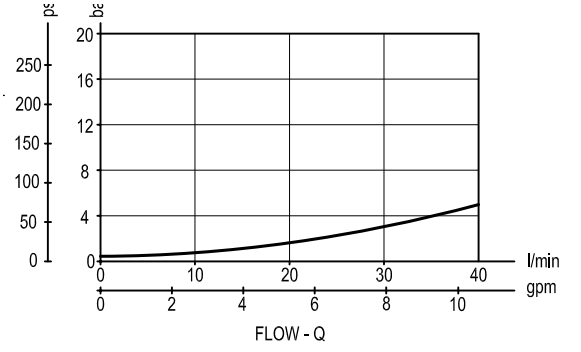
For working pressure up to 350 bar (5000 psi) and for fatigue applications with any working pressure, steel manifolds are available upon request.

Performance graphs

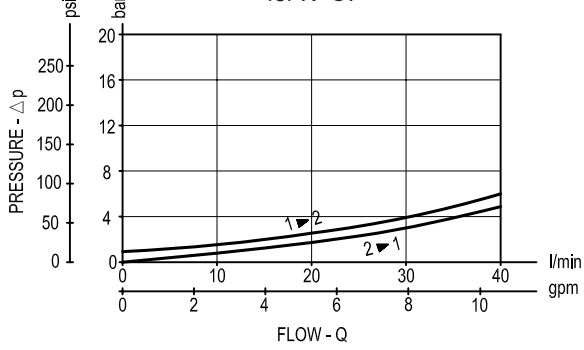
30 l/min (8 gpm)
for K=05-06



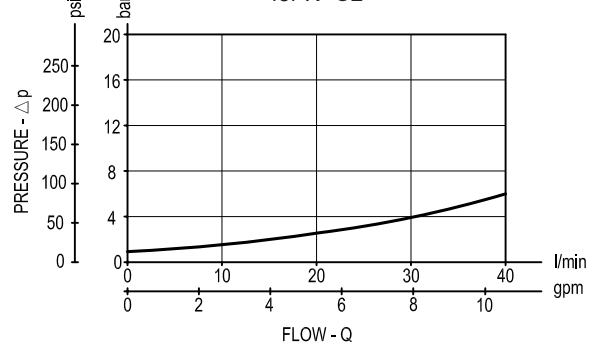
40 l/min (11 gpm)
for K=05-06



40 l/min (11 gpm)
for K=31



40 l/min (11 gpm)
for K=32



Ordering code

OP:14	K	18	29	Y
-------	---	----	----	---

**Sandwich valves
module with solenoid valve**

Cartridge scheme (see page 1 and 2)

= 05

= 06

= 31

= 32

Bidirectional

Rated flow (see table on page 2)

Common cavity Size 08

Flange CETOP 3 (DOT3)

Preferred types (readily available)

Type	Material number
OP140518293A00	R934002682
OP140518293B00	R934002683
OP140518293D00	R934002684
OP140618291B00	R934002686
OP143118293A00	R934002687
OP143118293B00	R934002688
OP143118293C00	R934002689
OP143218291A00	R934002690

Type	Material number

Further types available by request