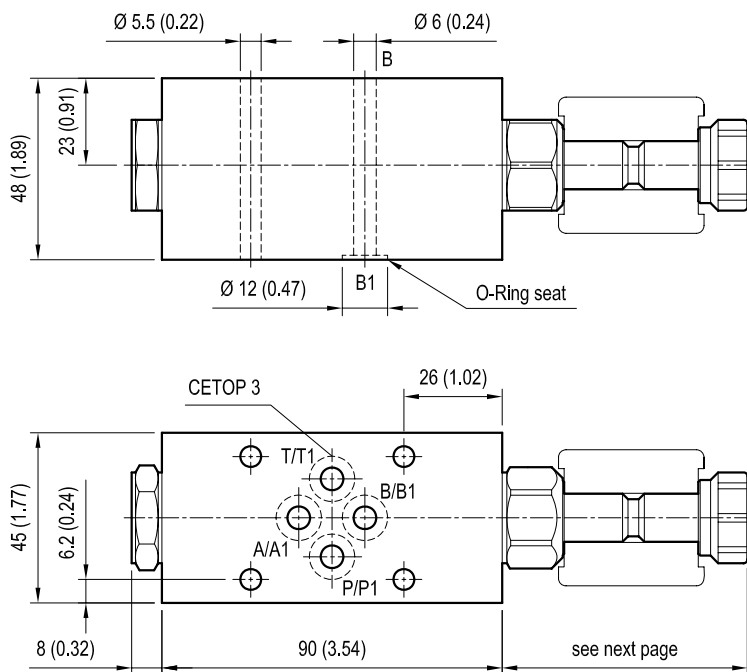


Sandwich valves, module with solenoid valve

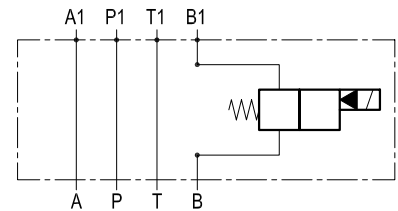
EM-VEI8A/8I-CETOP 3-B

OP.16 - K - 18 - 29 - Y

Dimensions



[mm (inches)]



Cartridge schemes

monodirectional type	bidirectional type

Technical data

Max flow: up to 40 l/min (11 gpm)

Max operating pressure: 210 bar (3000 psi)

Standard manifolds in high strength **aluminium**.

For working pressure up to 350 bar (5000 psi) and for fatigue applications with any working pressure, steel manifolds are available upon request.

Performance graphs

