

RE 18318-01/09.09

1/2

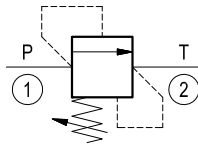
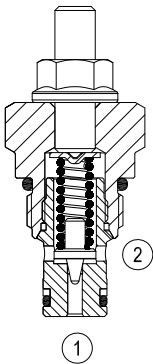
Replaces: RE 00162-02/01.06

Relief, direct acting poppet type

Common cavity, Size 08

VSAN-08A

04.11.48 - X - 56 - Z



Description

Flow is blocked from 1 to 2 until pressure increases to meet the selected valve setting, lifting the poppet from its seat and allowing relief flow through port 2 to tank. Pressure at port 2 is additive to the relief setting of the valve. The cartridge is especially suited for pilot or thermal relief applications.

Technical data

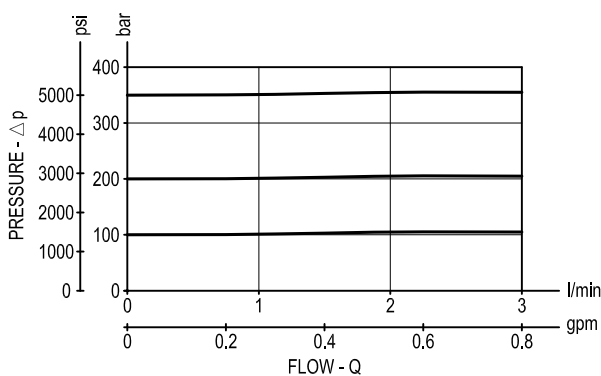
Max. operating pressure port 1 (P)	bar (psi)	350 (5000); for X=03 420 (6000)
Max. pressure admitted port 2 (T)	bar (psi)	140 (2000)
Max. flow	l/min. (gpm)	3 (0.8)
Max. internal leakage (*)	drops/min.	15
Fluid temperature range	°C (°F)	-30 to 100 (-22 to 212)
Installation torque	Nm (ft-lbs)	34-41 (25-30)
Weight (**)	kg (lbs)	0.14 (0.31)
Cavity		CA-08A-2N see data sheet RE 18325-70
Line bodies		See data sheet RE 18325-85
Seal kit (***)	code material no.	RG08A2010520100 R901101437
Fluids		Mineral-based or synthetics with lubricating properties at viscosities of 10 to 500 mm ² /s (cSt)
Filtration		Nominal value max. 10µm (NAS 8) ISO 4406 19/17/14
Installation		No restrictions
Other general technical data		See data sheet RE 18350-50

(*) Max. to 80% of nominal setting

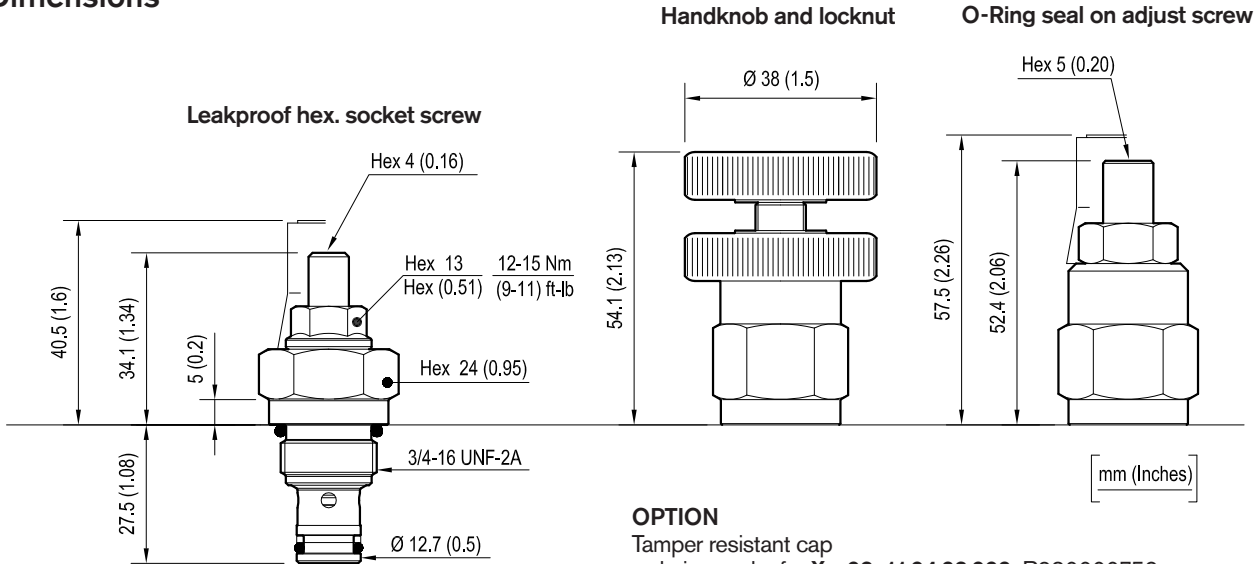
(**) Standard version X=03 type

(***) Only external seals for 10 valves

Performance



Dimensions



OPTION
 Tamper resistant cap
 ordering code: for **X= 03 11.04.23.002** R930000752
 for **X= 73 11.04.23.004** R930001411

Ordering code

04.11.48	X	56	Z	00	*
-----------------	----------	-----------	----------	-----------	----------

Relief, direct acting poppet type

Series O/A to L
 unchanged performances and dimensions

Version and options standard

- Adjustments
- = **03** Leakproof hex. socket screw
 - = **04** Handknob and locknut
 - = **73** O-Ring seal on adjust screw

Common cavity, Size 08

SPRINGS

		Adj. press. range bar (psi)	Pressure incre- ase bar/turn (psi/turn)	Std. setting bar (psi) Q=1 l/min
for X= 03	= 10	35-140 (500-2000)	48 (696)	100 (1450)
	= 20	105-210 (1500-3000)	88 (1276)	200 (2900)
	= 35	140-420 (2000-6000)	140 (2030)	350 (5000)
for X= 04	= 35	35-350 (500-5000)	68 (986)	350 (5000)
for X= 73	= 35	35-350 (500-5000)	68 (986)	350 (5000)

Note: Special settings available. Contact factory authorized representative for ordering code

Type	Material number
041148035610000	R901104094
041148035620000	R901104097
041148035635000	R901104099
041148045635000	R901104100
041148735635000	R901161970

Type	Material number