

RE 18320-11/01.10

1/2

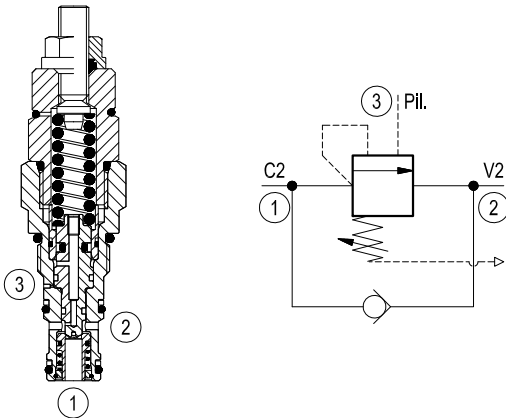
Replaces: RE 00162-02/01.06

# Counterbalance, vented guided poppet type

## Common cavity, Size 08

VBST-08AA

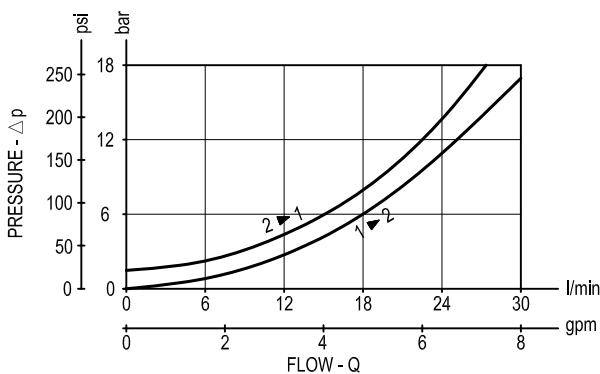
04.59.08 - X - 56 - Z



### Description

When pressure at 2 rises above the spring bias pressure, the check seat is pushed away from the piston and flow is allowed from 2 to 1. When load pressure at 1 rises above the pressure setting, the direct-acting, relief function is activated and flow is relieved from 1 to 2. With pilot pressure at 3, the pressure setting is reduced in proportion to the stated ratio of the valve, until fully open with free-flow from 1 to 2. The spring chamber is vented to atmosphere allowing operation of all functions independent of back-pressure at 2.

### Performance



### Technical data

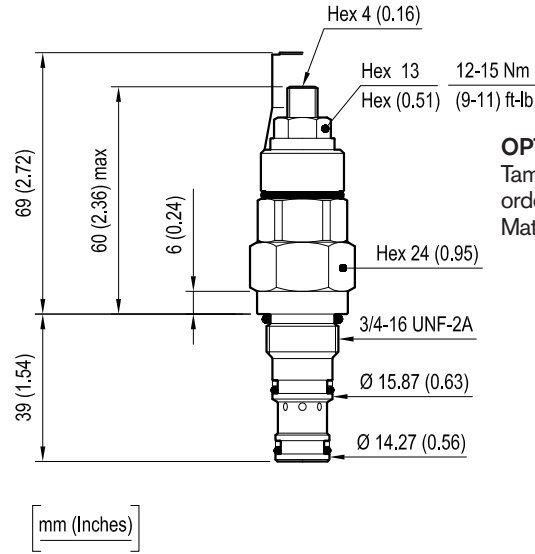
Max. operating pressure	bar (psi)	350 (5000)
Max. flow	l/min. (gpm)	30 (8)
Max. internal leakage (*)	drops/min.	15
Fluid temperature range	°C (°F)	-30 to 100 (-22 to 212)
Installation torque	Nm (ft-lbs)	34-41 (25-30)
Weight	kg (lbs)	0.19 (0.42)
Cavity		CA-08A-3C see data sheet RE 18325-70
Line bodies		See data sheet RE 18325-85
Seal kit (**)	code material no.	RG08A9010520100 R901101592
Fluids		Mineral-based or synthetics with lubricating properties at viscosities of 10 to 500 mm <sup>2</sup> /s (cSt)
Filtration		Nominal value max. 10µm (NAS 8) ISO 4406 19/17/14
Installation		No restrictions
Other Technical Data		See data sheet RE 18350-50

Pressure setting: at least 1.3 times the load induced pressure.

(\*) At 70% of pressure setting

(\*\*) Only external seals for 10 valves

**Dimensions**



**OPTION**

Tamper resistant cap  
 ordering code **11.04.23.002**  
 Mat. no. **R930000752**

**Ordering code**

<b>04.59.08</b>	<b>X</b>	<b>56</b>	<b>Z</b>	<b>00</b>	<b>*</b>
-----------------	----------	-----------	----------	-----------	----------

Counterbalance, vented guided poppet type

Series 0/A to L  
 unchanged performances and dimensions

**Version and options standard**

Pilot ratio

= **03** 4:1

Common cavity, Size 08

**SPRINGS**

	Adj. press. range bar (psi)	Pressure increase bar/turn (psi/turn)	Std. setting bar (psi) Q=5 l/min
= <b>20</b>	100-210 (1450-3000)	109 (1581)	200 (2900)
= <b>35</b>	200-350 (2900-5000)	137 (1987)	350 (5000)

**Note:** Special settings available. Contact factory authorized representative for ordering code

Type	Material number
04590803562000B	R901096065
04590803563500B	R901096066

Type	Material number