

RE 18308-15/04.10

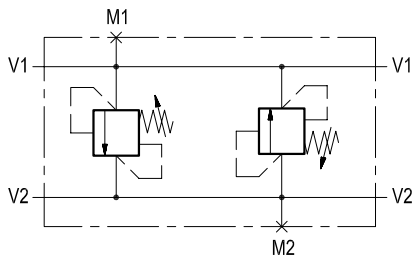
1/2

Replaces: RE 00171/02.07

# Dual cross over relief, direct acting

VSDI-30

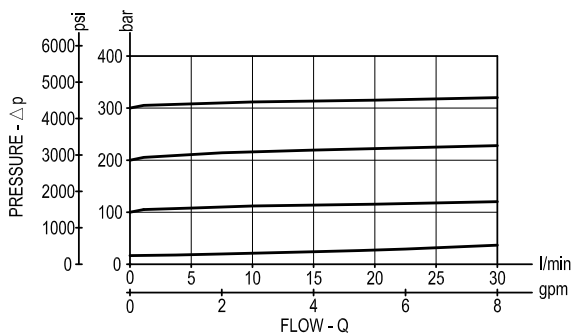
05.16.03 - X - Y - Z



## Description

It relieves the inlet pressure from either one of the supply lines and it protects motors or hydraulic actuators from shocks or pressure surges induced by changes in direction or by sudden stops. The dual relief is of the cross over type, and exhausted oil is transferred to the other line (from V1 into V2 and vice-versa), without the necessity of a separate tank line: this feature also prevents cavitation when used in conjunction with closed centre directional valve.

## Performance



## Technical data

### Hydraulic

Operating pressure	bar (psi)	up to 210 (3000)
--------------------	-----------	------------------

Max. flow	l/min (gpm)	30 (8)
-----------	-------------	--------

For relief cartridge details, see RE 18318-23 (VS-30 041118X99Z)

Each cartridge can be individually pressure set. For best protection, the valve should be fitted as close to the actuator as possible.

### General

Manifold material	Aluminium
-------------------	-----------

Note: aluminium bodies are often strong enough for operating pressures exceeding 210 bar (3000 psi), depending from the fatigue life expected in the specific application. If in doubt, consult our Service Network.

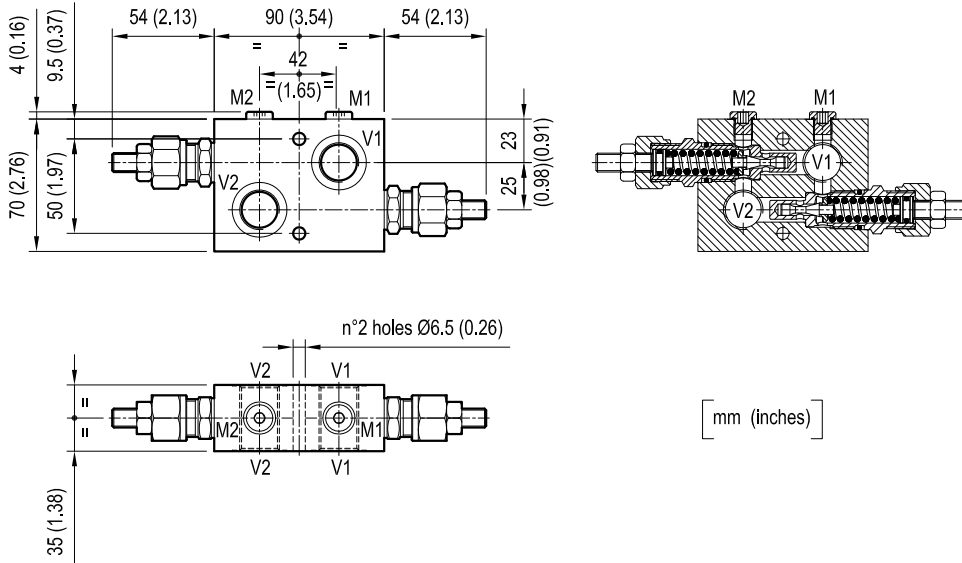
Weight	kg (lbs)	0.79 (1.74)
--------	----------	-------------

Fluid temperature range	°C (°F)	between -30 (-22) and +100 (212)
-------------------------	---------	----------------------------------

Other technical data	see data sheet RE 18350-50
----------------------	----------------------------

**Note:** for applications outside these parameters, please consult us.

Dimensions




Ordering code

<b>05.16.03</b>	<b>X</b>	<b>Y</b>	<b>Z</b>
-----------------	----------	----------	----------


Dual cross over relief

Adjustments

= 03 Leakproof hex. socket screw 

Port sizes	V1 - V2	M1 - M2	
= 02	G 3/8	G 1/8	
= 03	G 1/2	G 1/8	

	SPRINGS		
	Adj. pressure range bar (psi)	Pres. increase bar/turn (psi/turn)	Std. setting Q=5 (l/min.) bar (psi)
= 05	5-50 (75-725)	12 (174)	50 (725)
= 10	30-100 (435-1450)	24 (348)	100 (1450)
= 20	50-210 (725-3000)	47 (682)	200 (2900)
= 35	100-350 (1450-5000)	82 (1189)	350 (350)

Tamper resistant cap  
code 11.04.23.003  
R930000754 

Type	Material number
051603030205000	R930001351
051603030210000	R930001353
051603030220000	R930001354
051603030235000	R930001358
051603030305000	R930001361
051603030310000	R930001362
051603030320000	R930001363
051603030335000	R930001365

Type	Material number