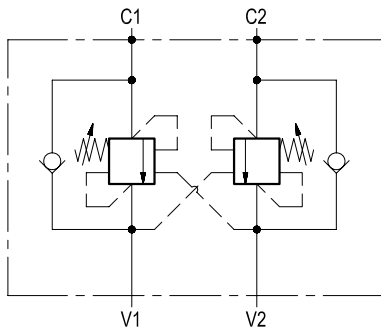


**RE 18307-64/04.10** 1/2  
Replaces: RE 00171/02.07

# Dual counterbalance

VBSO-DE-FC2

05.42.06 - X - Y - Z



## Description

It provides static and dynamic control of load by regulating the flow IN and OUT of the actuator, through ports C1 and C2. This valve module includes 2 sections, each one composed by a check and a relief valve pilot assisted by pressure in the opposite line: the check section allows free flow into the actuator, then holds the load against reverse movement; with pilot pressure applied at the line across, the pressure setting of the relief is reduced in proportion to the stated ratio until opening and allowing controlled reverse flow. Back-pressure at V1 or V2 is additive to the pressure setting in all functions. For better safety and compact assembly, the C1 and C2 port are gasket mounted directly on the actuator.

## Technical data

### Hydraulic

Operating pressure	bar (psi)	up to 210 (3000)
Max. flow	l/min (gpm)	120 (32)

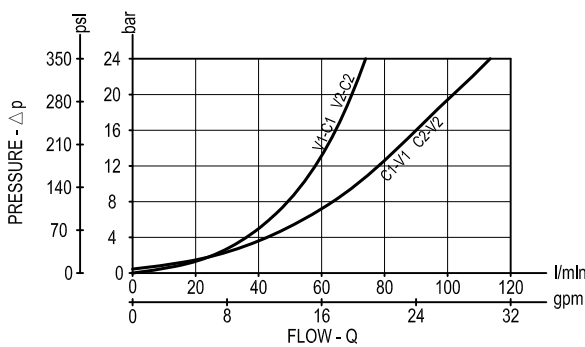
Relief setting: at least 1.3 times the highest expected load.

### General

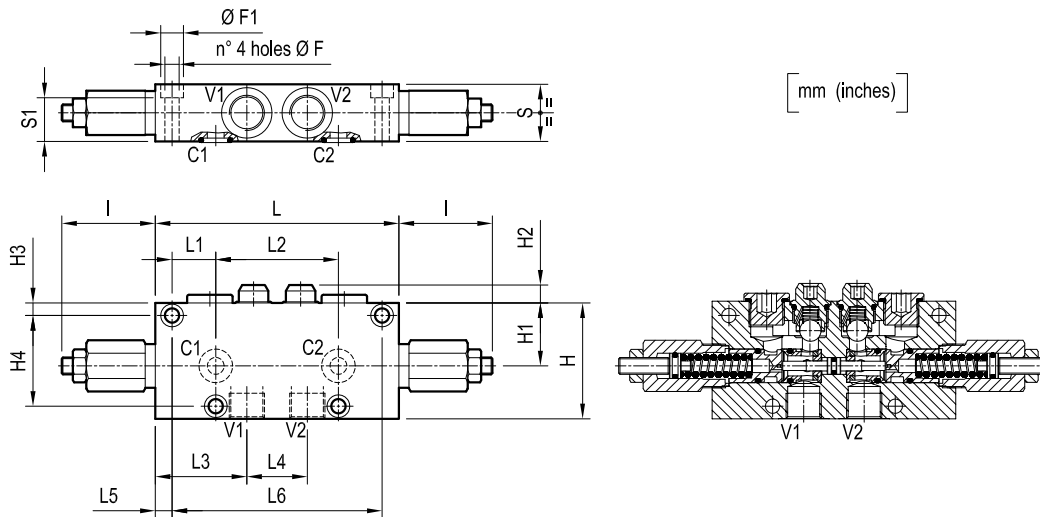
Manifold material	Aluminium	
Note: aluminium bodies are often strong enough for operating pressures exceeding 210 bar (3000 psi), depending from the fatigue life expected in the specific application. If in doubt, consult our Service Network.		
Weight	see "Dimensions"	
Fluid temperature range	°C (°F)	between -30 (-22) and +100 (212)
Other technical data	see data sheet RE 18350-50	

**Note:** for applications outside these parameters, please consult us.

## Performance



Dimensions



39 (1.54)	29 (1.14)	155 (6.1)	10 (0.39)	50 (1.97)	62.5 (2.46)	100 (3.94)	27.5 (1.08)	175 (6.89)	56 (2.21)	70 (2.76)	10 (0.39)	11 (0.43)	52 (2.05)	90 (3.54)	10.5 (0.41)	16.5 (0.65)	G 3/4	2.2 (4.9)
34 (1.34)	26 (1.02)	125 (4.92)	10 (0.39)	36 (1.42)	54.5 (2.15)	73 (2.87)	26 (1.02)	145 (5.71)	56 (2.21)	54 (2.13)	7.5 (0.3)	11 (0.43)	37.5 (1.48)	69 (2.72)	8.5 (0.34)	13.5 (0.53)	G 1/2	1.4 (3.09)
S	S1	L6	L5	L4	L3	L2	L1	L	I	H4	H3	H2	H1	H	F	F1	Y	Weight kg (lbs)

Ordering code

**05.42.06 X Y Z**

Dual counterbalance

Pilot ratio

= 03 8.2:1

= 10 3.2:1

Port sizes

V1-V2

C1-C2

= 03

G 1/2

Ø 10 (0.39)

= 04

G 3/4

Ø 14 (0.55)

SPRINGS		
Adj. pressure range bar (psi)	Pres. increase bar/turn (psi/turn)	Std. setting Q=5 (l/min.) bar (psi)
= 35 120-350 (1750-5000)	106 (1537)	350 (5000)

Type	Material number
05420603033500A	R930001803
05420603043500A	R930001805
05420610033500A	R930001806
054206100435000	R930001807

Type	Material number