

RE 18307-18/04.10

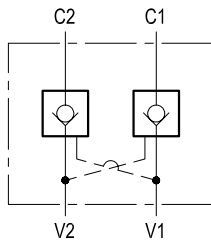
1/2

Replaces: RE 00171/02.07

Pilot operated check, dual

VSO-DE

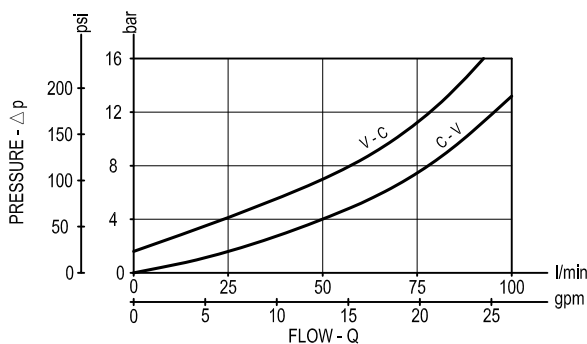
05.53.01 - X - 04 - Z



Description

Flow is allowed to pass in one direction (V1 to C1 or V2 to C2), then the valve remains closed (checked) in both reverse directions (C1 to V1 or C2 to V2) in order to hold and lock in position the cylinder or other actuators; reverse flow is possible only when sufficient pilot pressure is applied at V2 or V1, which act as cross connected pilot ports, and the pilot piston lifts the poppet from its seat overcoming cylinder port pressure.

Performance



Technical data

Hydraulic

Operating pressure	bar (psi)	up to 210 (3000)
Max. flow	l/min (gpm)	100 (26)
Pilot ratio		4 : 1

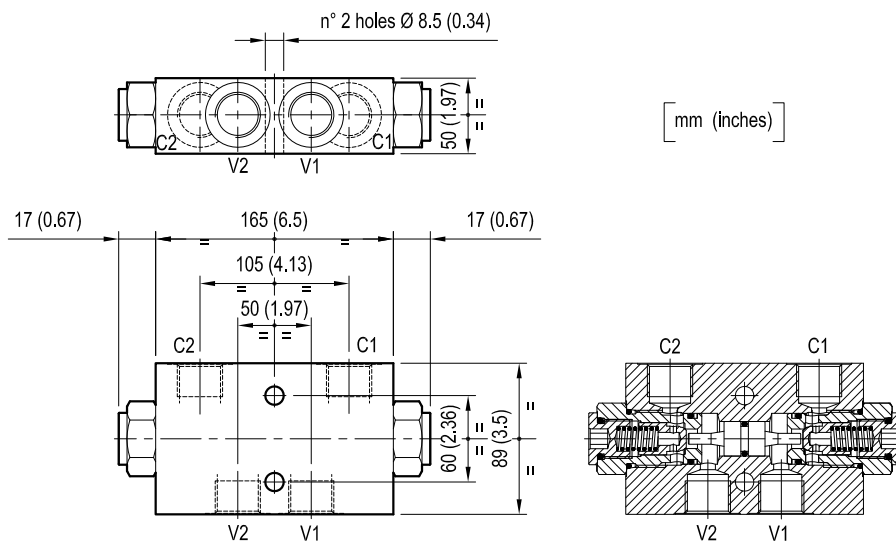
The version with O-Ring and heavier spring is generally recommended.

General

Manifold material		Aluminium
Note: aluminium bodies are often strong enough for operating pressures exceeding 210 bar (3000 psi), depending from the fatigue life expected in the specific application. If in doubt, consult our Service Network.		
Weight	kg (lbs)	2.55 (5.6)
Fluid temperature range	°C (°F)	between -30 (-22) and +100 (212)
Other technical data		see data sheet RE 18350-50

Note: for applications outside these parameters, please consult us.

Dimensions



Ordering code

05.53.01	X	04	Z
----------	---	----	---

Pilot operated check, dual	
O-Ring on pilot piston	
= 00	No O-Ring
= 10	With O-Ring

		SPRINGS
		Cracking pressure bar (psi)
= 00	only for X=00	1.5 (22)
= 01	for X=00 and X=10	8 (116)

Port sizes	V1 - V2	C1 - C2	
	G 3/4	G 3/4	

Type	Material number
055301000400000	R930002396
055301000401000	R930002397
055301100401000	R930002403

Type	Material number