

RE 18307-20/04.10

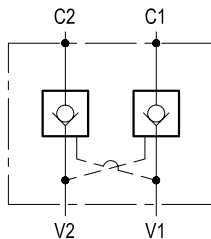
1/2

Replaces: RE 00171/02.07

Pilot operated check, dual

VSO-DE-FC2

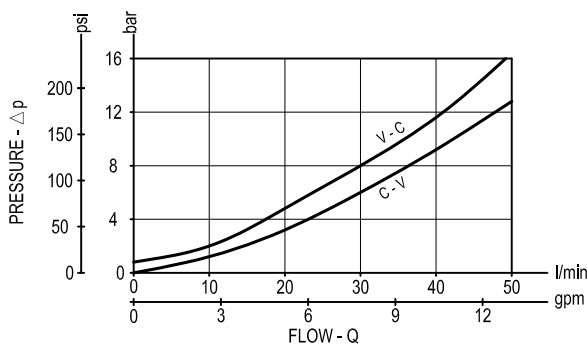
05.53.02 - X - Y - Z



Description

Flow is allowed to pass in one direction (V1 to C1 or V2 to C2), then the valve remains closed (checked) in both reverse directions (C1 to V1 or C2 to V2) in order to hold and lock in position the cylinder or other actuators; reverse flow is possible only when sufficient pilot pressure is applied at V2 or V1, which act as cross connected pilot ports, and the pilot piston lifts the poppet from its seat overcoming cylinder port pressure. For better safety and compact assembly, C1 and C2 ports are flanged (gasket mounted) directly on the actuator.

Performance



Technical data

Hydraulic

Operating pressure	bar (psi)	up to 210 (3000)
Max. flow	l/min (gpm)	50 (13)

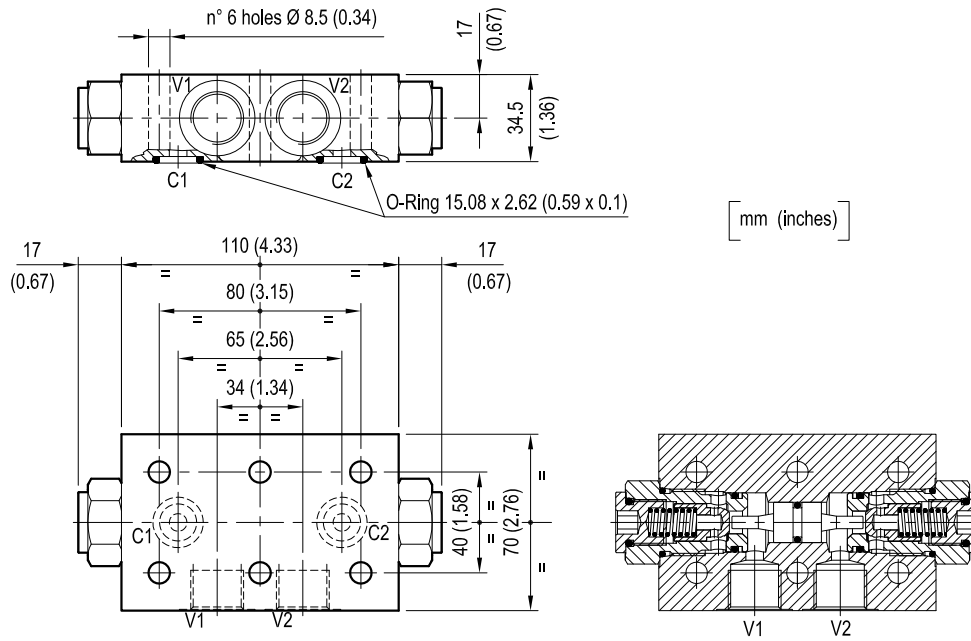
The version with O-Ring and heavier spring is generally recommended.

General

Manifold material	Aluminium	
Note: aluminium bodies are often strong enough for operating pressures exceeding 210 bar (3000 psi), depending from the fatigue life expected in the specific application. If in doubt, consult our Service Network.		
Weight	kg (lbs)	1.06 (2.34)
Fluid temperature range	°C (°F)	between -30 (-22) and +100 (212)
Other technical data	see data sheet RE 18350-50	

Note: for applications outside these parameters, please consult us.

Dimensions



Ordering code

05.53.02 | **X** | **Y** | **Z**

Pilot operated check, dual

O-Ring on pilot piston	Pilot ratio
= 00	No O-Ring 3.2 : 1
= 10	With O-Ring 3.2 : 1
= 25	With O-Ring 6 : 1

Port sizes	V1 - V2	C1 - C2
= 03	G 1/2	Ø 7 (0.28)

SPRINGS	
Cracking pressure bar (psi)	
= 00	only for X=00 1 (15)
= 01	for X=00, X=10 and X=25 8 (116)

Type	Material number
055302000300000	R930002408
055302000301000	R930002409
055302100301000	R930002412
055302250301000	R930002416

Type	Material number