

RE 18307-16/04.10

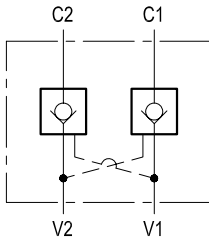
1/2

Replaces: RE 00171/02.07

Pilot operated check, dual

VSO-DE

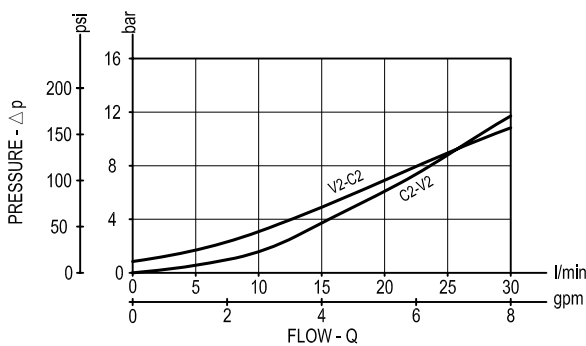
05.53.43 - X - Y - Z



Description

Flow is allowed to pass in one direction (V1 to C1 or V2 to C2), then the valve remains closed (checked) in both reverse directions (C1 to V1 or C2 to V2) in order to hold and lock in position the cylinder or other actuators; reverse flow is possible only when sufficient pilot pressure is applied at V2 or V1, which act as cross connected pilot ports, and the pilot piston lifts the poppet from its seat overcoming cylinder port pressure.

Performance



Technical data

Hydraulic

Operating pressure	bar (psi)	up to 210 (3000)
Max. flow	l/min (gpm)	30 (8)
Pilot ratio		7 : 1

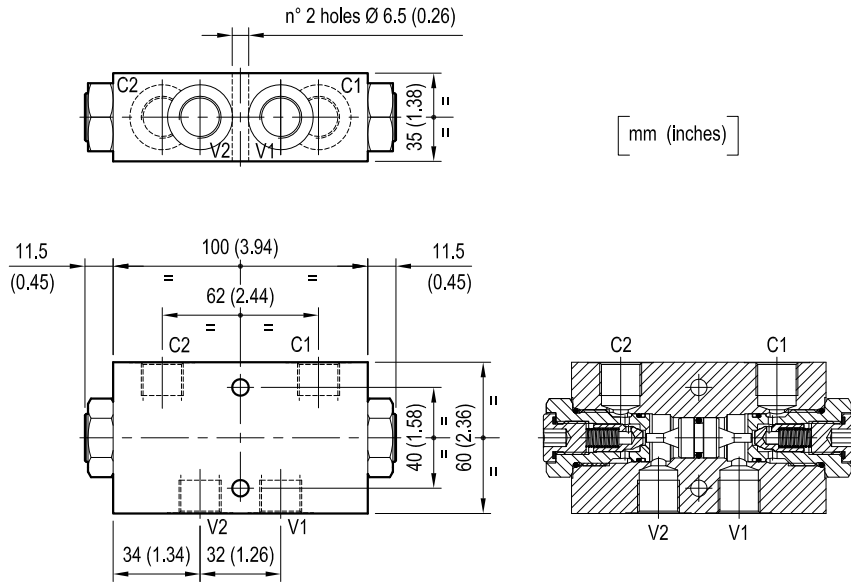
The version with O-Ring and heavier spring is generally recommended.

General

Manifold material	Aluminium	
Note: aluminium bodies are often strong enough for operating pressures exceeding 210 bar (3000 psi), depending from the fatigue life expected in the specific application. If in doubt, consult our Service Network.		
Weight	kg (lbs)	0.9 (1.98)
Fluid temperature range	°C (°F)	between -30 (-22) and +100 (212)
Other technical data	see data sheet RE 18350-50	

Note: for applications outside these parameters, please consult us.

Dimensions



[mm (inches)]

Ordering code

05.53.43	X	Y	Z
-----------------	----------	----------	----------

Pilot operated check, dual

O-Ring on pilot piston

= 00 No O-Ring

= 10 With O-Ring

Port sizes

V1 - V2

C1 - C2

= 97

G 3/8

G 3/8

SPRINGS

Cracking pressure
bar (psi)

= 00	only for X=00	1 (15)
= 01	only for X=10	4.5 (65)

Type	Material number
055343009700000	R930002452
055343109701000	R930002456

Type	Material number