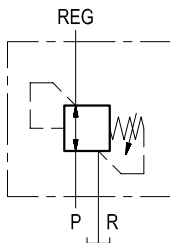


RE 18309-72/04.10 1/2
Replaces: RE 00171/02.07

Pressure reducing and relieving, direct acting spool type

VRP-R

05.90.27 - X - Y - Z



P = Inlet
REG = A (Reduced pressure)
R = T (Tank)

Description

Initially, flow passes freely from P to REG. When the pressure at REG exceeds the pressure setting, the valve acts to restrict input flow at P. This increases the pressure drop through the valve and maintains consistent pressure at REG. The spring chamber is drained to prevent a build-up of back-pressure against the spool. Additionally, if pressure at REG rises above the pressure setting, flow is relieved to R (Tank) until the setting is re-attained.

Technical data

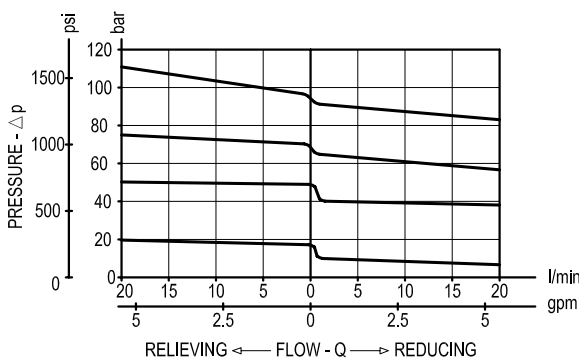
Hydraulic

Max. operating pressure bar (psi) 210 (3000)

Max. flow l/min (gpm) 20 (5)

Max leakage: 10 cc/min (0.6 in³/min) at 90% of pressure setting.

Performance



General

Manifold material Aluminium

Note: aluminium bodies are often strong enough for operating pressures exceeding 210 bar (3000 psi), depending from the fatigue life expected in the specific application. If in doubt, consult our Service Network.

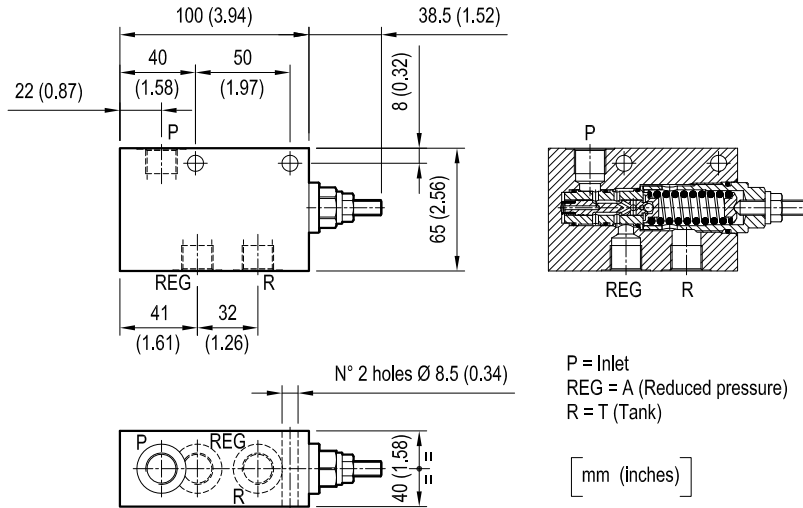
Weight kg (lbs) 0.85 (1.87)

Fluid temperature range °C (°F) between -30 (-22) and +100 (212)

Other technical data see data sheet RE 18350-50

Note: for applications outside these parameters, please consult us.

Dimensions




Ordering code

05.90.27 X Y Z

Pressure reducing and relieving,
direct acting spool type

Adjustments

= 03 Leakproof hex. socket screw 

Port sizes	P	R	REG
= 02	G 3/8	G 3/8	G 3/8

	SPRINGS		
	Adj. pressure range bar (psi)	Pres. increase bar/turn (psi/turn)	Std. setting Q=5 (l/min.) bar (psi)
= 02	2-21 (30-305)	3 (44)	10 (145)
= 04	3-42 (44-610)	5 (73)	20 (290)
= 06	7-63 (102-914)	8 (116)	30 (435)
= 10	11-105 (160-1525)	13 (189)	50 (725)

Type	Material number
05902703020200B	R930002585
05902703020400B	R930002587
05902703020600B	R930002588
05902703021000B	R930002589

Type	Material number