

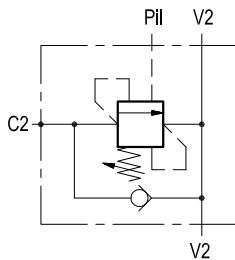
RE 18307-38/04.10 1/2
Replaces: RE 00171/02.07

Single counterbalance



A-VBSO-SE-30-FC1

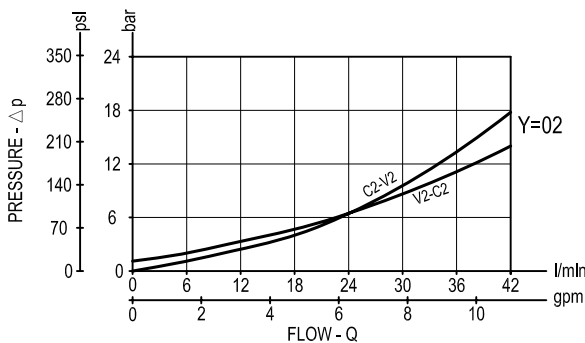
08.41.02 - X - Y - Z



Description

When pressure at V2 rises above the spring bias pressure, the check seat is pushed away from the piston and flow is allowed from V2 to C2. When load pressure at C2 rises above the pressure setting, the direct operated relief function is activated and flow is relieved from C2 to V2. With pilot pressure at P11, the pressure setting is reduced in proportion to the stated ratio of the valve, until opening and allowing flow from C2 to V2. The spring chamber is drained to V2, and back-pressure at V2 is additive to the pressure setting in all functions. For safety and compactness, the C2 port is gasket mounted the actuator.

Performance



Technical data

Hydraulic

Max. operating pressure bar (psi) 350 (5000)

Max. flow l/min (gpm) 40 (11)

Relief setting: at least 1.3 times the highest expected load.

General

Manifold material Steel

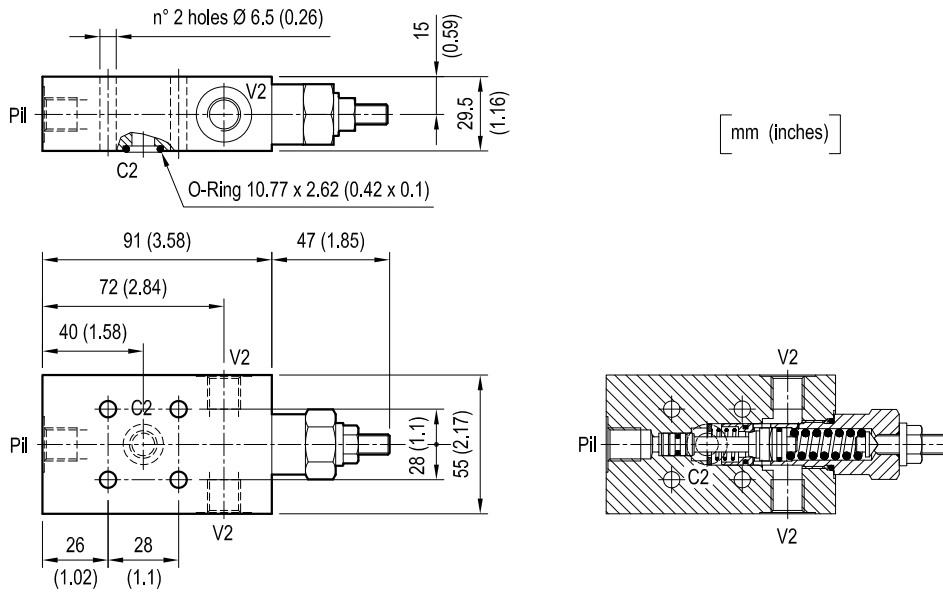
Weight kg (lbs) 1.05 (2.32)

Fluid temperature range °C (°F) between -30 (-22) and +100 (212)

Other technical data see data sheet RE 18350-50

Note: for applications outside these parameters, please consult us.

Dimensions



Ordering code

08.41.02	X	Y	Z
-----------------	----------	----------	----------

Single counterbalance

Pilot ratio

= 03 4.2 : 1

Port sizes	V2	C2	Pil
= 09	G 1/4	Ø 9 (0.35)	G 1/4
= 02	G 3/8	Ø 9 (0.35)	G 3/8

SPRINGS			
	Adj. pressure range bar (psi)	Pres. increase bar/turn (psi/turn)	Std. setting Q=5 (l/min.) bar (psi)
= 20	60-210 (870-3000)	56 (812)	200 (2900)
= 35	100-350 (1450-5000)	138 (2001)	350 (5000)

Tamper resistant cap code 11.04.23.002 R930000752



Type	Material number
08410203022000B	R930003285
08410203023500B	R930003286
08410203092000A	R930003287
08410203093500B	R930003288

Type	Material number