

RE 18309-39/04.10

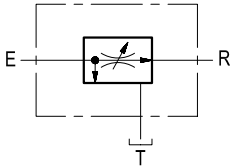
1/2

Replaces: RE 00171/02.07

Flow regulator, 3-way, pressure compensated

VRFC3

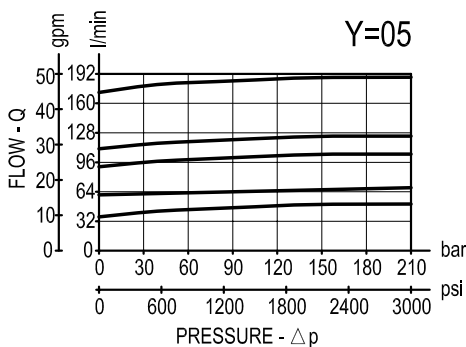
OM.32.03 - X - 05



Description

A constant flow rate, regardless of system pressures, is established from E to R, while a minimum pressure differential of appr. 5 bar (70 psi) exists between the two ports. Input flow supplied to E in excess of the regulated output at R is by-passed to T. Output flow can be varied from closed to the nominal maximum rating for the valve. Reverse flow from R to E is limited by the selected opening of the restrictor and is not pressure compensated. Flow from T to E or from T to R is not possible. Increasing or decreasing inlet flow may cause slight increase or decrease of Regulated flow.

Performance



Technical data

Hydraulic

| | | |
|--------------------|-----------|------------------|
| Operating pressure | bar (psi) | up to 210 (3000) |
|--------------------|-----------|------------------|

| | |
|------------------------------|--------------------|
| QE = max inlet flow "E" port | 280 l/min (74 gpm) |
|------------------------------|--------------------|

| | |
|----------------------------------|--------------------|
| QR = max regulated flow "R" port | 190 l/min (50 gpm) |
|----------------------------------|--------------------|

| | |
|-----------------------|---------------|
| Flow range adjustment | : 0 - 3 turns |
|-----------------------|---------------|

General

| | |
|-------------------|-----------|
| Manifold material | Aluminium |
|-------------------|-----------|

Note: aluminium bodies are often strong enough for operating pressures exceeding 210 bar (3000 psi), depending from the fatigue life expected in the specific application. If in doubt, consult our Service Network.

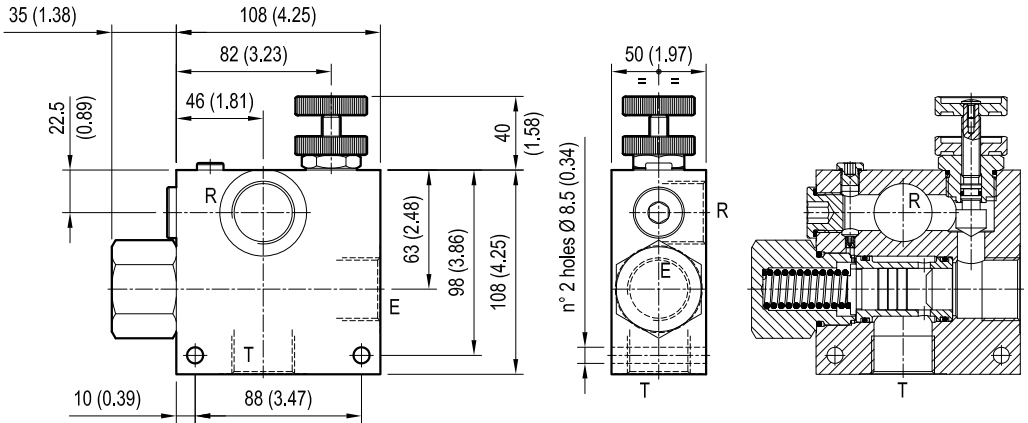
| | | |
|--------|----------|------------|
| Weight | kg (lbs) | 1.95 (4.3) |
|--------|----------|------------|

| | | |
|-------------------------|---------|----------------------------------|
| Fluid temperature range | °C (°F) | between -30 (-22) and +100 (212) |
|-------------------------|---------|----------------------------------|

| | |
|----------------------|----------------------------|
| Other technical data | see data sheet RE 18350-50 |
|----------------------|----------------------------|

Note: for applications outside these parameters, please consult us.

Dimensions



[mm (inches)]

Ordering code

OM.32.03 X 05

Flow regulator,
3-way, pressure compensated

Adjustments

Port sizes E - R - T

= 70 Handknob and locknut



= 80 Screw and locknut



= 40 Graduated handknob



G 1

| Type | Material number |
|-----------------|-----------------|
| OM3203700500000 | R930004235 |
| OM3203800500000 | R930004245 |
| OM3203400500000 | R930004225 |
| | |
| | |
| | |
| | |
| | |
| | |

| Type | Material number |
|------|-----------------|
| | |
| | |
| | |
| | |
| | |
| | |
| | |
| | |
| | |