

RE 18309-46/04.10

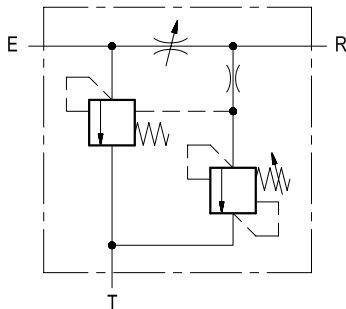
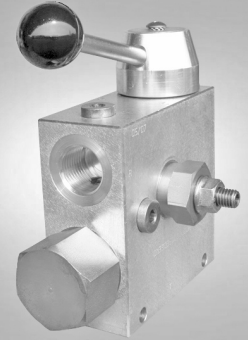
1/2

Replaces: RE 00171/02.07

Flow regulator, 3-way, pressure compensated, with relief

VRFC3-VS

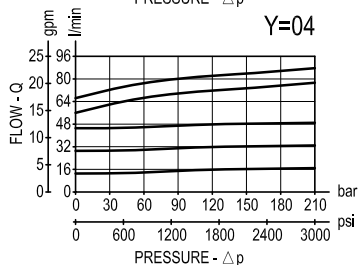
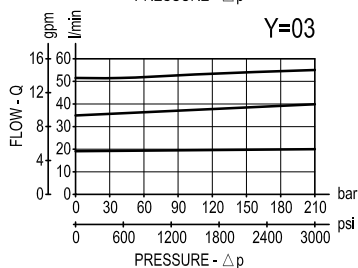
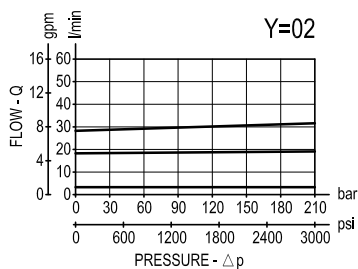
OM.33.03.50 - Y



Description

A constant pressure compensated flow rate is established from E to R, while a minimum pressure differential of appr. 5 bar (70 psi) exists between the two ports. Input flow supplied to E in excess of the regulated output at R is by-passed to T. Output flow can be varied from zero (Closed) to the nominal maximum rating for the valve (Open). The valve module includes a small pilot relief cartridge which senses the pressure of the Regulated flow and diverts it to tank if the maximum allowed pressure is reached. Reverse flow from R to E is limited by the selected opening of the lever controlled restrictor and is not pressure compensated. Flow from T to E or from T to R is not permitted.

Performance



Technical data

Hydraulic

Operating pressure	bar (psi)	210 (3000)
--------------------	-----------	------------

Adj. relief valve: range 35-210 bar (500-3000 psi).

Standard setting: 210 bar (3000 psi)

QE = max inlet flow "E" port (see "Dimensions")

QR = max regulated flow "R" port (see "Dimensions")

General

Manifold material	Aluminium
-------------------	-----------

Note: aluminium bodies are often strong enough for operating pressures exceeding 210 bar (3000 psi), depending from the fatigue life expected in the specific application. If in doubt, consult our Service Network.

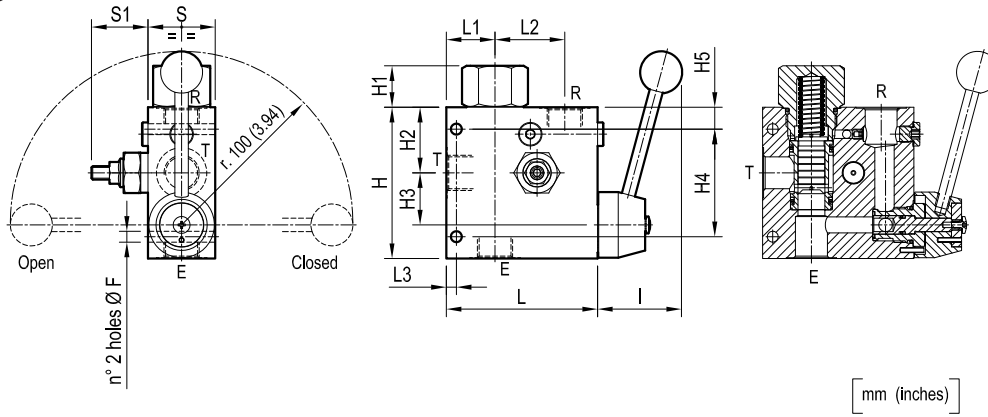
Weight	see "Dimensions"
--------	------------------

Fluid temperature range	°C (°F)	between -30 (-22) and +100 (212)
-------------------------	---------	----------------------------------

Other technical data	see data sheet RE 18350-50
----------------------	----------------------------

Note: for applications outside these parameters, please consult us.

Dimensions



[mm (inches)]

34 (1.34)	50 (1.97)	7 (0.28)	50 (1.97)	35 (1.38)	108 (4.25)	50 (1.97)	10 (0.39)	88 (3.47)	35 (1.38)	44 (1.73)	25 (0.98)	108 (4.25)	8.5 (0.34)	90 l/min 24 gpm	150 l/min 40 gpm	G 3/4	2.2 (4.9)
34 (1.34)	40 (1.58)	6 (0.24)	42.5 (1.67)	30 (1.18)	90 (3.54)	50 (1.97)	13 (0.51)	64 (2.52)	31 (1.22)	39 (1.54)	25 (0.98)	90 (3.54)	6.5 (0.26)	55 l/min 15 gpm	90 l/min 24 gpm	G 1/2	1.17 (2.58)
34 (1.34)	40 (1.58)	6 (0.24)	42.5 (1.67)	30 (1.18)	90 (3.54)	50 (1.97)	13 (0.51)	64 (2.52)	31 (1.22)	39 (1.54)	25 (0.98)	90 (3.54)	6.5 (0.26)	30 l/min 8 gpm	55 l/min 15 gpm	G 3/8	1.17 (2.58)
S1	S	L3	L2	L1	L	I	H5	H4	H3	H2	H1	H	F	QR	QE	Y	Weight kg (lbs)

Ordering code

OM.33.03 50 Y

Flow regulator,
3-way, pressure compensated
with relief

Adjustments

Lever with built in friction clutch

Port sizes	E - R - T
= 02	G 3/8
= 03	G 1/2
= 04	G 3/4

Type	Material number
OM330350020000A	R930004256
OM330350030000A	R930004257
OM330350040000A	R930004258

Type	Material number