

RE 18309-43/04.10

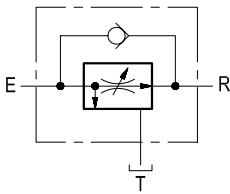
1/2

Replaces: RE 00171/02.07

Flow regulator, 3-way, pressure compensated, with check valve for free reverse flow

VRFC3-VU

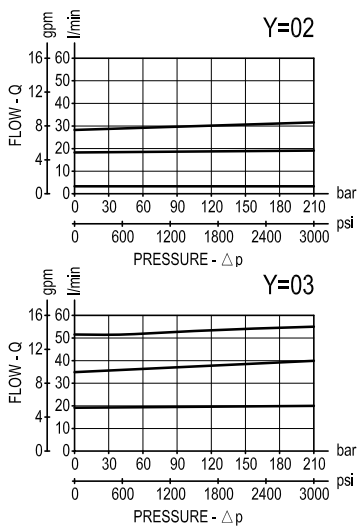
OM.39.03 - X - Y



Description

A constant flow rate, regardless of system pressures, is established from E to R, while a minimum pressure differential of appr. 5 bar (70 psi) exists between the two ports. Input flow supplied to E in excess of the regulated output at R is by-passed to T. Output flow can be varied from closed to the nominal maximum rating for the valve. Reverse flow from R to E is limited by the selected opening of the restrictor and is not pressure compensated. Flow from T to E or from T to R is not possible. Increasing or decreasing inlet flow may cause slight increase or decrease of Regulated flow.

Performance



Technical data

Hydraulic

Operating pressure	bar (psi)	up to 210 (3000)
--------------------	-----------	------------------

Max flow (see "Performance graph")

QE = max inlet flow "E" port (see "Dimensions")

QR = max regulated flow "R" port (see "Dimensions")

Flow range adjustment : 0 - 3 turns

General

Manifold material	Aluminium
-------------------	-----------

Note: aluminium bodies are often strong enough for operating pressures exceeding 210 bar (3000 psi), depending from the fatigue life expected in the specific application. If in doubt, consult our Service Network.

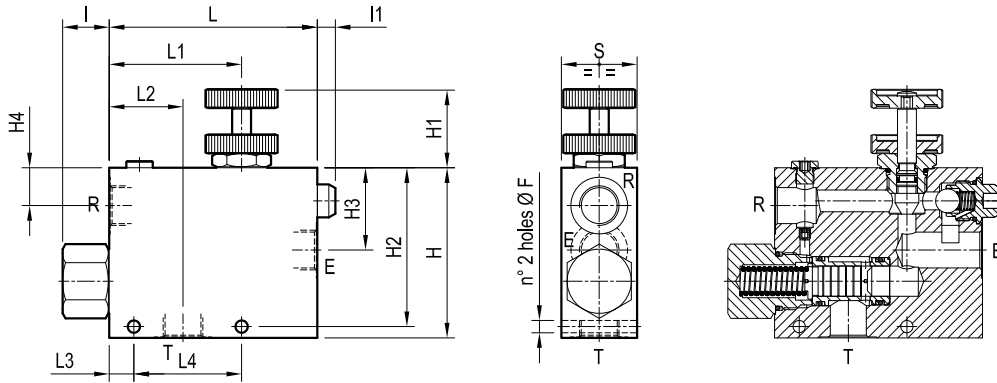
Weight	see "Dimensions"
--------	------------------

Fluid temperature range	°C (°F)	between -30 (-22) and +100 (212)
-------------------------	---------	----------------------------------

Other technical data	see data sheet RE 18350-50
----------------------	----------------------------

Note: for applications outside these parameters, please consult us.

Dimensions



[mm (inches)]

40 (1.58)	57 (2.24)	13 (0.51)	39 (1.54)	70 (2.76)	110 (4.33)	10 (0.39)	25 (0.98)	17.5 (0.69)	43.5 (1.71)	84 (3.31)	40 (1.58)	90 (3.54)	6.5 (0.26)	55 l/min 15 gpm	90 l/min 24 gpm	G 1/2	1.15 (2.54)
40 (1.58)	57 (2.24)	13 (0.51)	39 (1.54)	70 (2.76)	110 (4.33)	10 (0.39)	25 (0.98)	17.5 (0.69)	42 (1.65)	84 (3.31)	40 (1.58)	90 (3.54)	6.5 (0.26)	30 l/min 8 gpm	55 l/min 15 gpm	G 3/8	1.15 (2.54)
S	L4	L3	L2	L1	L	I1	I	H4	H3	H2	H1	H	F	QR	QE	Y	Weight kg (lbs)

Ordering code

OM.39.03 X Y

Flow regulator,
3-way, pressure compensated,
check valve for free reverse flow

Adjustments

= 70 Handknob and locknut



= 80 Screw and locknut



= 40 Graduated handknob



Port sizes	E - R - T
= 02	G 3/8
= 03	G 1/2

Type	Material number
OM390370020000A	R930004298
OM390370030000A	R930004299
OM3903800200000	R930004301
OM390380030000A	R930004302
OM390340020000A	R930004293
OM3903400300000	R930004295

Type	Material number

Bosch Rexroth Oil Control S.p.A.
Via Leonardo da Vinci 5
P.O. Box no. 5
41015 Nonantola – Modena, Italy
Tel. +39 059 887 611
Fax +39 059 547 848
motion-control-valves@oilcontrol.com
www.boschrexroth.com

© This document, as well as the data, specifications and other information set forth in it, are the exclusive property of Bosch Rexroth Oil Control S.p.a.. It may not be reproduced or given to third parties without its consent.
The data specified above only serve to describe the product. No statements concerning a certain condition or suitability for a certain application can be derived from our information. The information given does not release the user from the obligation of own judgment and verification. It must be remembered that our products are subject to a natural process of wear and aging.
Subject to change.