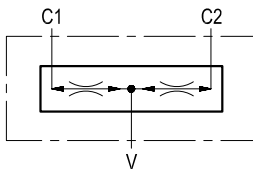


Flow divider, combiner

DRF

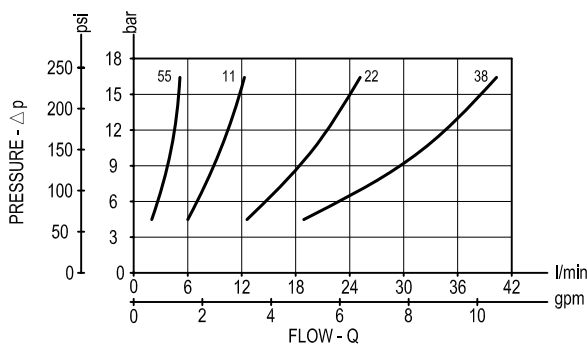
0M.51.03.90.02 - Z



Description

This valve gives division of input flow from V to C1-C2, and re-combines flows in reverse direction from C1-C2 to V. The ratio between the flows through C1 and through C2 is maintained constant (typically 50% / 50%) over a wide range of pressure variations and of pressure imbalance in order to synchronize the motion of 2 actuators in both forward and reverse directions. In flow division mode, should either C1 or C2 be blocked, approximately 1÷2% of the available flow can be forced through the port still open.

Performance



Technical data

Hydraulic

Operating pressure	bar (psi)	up to 210 (3000)
--------------------	-----------	------------------

Flow division ratio: 50% - 50%

For any chosen inlet flow capacity (refer to table Z), the slippage, or the difference from theoretical value between the divided flows, depends from the inlet flow, and is lowest in the top portion of the selected range: generally it never exceeds $\pm 3\%$.

General

Manifold material	Aluminium
-------------------	-----------

Note: aluminium bodies are often strong enough for operating pressures exceeding 210 bar (3000 psi), depending from the fatigue life expected in the specific application. If in doubt, consult our Service Network.

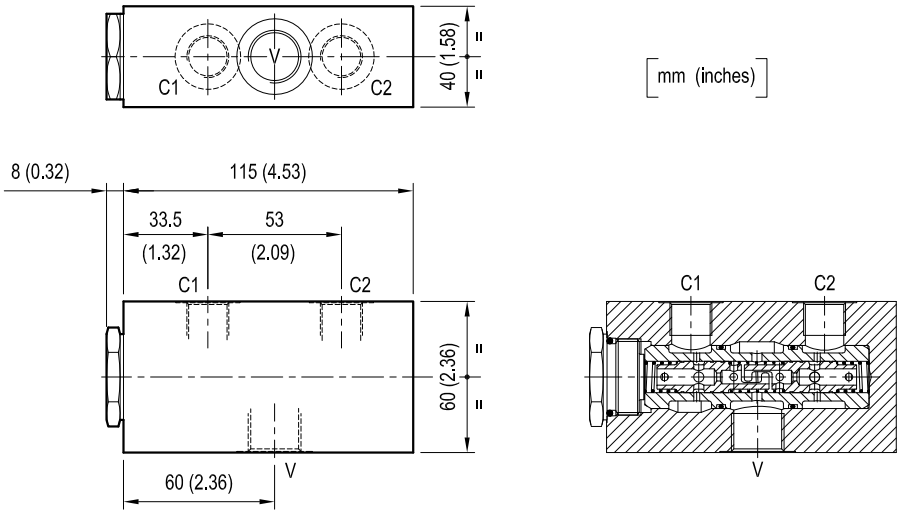
Weight	kg (lbs)	0.9 (1.98)
--------	----------	------------

Fluid temperature range	°C (°F)	between -30 (-22) and +100 (212)
-------------------------	---------	----------------------------------

Other technical data	see data sheet RE 18350-50
----------------------	----------------------------

Note: for applications outside these parameters, please consult us.

Dimensions



Ordering code

OM.51.03.90	02	Z
--------------------	-----------	----------

Flow divider, combiner

Port sizes	V	C1 - C2
	G 3/8	G 3/8

INLET CAPACITY	
= 55	2.8 to 5.8 l/min (0.75 to 1.53 gpm)
= 11	6.5 to 11 l/min (1.72 to 2.91 gpm)
= 22	13 to 22 l/min (3.44 to 5.81 gpm)
= 38	25 to 38 l/min (6.61 to 10 gpm)

Type	Material number
OM510390021100A	R930001708
OM510390022200A	R930001714
OM510390023800A	R930001839
OM510390025500B	R930001510

Type	Material number