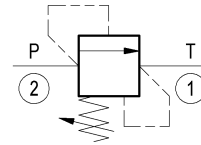
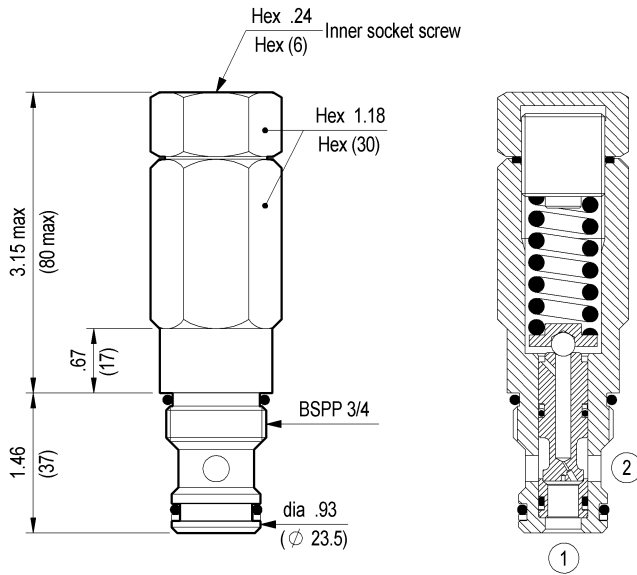


**RELIEF, DIRECT ACTING POPPET TYPE  
DIFFERENTIAL AREA  
SPECIAL CAVITY**

**VSD-150**

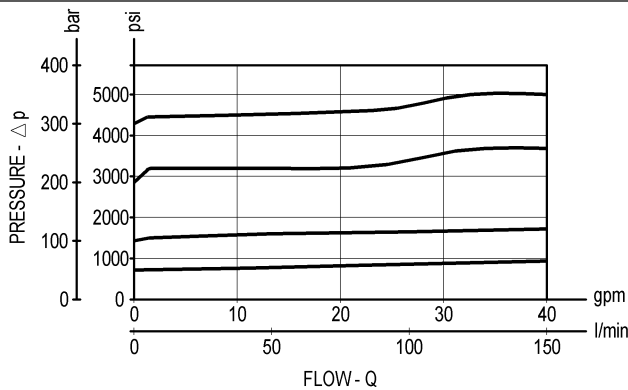
**04.15.02 - X - 99 - Z**



**TECHNICAL DATA**

Max. pressure:	5000 psi	(350 bar)
Max. flow:	40 gpm	(150 l/min)
Special cavity :	005 (see page CT.S.001.U)	
Installation torque :	111-120 ft-lb	(150-162 Nm)
Weight:	1.047 lbs	(0.475 Kg)

Flow is blocked from 2 to 1 until pressure increases to meet the selected valve setting, lifting the poppet from its seat and allowing relief flow through 1 to tank. Pressure at 1 is additive to the relief setting of the valve. The combination of stable poppet design and hardened seat provide excellent response, hysteresis and leakage characteristics.



**X ADJUSTMENTS**

<b>03</b>	Leakproof inner hex. socket screw	
-----------	-----------------------------------	--

**Z SPRINGS**

Z	Adj. press. range psi (bar)	Press. increase psi / turn (bar/turn)	Standard setting psi (bar) (Q=5 l/min)	Ordering code	Color
<b>05</b>	75-725 (5-50)	232 (16)	725 (50)	03.51.01.150	black
<b>10</b>	580-1450 (40-100)	479 (33)	1450 (100)	03.51.01.151	blue
<b>20</b>	1000-3000 (70-210)	986 (68)	2900 (200)	03.51.01.152	green
<b>35</b>	1900-5000 (130-350)	1523 (105)	5000 (350)	03.51.01.142	yellow

**OPTIONS**

Ordering code	Description
03.05.01.001	 Sealing cap

Special settings available. Contact factory authorized representative for ordering code.