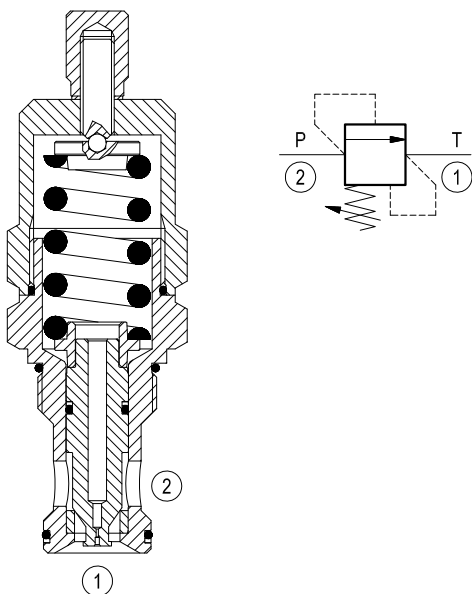


Relief, direct acting poppet type differential area

Special cavity, 004

VSD-350

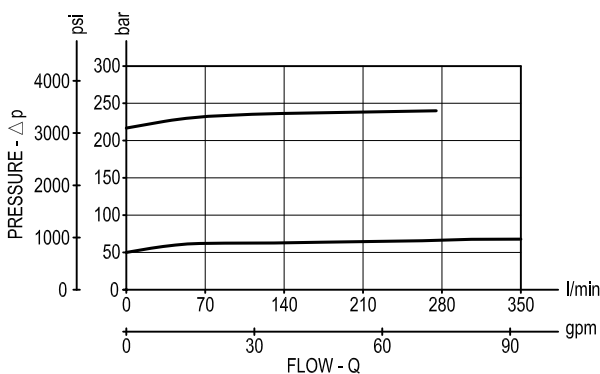
04.15.04 - X - 99 - Z



Description

Flow is blocked from 2 to 1 until pressure increases to meet the selected valve setting, lifting the poppet from its seat and allowing relief flow through 1 to tank. Pressure at 1 is additive to the relief setting of the valve. The combination of stable poppet design and hardened seat provide excellent response, hysteresis and leakage characteristics.

Performance



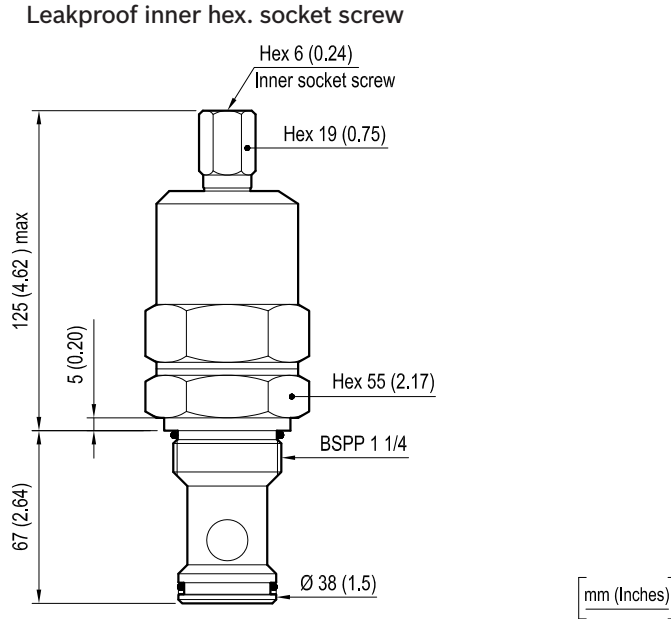
Technical data

Max. operating pressure port 2 (P)	bar (psi)	210 (3000)
Max. pressure admitted port 1 (T)	bar (psi)	140 (2000)
Max. flow	l/min. (gpm)	350 (93)
Max. internal leakage (*)	drops/min.	15
Fluid temperature range	°C (°F)	-30 to 100 (-22 to 212)
Installation torque	Nm (ft-lbs)	245-264 (181-196)
Weight	kg (lbs)	1.5 (3.3)
Special cavity		004, see data sheet RE 18325-75
Seal kit (**)	code material no.	RG0004020520100 R930001696
Fluids		Mineral-based or synthetics with lubricating properties at viscosities of 10 to 500 mm ² /s (cSt)
Filtration		Nominal value max. 10µm (NAS 8) ISO 4406 19/17/14
Installation		No restrictions
Other Technical Data		See data sheet RE 18350-50

(*) at 80% of pressure setting

(**) Only external seals for 10 valves

Dimensions



Ordering code

04.15.04	X	99	Z	00	*
----------	---	----	---	----	---

Series 0/A to L
unchanged performances and dimensions

Version and options standard

Relief, direct acting poppet
type differential area

Adjustments

= 03 Leakproof inner hex. socket screw

Special cavity, 004

SPRINGS

	Adj. press. range bar (psi)	Pressure increase bar/turn (psi/ turn)	Std. setting bar (psi) (Q=5 l/min)
= 05	15-50 (220-725)	9 (131)	50 (725)
= 20	80-210 (1160-3000)	37 (537)	200 (2900)

Type	Material number
04150403990500A	R930000377
04150403992000A	R901113637

Type	Material number