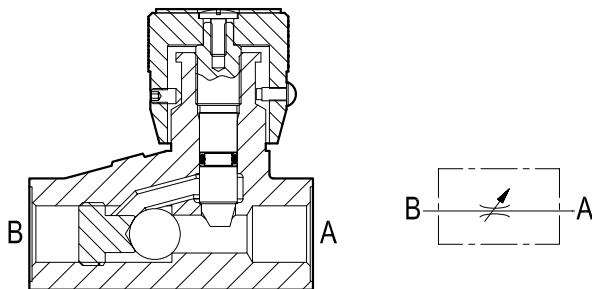


Flow control valves

## Adjustable bidirectional flow restrictors

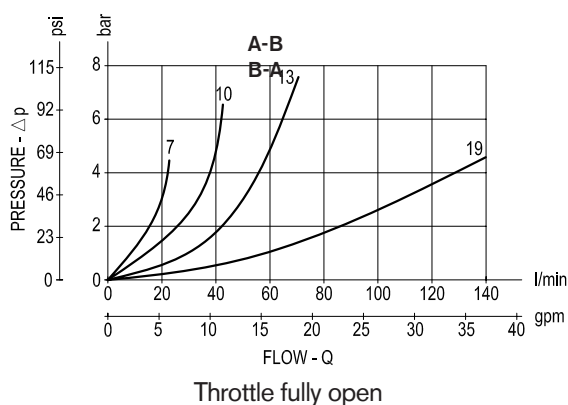
RD Series



### Description

This line mounted valve provides a fully adjustable orifice restriction. Even though the Performance curves shown in the tables refer to the A-B flow direction, the valve is actually bi-directional and the performance curves can be assumed almost accurate also for the reverse flow direction B-A. Pressure compensation is not provided and flow depends from pressure drop and oil viscosity.

### Performance



### Technical data

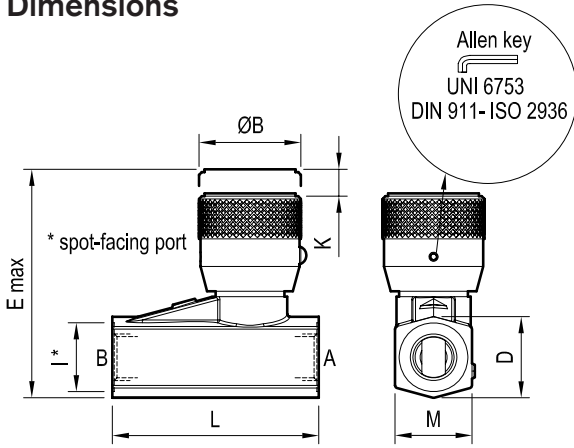
Code	Pressure P max bar (psi)	Flow Q max l/min (gpm)	Weight kg (lbs)
RD 7	350 (5000)	25 (7)	0.28 (0.62)
RD 10	350 (5000)	45 (12)	0.48 (1.06)
RD 13	350 (5000)	70 (19)	0.85 (1.87)
RD 19	350 (5000)	140 (37)	1.58 (3.48)

Cast iron, zinc plated with aluminium hand knob

### Advantages

- Compact design
- Four sizes provide great adaptability to the system.
- Fine adjustment.
- Mounting position is unrestricted.

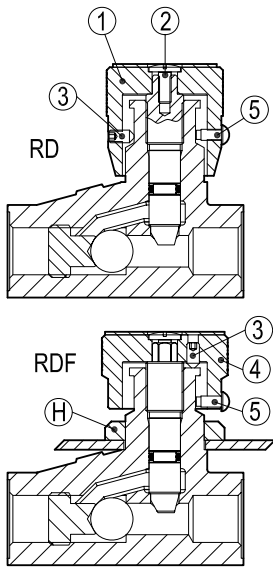
**Dimensions**



**Post size / Dimensions**

Code	Ports size A-B	I* mm (inches)	L mm (inches)	Ø B mm (inches)	E max mm (inches)	D mm (inches)	M mm (inches)
RD 7	G 1/4	21 (0.83)	64 (2.52)	33 (1.30)	63.5 (2.5)	24 (0.95)	24 (0.95)
RD 10	G 3/8	25 (0.98)	75 (2.95)	40 (1.58)	73 (2.87)	30 (1.18)	28 (1.10)
RD 13	G 1/2	29 (1.14)	92 (3.62)	45 (1.77)	93 (3.66)	36 (1.42)	35 (1.38)
RD 19	G 3/4	36.5 (1.44)	115 (3.62)	53 (2.09)	120 (4.72)	43 (1.69)	43 (1.69)

The RD series valves can be converted into panel mounted version (like RDF) by removing and adding the items here indicated.



code	Remove from RD valve				Add For panel mounting			
	Screw (3)	Rivet (5)	Screw (2)	Hand Knob (1)	Ring Nut (H)	Hand Knob (4)	Screw (3)	Rivet (5)
RD 7 RDF 7	M3 x 6 UNI 5927.67 code: 0771432.01	4M x 6.5 code: 0771352.01	M4 x 10 code: 0771432.04	0771431.01	20 x 1 code: 0811131.16	081.1431.05	M3 x 6 UNI 5927.67 code: 0771432.01	4M x 6.5 code: 0771352.01
RD 10 RDF 10	M4 x 8 UNI 5927.67 code: 0781432.02	6M x 8 code: 0781352.02	M4 x 10 code: 0771432.04	078.1431.02	25 x 1.5 code: 0821131.17	082.1431.06	M4 x 8 UNI 5927.67 code: 0781432.02	6M x 8 code: 0781352.02
RD 13 RDF 13	M4 x 8 UNI 5927.67 code: 0781432.02	6M x 8 code: 0781352.02	M5 x 12 0791432.05	079.1431.03	30 x 1.5 code: 0831131.18	083.1431.07	M4 x 8 UNI 5927.67 code: 0781432.02	6M x 8 code: 0781352.02
RD 19 RDF 19	M5 x 10 UNI 5927.67 code: 0801432.03	10M x 9.5 code: 0801352.03	M5 x 12 + rivet Ø 5 (0.20) UNI 6593-69 code: 0791432.05	080.1431.04	35 x 1.5 code: 0841131.19	084.1431.08	M5 x 10 UNI 5927.67 code: 0801432.03	10M x 9.5 code: 0801352.03

**Ordering code**



series 7	=	<b>7</b>
series 10	=	<b>10</b>
series 13	=	<b>13</b>
series 19	=	<b>19</b>

Adj. travel (only bar value see below)

	RD 7	RD 10	RD 13	RD 19
K mm (inch)	7 (0.28)	8 (0.31)	11 (0.43)	14 (0.55)

Type	Material number	Type	Material number	Type	Material number
RD7	R932500528				
RD10	R932500529				
RD13	R932500530				
RD19	R932500531				

**Applications**

The RD Series valve is a fully and easily adjustable non-compensated flow control which can be employed many applications where a non-compensated bidirectional flow control is desired.