

Solenoid operated valves pilot operated poppet type
2-way normally open
Special cavity, 017-E

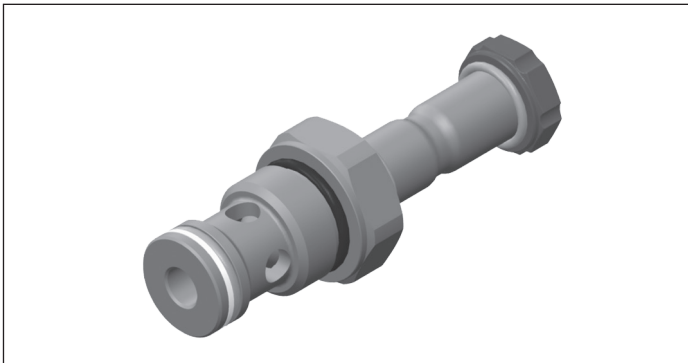
VEI-16-NA

OD.15 - X - 17 - Y - Z - 00

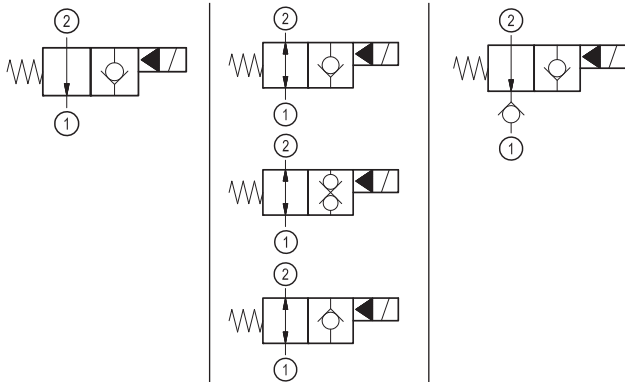
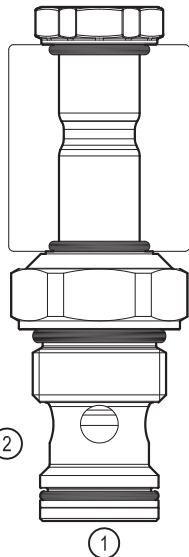
RE 18323-35

Edition: 12.2017

Replaces: 11.2017



PATENT PENDING



Technical data

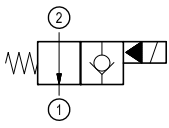
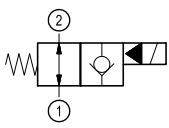
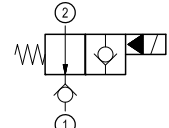
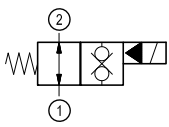
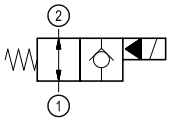
New VEI-16 family incorporates a new solenoid concept providing excellent performance and enables cartridges to work in severe environment. Cartridges also incorporates advanced design of hydraulic parts providing excellent hydraulic performance.

Technical data

| General | |
|--|--|
| Weight | 0.25 kg (0.55 lbs) |
| Installation orientation | Unrestricted |
| Ambient temperature range | -30 to 90 °C (-22 to 194 °F) |
| Hydraulic | |
| Max. operating pressure | 350 bar (5000 psi) |
| Flow range | 2 - 70 l/min (0.53 - 18 gpm) |
| Fatigue cycle life | 2 million cycles at 350 bar |
| Max. internal leakage: | 20 drops/min. |
| Installation torque | 54 - 66 Nm (40 - 49 ft-lbs) |
| Switching time | Opening ≤ 50 ms Closing ≤ 100 ms |
| Fluid temperature range | -20 to 80 °C (-4 to 176 °F) |
| Fluids: Mineral-based or synthetics with lubricating properties at viscosities of 20 to 380 mm ² /s (cSt) | |
| Recommended degree of fluid contamination | Nominal value max. 10 µm (NAS 8) ISO 4406 19/17/14 |
| MTTFd | 150 years see RE 18350-51 |
| Special cavity | 017-E see 18325-75 |
| Seal kit for X= 02,06,12 | code RG17E201052010 material no. R934003562 |
| Seal kit for X= 04,32 | code RG17E201053010 material no. R934003563 |
| Seal kit coil and standard cap | code RG02Z0010000100 material no. R930067869 |
| Seal kit coil and protective cap only for Y=B,C | code RG03Z0010000100 material no. R930067870 |
| Other technical data | See data sheet 18350-50 |
| Electrical | |
| Type of voltage | DC voltage |
| Coil type | D36 |
| Supply voltage | See data sheet 18325-90 |
| Voltage tolerance against ambient temperature | See characteristic curve |
| Power consumption | 20 W |
| Type of protection | See data sheet 18325-90 |

Note: Coils must be ordered separately

Ordering code

| OD.15 | X | 17 | Y | Z | 0000 | * | | |
|---|---|----|---|---|------|--|--|-----------------------|
| Solenoid operated valves pilot operated poppet type 2-way normally open | | | | | | Series O/A to L unchanged performances and dimensions | | |
| monodirectional type | | | | | | 0 = With buna seal V = With Viton seal P = With buna seal and protective cap for override version B and C T = With Viton seal and protective cap for override version B and C | | |
|  | | | | | | | 02 | |
| bidirectional type | | | | | | | A = Standard B = Push style manual override C = Push and twist style manual override | |
|  | | | | | | | | 06 |
| monodirectional type with check | | | | | | | | Special cavity: 017-E |
|  | | | | | | 12 | | |
| bidirectional type | | | | | | | | |
|  | | | | | | | 32 | |
| bidirectional type | | | | | | | | |
|  | | | | | | | | 04 |

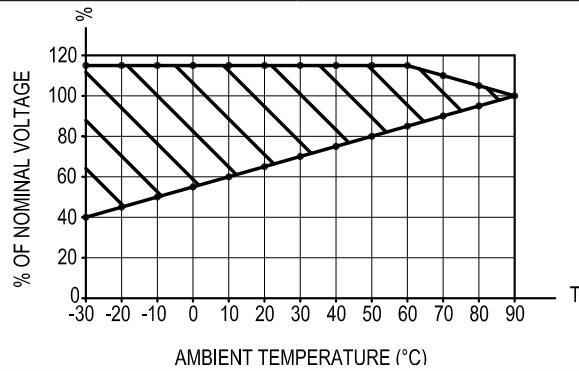
Preferred types

| Type | Material number |
|-----------------|-----------------|
| OD150217A000000 | R930063870 |
| OD150217C000000 | R930065471 |
| OD150617A000000 | R930064265 |
| OD150617B000000 | R930064334 |
| OD150617C000000 | R930063423 |
| OD151217A000000 | R930063907 |
| OD153217A000000 | R930064102 |
| OD153217B000000 | R930067161 |

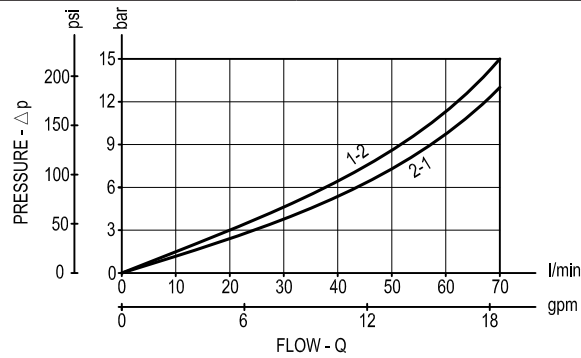
| Type | Material number |
|-----------------|-----------------|
| OD153217BP00000 | R930067159 |
| OD153217C000000 | R930067160 |
| OD153217CP00000 | R930067157 |
| OD150417A000000 | R930066966 |
| | |
| | |
| | |
| | |

Characteristic curves

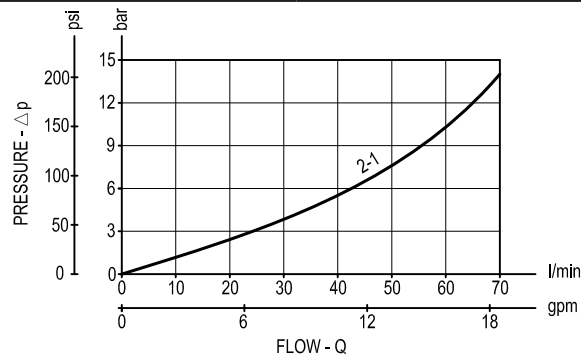
All Versions - Admissible supply voltage Vs. Ambient temperature at 100% duty cycle



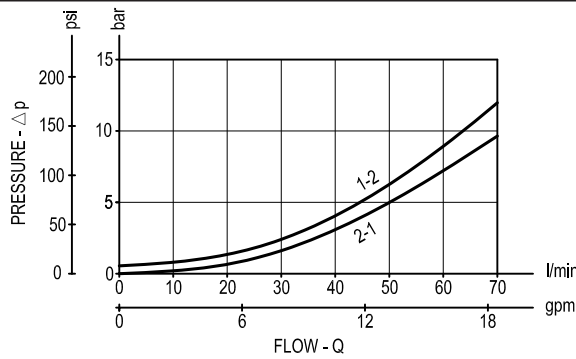
Versions 02, 06



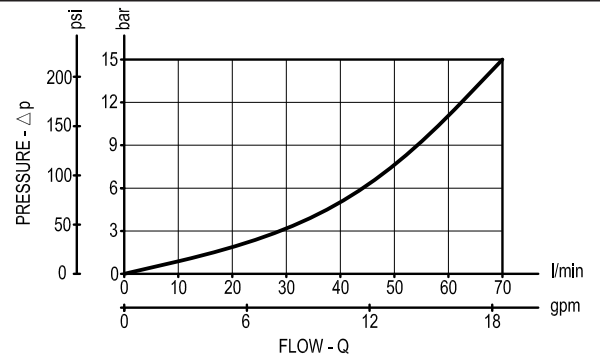
Version 12



Version 32

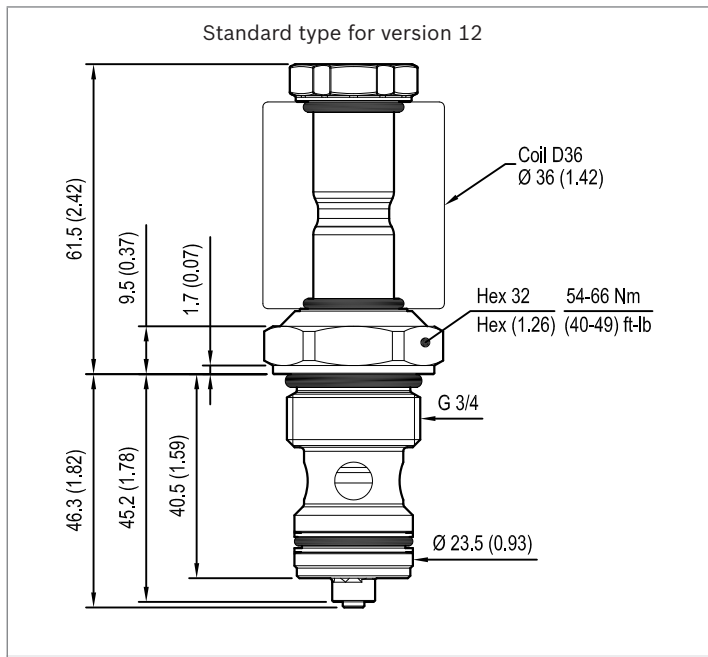
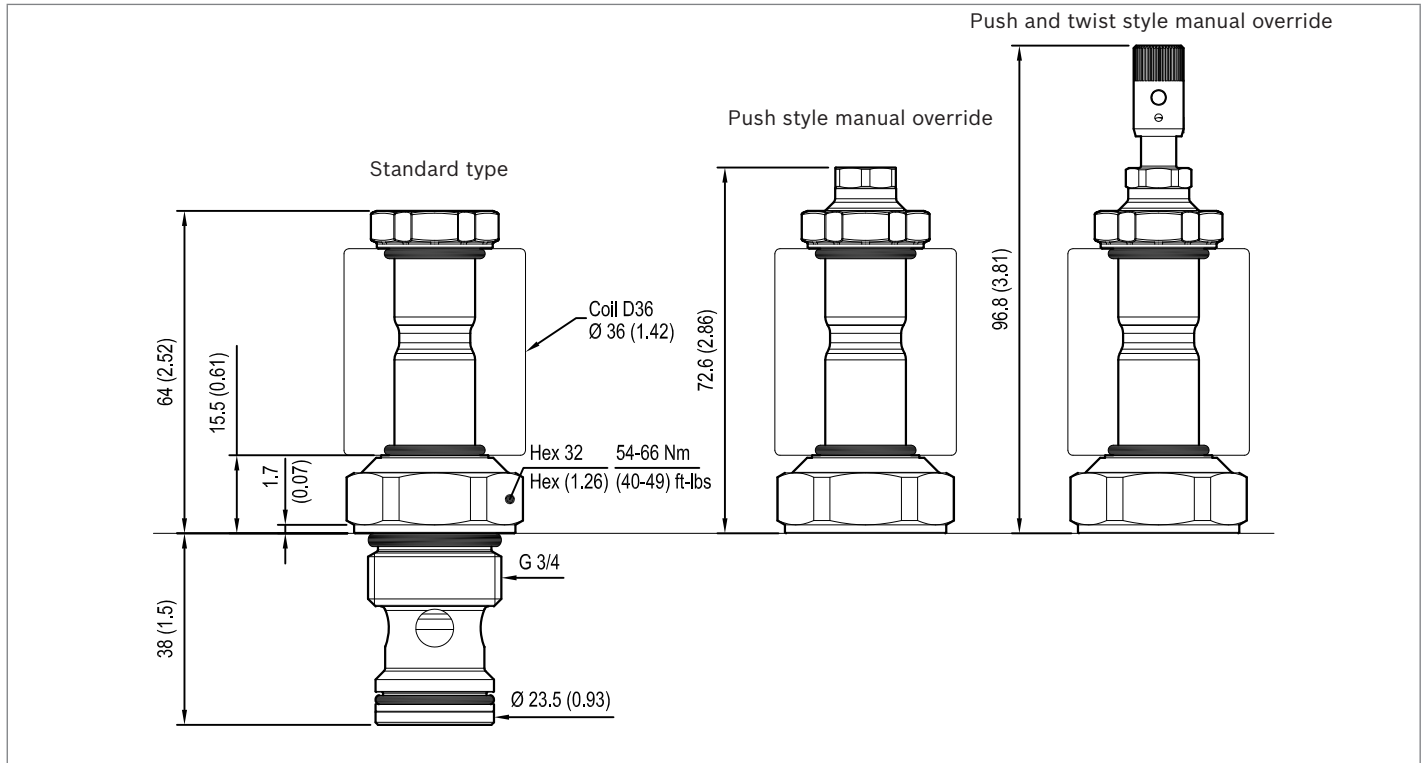


Version 04



Dimensions

Solenoid operated valves, poppet 2-way normally open



Bosch Rexroth Oil Control S.p.A.

Via Leonardo da Vinci 5
 P.O. Box no. 5
 41015 Nonantola - Modena, Italy
 Tel. +39 059 887 611
 Fax +39 059 547 848
 compact-hydraulics-cv@boschrexroth.com
 www.boschrexroth.com/compacthydraulics

© This document, as well as the data, specifications and other information set forth in it, are the exclusive property of Bosch Rexroth Oil Control S.p.a.. It may not be reproduced or given to third parties without its consent. The data specified above only serve to describe the product. No statements concerning a certain condition or suitability for a certain application can be derived from our information. The information given does not release the user from the obligation of own judgment and verification. It must be remembered that our products are subject to a natural process of wear and aging. Subject to change.