

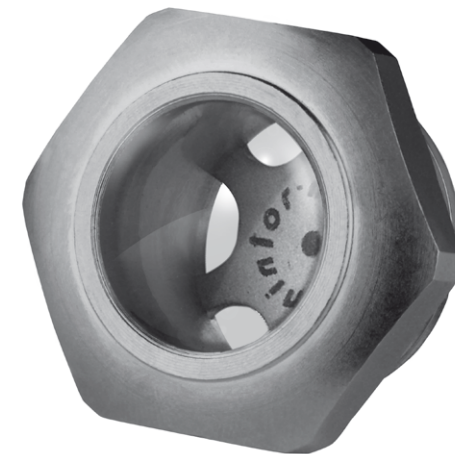
Registered model

TLAXP

**Visual level indicator
in steel with glass
for high pressure**

- ▶ Body made in nichel-plated steel and transparent inspection window in glass. Suitable for high pressures max 30 bar.
- ▶ Suitable for high and low temperatures from -30°C till +250°C max.
- ▶ Application: **Compressors, Construction Machinery and Earth Moving.**

NEW



[PRINTING NOTES](#)

[PRINT](#)

TYPE	CODE	GAS	f	t	v	e	s
TLAXP3G	1GTLXP3A	1/2"	9	9,5	14	27	30,2
TLAXP4G	1GTLXP4A	3/4"	12,5	8	19	32	35,7