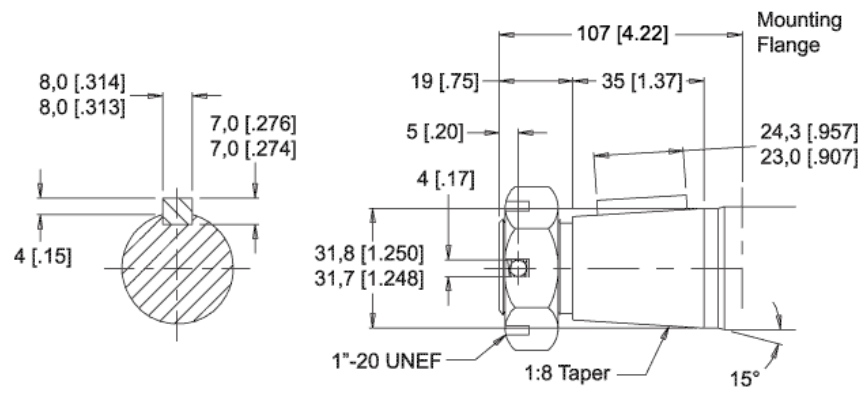
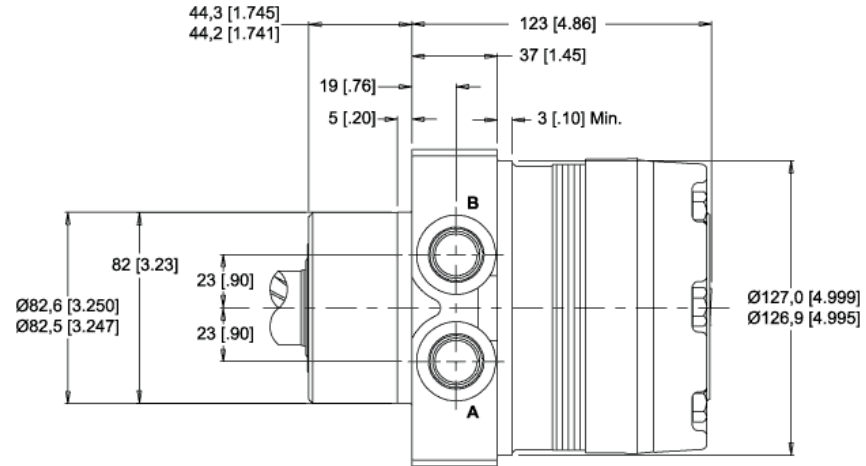
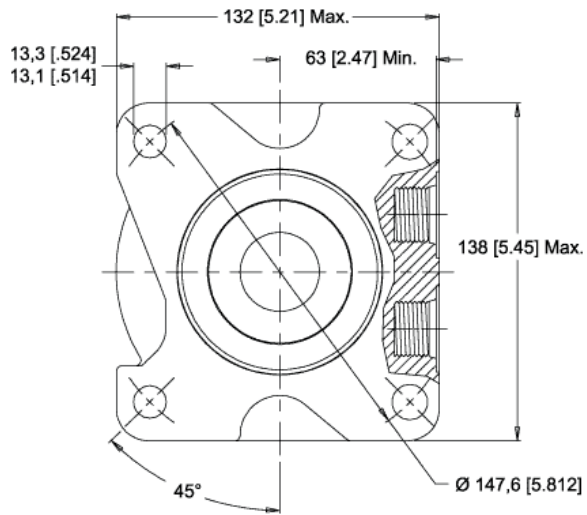



MODEL NO.
500200W3822AAAAA



<p>INFORMATION CONTAINED IN THIS DOCUMENT IS FOR REFERENCE ONLY AND VALID FOR 10 DAYS UNLESS SPECIFIED OTHERWISE. DIMENSIONS SHOWN ARE NOMINAL (MID-LIMIT). DIMENSIONS NEEDED FOR DESIGN PURPOSES. CONTACT WHITE DRIVE PRODUCTS, INC.</p>		
<p>DATE: 07/17/2014</p>	<p>DRAFT COPY</p>	
<p>NOT FOR PRODUCTION USE</p>		<p>ISSUED BY: ONLINE CAD MODELS</p>
<p>WHITE DRIVE PRODUCTS, INC PO BOX 1127 · HOPKINSVILLE, KY 42240 PHONE: 270.885.1110 · FAX: 270.886.8462</p>		<p>ISSUED TO: JESSE MIETTINEN</p>
		<p>MODEL NO. 500200W3822AAAAA</p>