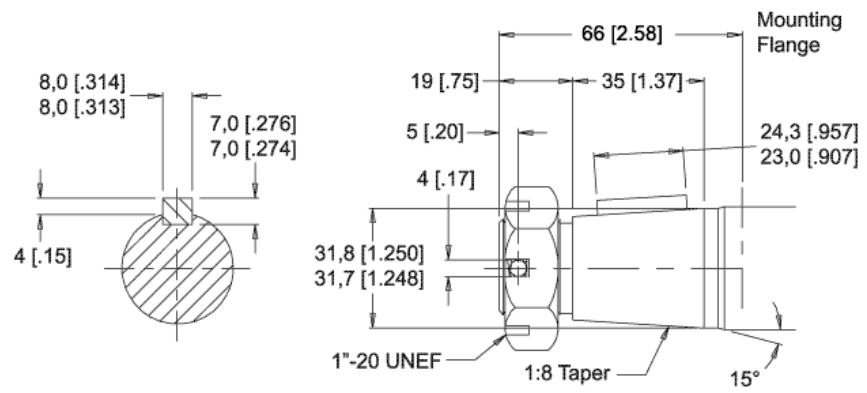
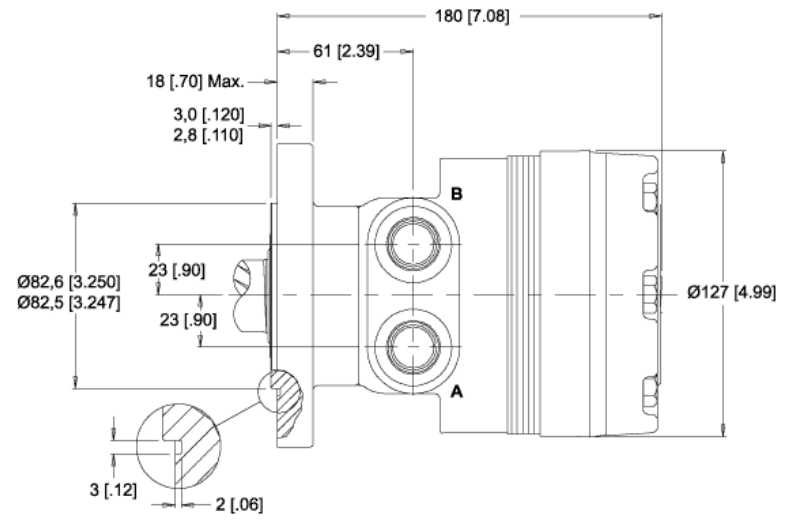
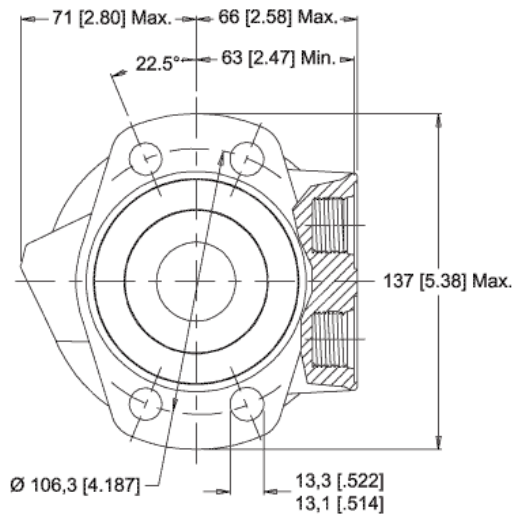


MODEL NO.
500375A3822AAAAA



INFORMATION CONTAINED IN THIS DOCUMENT IS FOR REFERENCE ONLY AND VALID FOR 10 DAYS UNLESS SPECIFIED OTHERWISE. DIMENSIONS SHOWN ARE NOMINAL (MID-LIMIT). DIMENSIONS NEEDED FOR DESIGN PURPOSES. CONTACT WHITE DRIVE PRODUCTS, INC.

NOT FOR PRODUCTION USE

WHITE DRIVE PRODUCTS, INC
PO BOX 1127 • HOPKINSVILLE, KY 42240
PHONE: 270.885.1110 • FAX: 270.886.8462

DATE: 07/17/2014		DRAFT COPY
ISSUED BY: ONLINE CAD MODELS		
ISSUED TO: JESSE MIETTINEN		MODEL NO. 500375A3822AAAAA