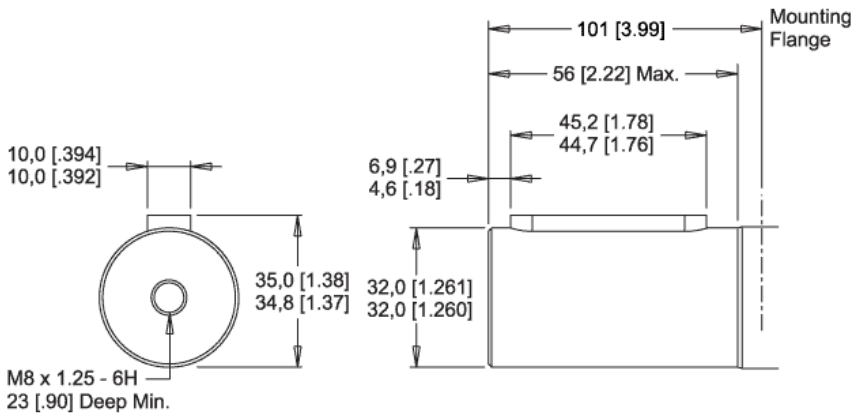
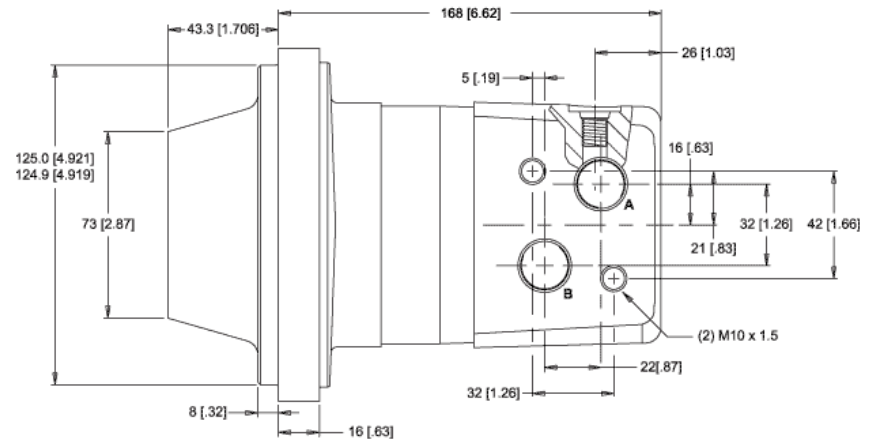
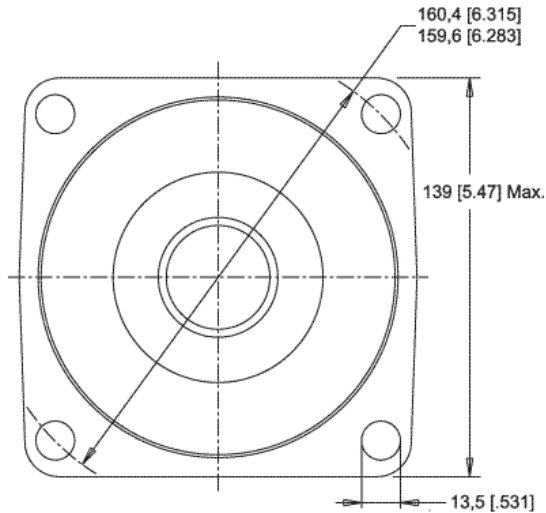


MODEL NO.
355160Z8321AAAAA



INFORMATION CONTAINED IN THIS DOCUMENT IS FOR REFERENCE ONLY AND VALID FOR 10 DAYS UNLESS SPECIFIED OTHERWISE. DIMENSIONS SHOWN ARE NOMINAL (MID-LIMIT). DIMENSIONS NEEDED FOR DESIGN PURPOSES. CONTACT WHITE DRIVE PRODUCTS, INC.



DATE:
 07/17/2014

DRAFT COPY

ISSUED BY:
 ONLINE CAD MODELS

NOT FOR PRODUCTION USE

ISSUED TO:
 JESSE MIETTINEN

WHITE DRIVE PRODUCTS, INC
 PO BOX 1127 · HOPKINSVILLE, KY 42240
 PHONE: 270.885.1110 · FAX: 270.886.8462

MODEL NO.
355160Z8321AAAAA