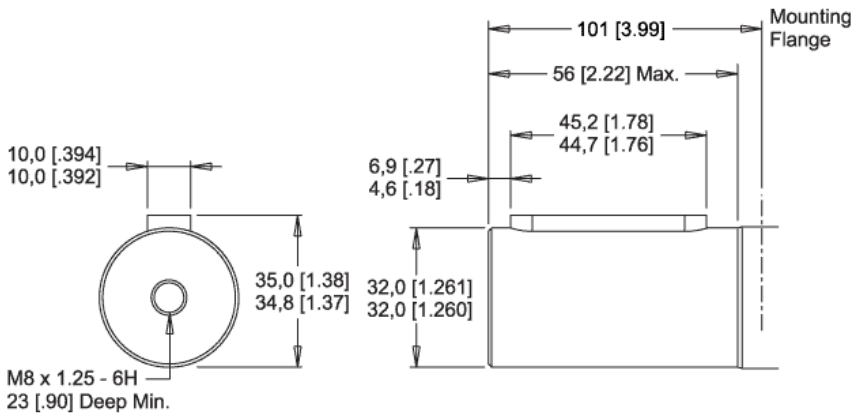
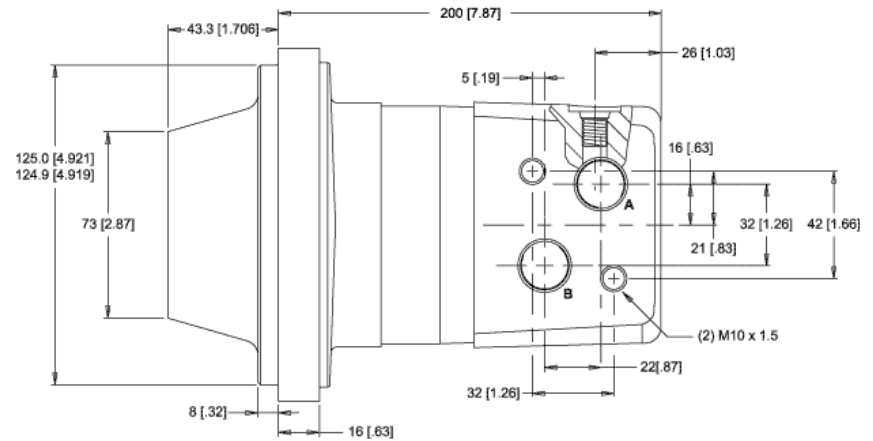
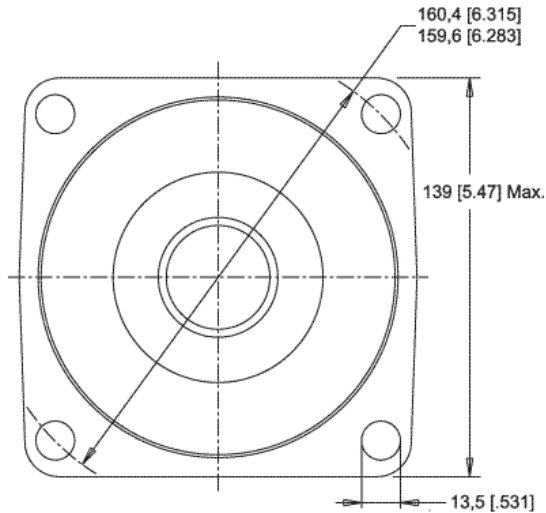


MODEL NO.  
**355320Z8321AAAAA**



INFORMATION CONTAINED IN THIS DOCUMENT IS FOR REFERENCE ONLY AND VALID FOR 10 DAYS UNLESS SPECIFIED OTHERWISE. DIMENSIONS SHOWN ARE NOMINAL (MID-LIMIT). DIMENSIONS NEEDED FOR DESIGN PURPOSES. CONTACT WHITE DRIVE PRODUCTS, INC.



DATE:  
 07/17/2014

**DRAFT COPY**

ISSUED BY:  
 ONLINE CAD MODELS

**NOT FOR PRODUCTION USE**

ISSUED TO:  
 JESSE MIETTINEN

WHITE DRIVE PRODUCTS, INC  
 PO BOX 1127 · HOPKINSVILLE, KY 42240  
 PHONE: 270.885.1110 · FAX: 270.886.8462

MODEL NO.  
**355320Z8321AAAAA**