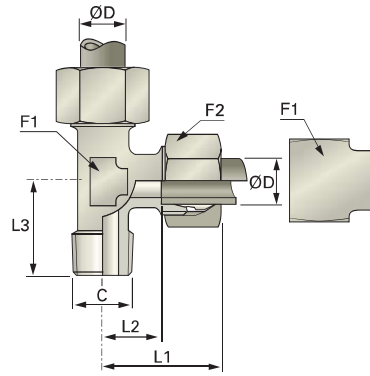


Male stud run tees

BSP taper
DIN 3852-2 form C



	PN	ØD	C	Body only	Single-bite ring	Double-bite ring	Bell code	F1*	F2	L1	L2	L3	
LL	100	4	R1/8	8003E04 10	8103E04 10		15-04/LL4RK	11	10	21	11	17	0,032
		6	R1/8	8003E06 10	8103E06 10		15-04/LL6RK	11	12	21	9,5	17	0,034
		8	R1/8	8003E08 10	8103E08 10		15-04/LL8RK	12	14	23	11,5	20	0,046
L	315	6	R1/8	8003L06 10		8203L06 10	ZS15-04/L6RK	12	14	26	12	20	0,058
		8	R1/4	8003L08 13		8203L08 13	ZS15-04/L8RK	14	17	29	14	26	0,088
		10	R1/4	8003L10 13		8203L10 13	ZS15-04/L10RK	17	19	30	15	27	0,121
		12	R3/8	8003L12 17		8203L12 17	ZS15-04/L12RK	19	22	32	17	28	0,156
		15	R1/2	8003L15 21		8203L15 21	ZS15-04/L15RK	19	27	36	21	34	0,210
		18	R1/2	8003L18 21		8203L18 21	ZS15-04/L18RK	24	32	40	23,5	36	0,304
S	400	6	R1/4	8003S06 13		8203S06 13	ZS15-04/S6RK	14	17	31	16	26	0,105
		8	R1/4	8003S08 13		8203S08 13	ZS15-04/S8RK	17	19	32	17	27	0,137
		10	R3/8	8003S10 17		8203S10 17	ZS15-04/S10RK	19	22	34	17,5	28	0,196
		12	R3/8	8003S12 17		8203S12 17	ZS15-04/S12RK	22	24	38	21,5	28	0,246
		14	R1/2	8003S14 21		8203S14 21	ZS15-04/S14RK	19	27	40	22	32	0,252
		16	R1/2	8003S16 21		8203S16 21	ZS15-04/S16RK	24	30	43	24,5	32	0,323

* Models ØD 4 to 10mm are manufactured from profile steel
Models ØD > 10mm are manufactured from forged steel