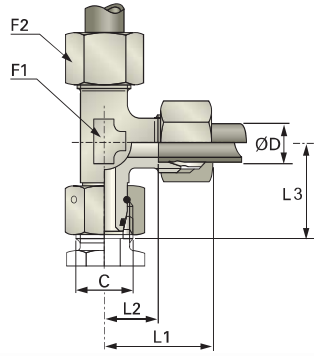


Standpipe run tees (DKO)

24° sealing cone and O-ring



	PN	ØD	C	Body only	Double-bite ring	DiNova ring	Bell code	F1*	F2	L1	L2	L3	O-ring	
L	400	6	M12x1,5	8073L06 00	8273L06 00	8373L06 00	ZS14/3-29/L6V-DM	12	14	27	12	26	4x1,5	0,065
		8	M14x1,5	8073L08 00	8273L08 00	8373L08 00	ZS14/3-29/L8V-DM	14	17	29	14	27,5	6x1,5	0,081
		10	M16x1,5	8073L10 00	8273L10 00	8373L10 00	ZS14/3-29/L10V-DM	17	19	30	15	29	7,5x1,5	0,100
		12	M18x1,5	8073L12 00	8273L12 00	8373L12 00	ZS14/3-29/L12V-DM	19	22	32	17	29,5	9x1,5	0,141
		15	M22x1,5	8073L15 00	8273L15 00	8373L15 00	ZS14/3-29/L15V-DM	19	27	36	21	32,5	12x2	0,230
	315	18	M26x1,5	8073L18 00	8273L18 00	8373L18 00	ZS14/3-29/L18V-DM	24	32	40	23,5	35,5	15x2	0,317
		22	M30x2	8073L22 00	8273L22 00	8373L22 00	ZS14/3-29/L22V-DM	27	36	44	27,5	38,5	20x2	0,433
		28	M36x2	8073L28 00	8273L28 00	8373L28 00	ZS14/3-29/L28V-DM	36	41	47	30,5	41,5	26x2	0,561
	250	35	M45x2	8073L35 00	8273L35 00	8373L35 00	ZS14/3-29/L35V-DM	41	50	56	34,5	51	32x2,5	0,908
		42	M52x2	8073L42 00	8273L42 00	8373L42 00	ZS14/3-29/L42V-DM	50	60	63	40	56	38x2,5	1,340
S	630	6	M14x1,5	8073S06 00	8273S06 00	8373S06 00	ZS14/3-29/S6V-DM	14	17	31	16	27	4x1,5	0,091
		8	M16x1,5	8073S08 00	8273S08 00	8373S08 00	ZS14/3-29/S8V-DM	17	19	32	17	27,5	6x1,5	0,117
		10	M18x1,5	8073S10 00	8273S10 00	8373S10 00	ZS14/3-29/S10V-DM	19	22	34	17,5	30	7,5x1,5	0,167
		12	M20x1,5	8073S12 00	8273S12 00	8373S12 00	ZS14/3-29/S12V-DM	22	24	38	21,5	31	9x1,5	0,213
		14	M22x1,5	8073S14 00	8273S14 00	8373S14 00	ZS14/3-29/S14V-DM	19	27	40	22	35	10x2	0,279
	400	16	M24x1,5	8073S16 00	8273S16 00	8373S16 00	ZS14/3-29/S16V-DM	24	30	43	24,5	36,5	12x2	0,369
		20	M30x2	8073S20 00	8273S20 00	8373S20 00	ZS14/3-29/S20V-DM	27	36	48	26,5	44,5	16,3x2,4	0,577
		25	M36x2	8073S25 00	8273S25 00	8373S25 00	ZS14/3-29/S25V-DM	36	46	54	30	50	20,3x2,4	1,043
		30	M42x2	8073S30 00	8273S30 00	8373S30 00	ZS14/3-29/S30V-DM	41	50	62	35,5	55	25,3x2,4	1,358
		315	38	M52x2	8073S38 00	8273S38 00	8373S38 00	ZS14/3-29/S38V-DM	50	60	72	41	63	33,3x2,4

* Models ØD 6 to 10mm are manufactured from profile steel
 Models ØD > 10mm are manufactured from forged steel