

// SVK-1H

POPPET STANDARD ISO 5675

TOP COAT



DN 8 to 19



to max WP 400 bar

// Quick and simple coupling and uncoupling

// One-hand push pull operation

// Break-away function

// Low pressure drop

// DN 12 compatible with ISO 7241-1-A

General features: ARGUS SVK-1H quick release couplings are used for quick coupling and uncoupling of hydraulic lines. During the coupling action in zero or low-pressure ranges, valves that release or block the flow are automatically activated. The SVK-1H quick release coupling, formed by the coupling plug and the coupling socket, is coupled by pushing on a sleeve. This guarantees a flush connection between the two coupling halves. The sleeve is designed so that it has only to be moved in the relevant direction for disconnecting or connecting of coupling halves. SVK-1H quick release couplings can be used as pull-off couplings by panel mounting the sleeve bush.

Materials: galvanised steel with hardened parts subject to wear - Brass valve stem guide - TPE poppet valve seal (PTFE optional) - HNBR O-rings (other materials optional) - Galvanised steel threaded adapters for various connection types - Polyethylene dust cap and dust plug. Top Coat Cr-III zinc plating with additional trivalent passivation for outstanding surface protection.

Application: suitable for liquid lines with mineral oil-based hydraulic fluids to DIN 51524 T1+T2. Also available for flame-resistant hydraulic fluids to VDMA 24317, for pneumatic and water hydraulics in appropriate materials on request.

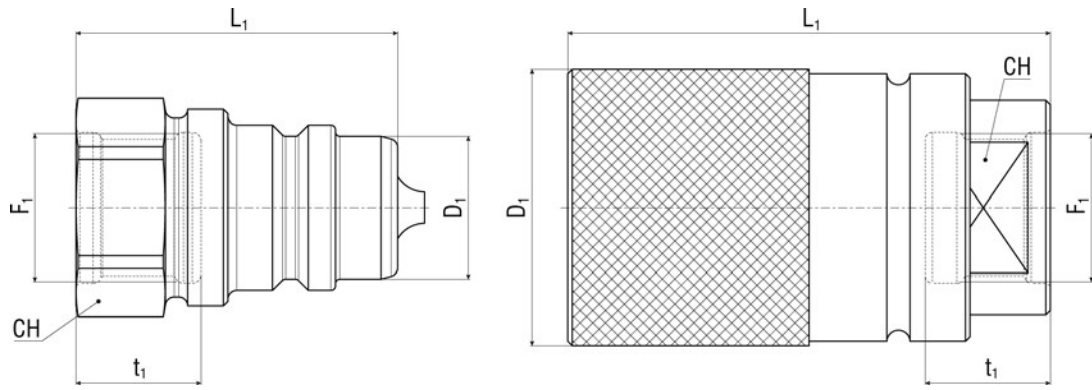
Norm:

ISO 5675
SAE J 1036

Temperature range:

-30 °C +100 °C

Note: other sizes and connection types available on request. Specific instructions for installation, use and maintenance are separately provided.



STANDARD ISO 5675 - POPPET SVK-1H

Female coupling - Female thread

Item Code	↻			WP Conn. MPa	Thread 1	F1	D1	t1	CH	L1
	Dash	mm	inch							
1219634	05	8,0	5/16"	40,0	BSPP	3/8-19	32,0	9,0	19,0	54,0
1219632	08	13,0	1/2"	25,0	BSPP	1/2-14	39,0	16,0	27,0	63,0
1229069	12	19,0	3/4"	25,0	BSPP	1-11	51,0	18,0	36,0	88,5
1229089	05	8,0	5/16"	40,0	MET	M16X1.5	32,0	9,0	19,0	54,0
1229090	08	13,0	1/2"	25,0	MET	M22X1.5	39,0	16,0	27,0	63,0
1229091	12	19,0	3/4"	25,0	MET	M30X1.5	51,0	18,0	36,0	88,5

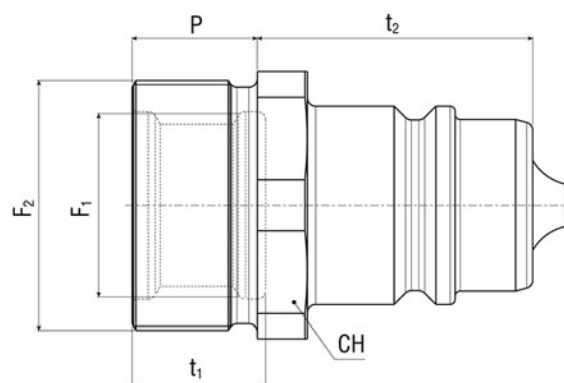
BSPP connection according to DIN 3852-2-X, NPTF connection according to ANSI B1-20.3, metric connection according to DIN 3852, SAE UNF/UN connection according to SAE J 1926-1.

STANDARD ISO 5675 - POPPET SVK-1H

Male coupling - Female thread

Item Code	↻			WP Conn. MPa	Thread 1	F1	D1	t1	CH	L1
	Dash	mm	inch							
1219633	05	8,0	5/16"	40,0	BSPP	3/8-19	16,0	14,0	22,0	36,0
1219631	08	13,0	1/2"	25,0	BSPP	1/2-14	20,6	16,0	27,0	45,0
1229020	12	19,0	3/4"	25,0	BSPP	1-11	34,0	18,0	41,0	55,0
1229061	05	8,0	5/16"	40,0	MET	M16X1.5	16,0	14,0	22,0	36,0
1229062	08	13,0	1/2"	25,0	MET	M22X1.5	20,6	16,0	27,0	45,0
1229063	12	19,0	3/4"	25,0	MET	M30X1.5	34,0	18,0	41,0	55,0

BSPP connection according to DIN 3852-2-X, NPTF connection according to ANSI B1-20.3, metric connection according to DIN 3852, SAE UNF/UN connection according to SAE J 1926-1.

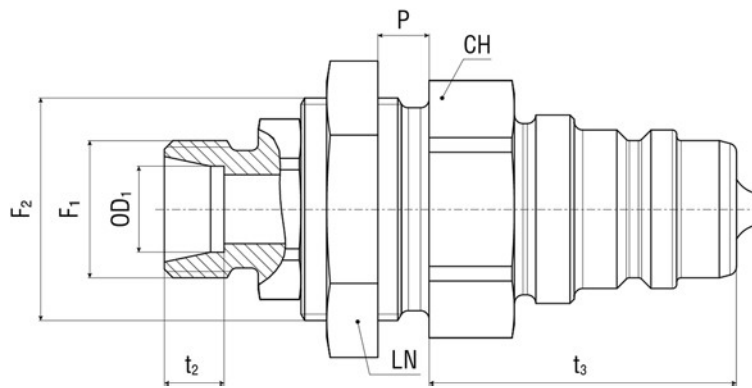


STANDARD ISO 5675 - POPPET SVK-1H

Male coupling - Internal/external thread panel mounting


Item Code				WP Conn. MPa	Thread 1	F1	F2	t1	t3	CH	P
	Dash	mm	inch					mm	mm	mm	mm
1229058	05	8,0	5/16"	40,0	MET	M16X1,5	M26x1,5	14,0	36,0	27,0	15,0
1229059	08	13,0	1/2"	25,0	MET	M22X1,5	M30x1	16,0	33,0	32,0	15,0
1229060	12	19,0	3/4"	25,0	MET	M30X1,5	M45x1,5	18,0	55,0	46,0	28,0

Metric connection according to DIN 3852.

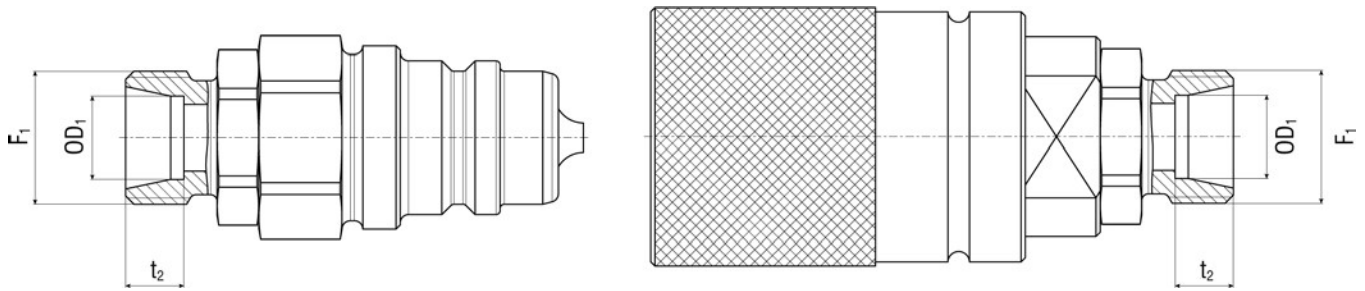


STANDARD ISO 5675 - POPPET SVK-1H

Male coupling - Metric 24° light/heavy series panel mounting


Item Code				WP Conn.	Thread 1	F1	F2	OD1	t2	t3	CH	LN	P
	Dash	mm	inch										
1229022	05	8,0	5/16"	40,0	D24L	M12X1,5	M26x1,5	6	7,0	36,0	27,0	30,0	9,0
1229024	05	8,0	5/16"	40,0	D24L	M14X1,5	M26x1,5	8	7,0	36,0	27,0	30,0	9,0
1229026	05	8,0	5/16"	40,0	D24L	M16X1,5	M26x1,5	10	7,0	36,0	27,0	30,0	9,0
1229028	08	13,0	1/2"	25,0	D24L	M16X1,5	M30x1	10	7,0	33,0	32,0	36,0	9,0
1229030	08	13,0	1/2"	25,0	D24L	M18X1,5	M30x1	12	7,0	33,0	32,0	36,0	9,0
1229031	08	13,0	1/2"	25,0	D24L	M22X1,5	M30x1	15	7,0	33,0	32,0	36,0	9,0
1229034	12	19,0	3/4"	25,0	D24L	M22X1,5	M45x1,5	15	7,0	55,0	46,0	55,0	18,0
1229036	12	19,0	3/4"	25,0	D24L	M26X1,5	M45x1,5	18	7,5	55,0	46,0	55,0	18,0
1229037	12	19,0	3/4"	25,0	D24L	M30X2	M45x1,5	22	7,5	55,0	46,0	55,0	18,0
1229041	05	8,0	5/16"	40,0	D24S	M16X1,5	M26x1,5	8	7,0	36,0	27,0	30,0	9,0
1229043	05	8,0	5/16"	40,0	D24S	M18X1,5	M26x1,5	10	7,5	36,0	27,0	30,0	9,0
1229044	05	8,0	5/16"	40,0	D24S	M20X1,5	M26x1,5	12	7,5	36,0	27,0	30,0	9,0
1229047	08	13,0	1/2"	25,0	D24S	M20X1,5	M30x1	12	7,5	33,0	32,0	36,0	9,0
1229049	08	13,0	1/2"	25,0	D24S	M22X1,5	M30x1	14	8,0	33,0	32,0	36,0	9,0
1229050	08	13,0	1/2"	25,0	D24S	M24X1,5	M30x1	16	8,5	33,0	32,0	36,0	9,0
1229053	12	19,0	3/4"	25,0	D24S	M24X1,5	M45x1,5	16	8,5	55,0	46,0	55,0	18,0
1229054	12	19,0	3/4"	25,0	D24S	M30X2	M45x1,5	20	10,5	55,0	46,0	55,0	18,0
1229055	12	19,0	3/4"	25,0	D24S	M36X2	M45x1,5	25	12,0	55,0	46,0	55,0	18,0

Metric connection according to DIN EN ISO 8434-1.



STANDARD ISO 5675 - POPPET SVK-1H


Female coupling - Metric 24° light series

Item Code				WP Conn. MPa	Thread 1	F1	OD1 mm	t2 mm
	Dash	mm	inch					
1229070	05	8,0	5/16"	40,0	D24L	M12X1,5	6	7,0
1229071	05	8,0	5/16"	40,0	D24L	M14X1,5	8	7,0
1229072	05	8,0	5/16"	40,0	D24L	M16X1,5	10	7,0
1229073	08	13,0	1/2"	25,0	D24L	M16X1,5	10	7,0
1229074	08	13,0	1/2"	25,0	D24L	M18X1,5	12	7,0
1229075	08	13,0	1/2"	25,0	D24L	M22X1,5	15	7,0
1229076	12	19,0	3/4"	25,0	D24L	M22X1,5	15	7,0
1229077	12	19,0	3/4"	25,0	D24L	M26X1,5	18	7,5
1229078	12	19,0	3/4"	25,0	D24L	M30X2	22	7,5

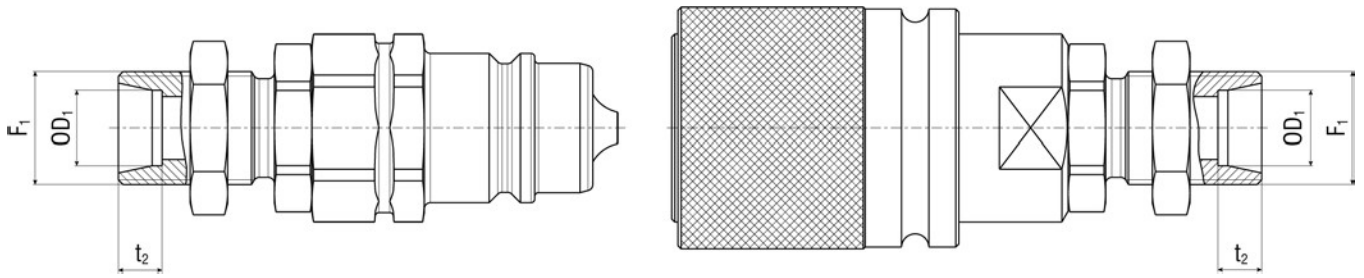
Metric connection according to DIN EN ISO 8434-1.

STANDARD ISO 5675 - POPPET SVK-1H

Male coupling - Metric 24° light series


Item Code				WP Conn. MPa	Thread 1	F1	OD1 mm	t2 mm
	Dash	mm	inch					
1229021	05	8,0	5/16"	40,0	D24L	M12X1,5	6	7,0
1229023	05	8,0	5/16"	40,0	D24L	M14X1,5	8	7,0
1229025	05	8,0	5/16"	40,0	D24L	M16X1,5	10	7,0
1229027	08	13,0	1/2"	25,0	D24L	M16X1,5	10	7,0
1229029	08	13,0	1/2"	25,0	D24L	M18X1,5	12	7,0
1229032	08	13,0	1/2"	25,0	D24L	M22X1,5	15	7,0
1229033	12	19,0	3/4"	25,0	D24L	M22X1,5	15	7,0
1229035	12	19,0	3/4"	25,0	D24L	M26X1,5	18	7,5
1229038	12	19,0	3/4"	25,0	D24L	M30X2	22	7,5

Metric connection according to DIN EN ISO 8434-1.



STANDARD ISO 5675 - POPPET SVK-1H


Female coupling - Metric 24° light series bulkhead

Item Code				WP Conn.	Thread 1	F1	OD1	t2
	Dash	mm	inch	MPa			mm	mm
1229079	08	13,0	1/2"	25,0	D24L	M18X1,5	12	7,0

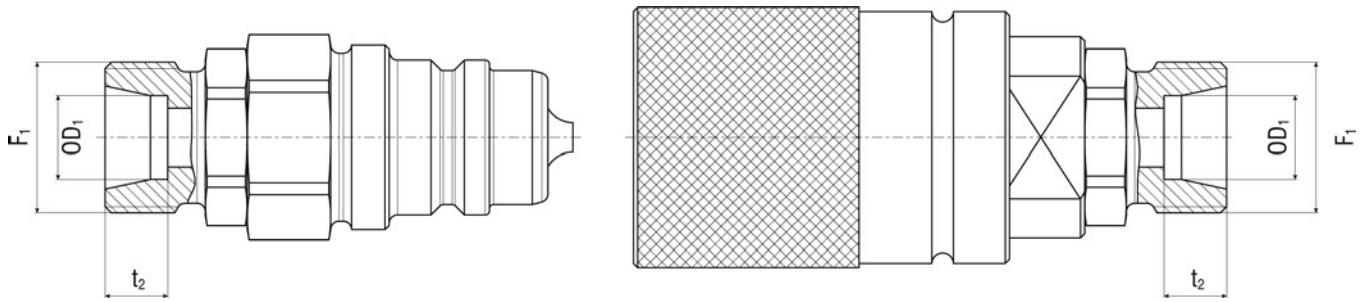
Metric connection according to DIN EN ISO 8434-1.

STANDARD ISO 5675 - POPPET SVK-1H

Male coupling - Metric 24° light series bulkhead

Item Code				WP Conn.	Thread 1	F1	OD1	t2
	Dash	mm	inch	MPa			mm	mm
1229039	08	13,0	1/2"	25,0	D24L	M18X1,5	12	7,0

Metric connection according to DIN EN ISO 8434-1.



STANDARD ISO 5675 - POPPET SVK-1H

Female coupling - Metric 24° heavy series

Item Code	—⊗—			WP Conn. MPa	Thread 1	F1	OD1 mm	t2 mm
	Dash	mm	inch					
1229080	05	8,0	5/16"	40,0	D24S	M16X1,5	8	7,0
1229081	05	8,0	5/16"	40,0	D24S	M18X1,5	10	7,5
1229082	05	8,0	5/16"	40,0	D24S	M20X1,5	12	7,5
1229083	08	13,0	1/2"	25,0	D24S	M20X1,5	12	7,5
1229084	08	13,0	1/2"	25,0	D24S	M22X1,5	14	8,0
1229085	08	13,0	1/2"	25,0	D24S	M24X1,5	16	8,5
1229086	12	19,0	3/4"	25,0	D24S	M24X1,5	16	8,5
1229087	12	19,0	3/4"	25,0	D24S	M30X2	20	10,5
1229088	12	19,0	3/4"	25,0	D24S	M36X2	25	12,0

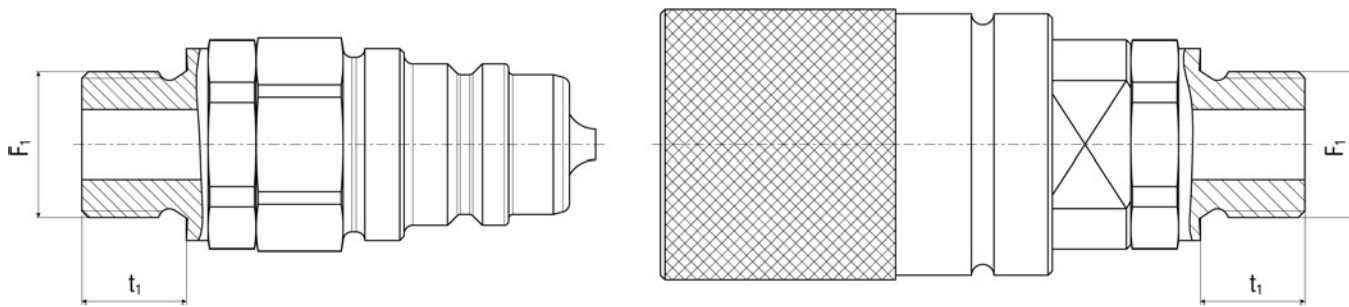
Metric connection according to DIN EN ISO 8434-1.

STANDARD ISO 5675 - POPPET SVK-1H

Male coupling - Metric 24° heavy series

Item Code	—⊗—			WP Conn. MPa	Thread 1	F1	OD1 mm	t2 mm
	Dash	mm	inch					
1229040	05	8,0	5/16"	40,0	D24S	M16X1,5	8	7,0
1229042	05	8,0	5/16"	40,0	D24S	M18X1,5	10	7,5
1229045	05	8,0	5/16"	40,0	D24S	M20X1,5	12	7,5
1229046	08	13,0	1/2"	25,0	D24S	M20X1,5	12	7,5
1229048	08	13,0	1/2"	25,0	D24S	M22X1,5	14	8,0
1229051	08	13,0	1/2"	25,0	D24S	M24X1,5	16	8,5
1229052	12	19,0	3/4"	25,0	D24S	M24X1,5	16	8,5
1229056	12	19,0	3/4"	25,0	D24S	M30X2	20	10,5
1229057	12	19,0	3/4"	25,0	D24S	M36X2	25	12,0

Metric connection according to DIN EN ISO 8434-1.



STANDARD ISO 5675 - POPPET SVK-1H

Female coupling - Male thread

Item Code	⊗			WP Conn. MPa	Thread 1	F1	t1
	Dash	mm	inch				mm
1229064	05	8,0	5/16"	40,0	BSPP	1/4-19	12,0
1229065	05	8,0	5/16"	40,0	BSPP	3/8-19	12,0
1229066	08	13,0	1/2"	25,0	BSPP	1/2-14	14,0
1229068	12	19,0	3/4"	25,0	BSPP	3/4-14	16,0
1229067	12	19,0	3/4"	25,0	BSPP	1-11	18,0

AGF connection according to DIN 3901 heavy duty range with pipe thread G (BSPP), type A to DIN 3852-2.

STANDARD ISO 5675 - POPPET SVK-1H

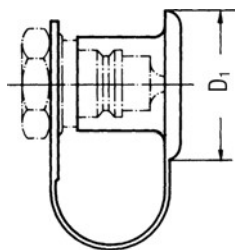
Male coupling - Male thread

Item Code	⊗			WP Conn. MPa	Thread 1	F1	t1
	Dash	mm	inch				mm
1229015	05	8,0	5/16"	40,0	BSPP	1/4-19	12,0
1229016	05	8,0	5/16"	40,0	BSPP	3/8-19	12,0
1229017	08	13,0	1/2"	25,0	BSPP	1/2-14	14,0
1229019	12	19,0	3/4"	25,0	BSPP	3/4-14	16,0
1229018	12	19,0	3/4"	25,0	BSPP	1-11	18,0

AGF connection according to DIN 3901 heavy duty range with pipe thread G (BSPP), type A to DIN 3852-2.

STANDARD ISO 5675 - POPPET SVK-1H

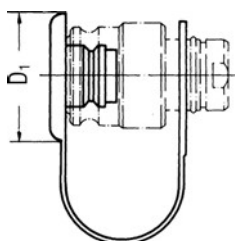
Dust cap for male coupling



Item Code	Colour	Material	⊙			D1
			Dash	mm	inch	mm
1228896	-	PE	05	8,0	5/16"	45,0
1228891	-	PE	08	13,0	1/2"	50,0
1228893	-	PE	12	19,0	3/4"	65,0

STANDARD ISO 5675 - POPPET SVK-1H

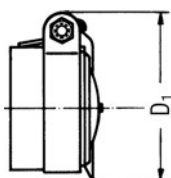
Dust plug for female coupling



Item Code	Colour	Material	⊙			D1
			Dash	mm	inch	mm
1228903	-	PE	05	8,0	5/16"	45,0
1228898	-	PE	08	13,0	1/2"	50,0
1228900	-	PE	12	19,0	3/4"	65,0

STANDARD ISO 5675 - POPPET SVK-1H

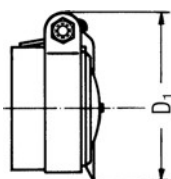
Dust cap with clip for female coupling



Item Code	Colour	Material	⊙			D1
			Dash	mm	inch	mm
1240270	BLK	-	08	13,0	1/2"	-
1234642	BLU	PE	08	13,0	1/2"	-
1219264	RED	PA-Nylon	08	13,0	1/2"	-

STANDARD ISO 5675 - POPPET SVK-1H

Dust cap with clip for female coupling and coloured disk



Item Code	Colour	Material	⊙			D1
			Dash	mm	inch	mm
1240274	BLK	PE	08	13,0	1/2"	-