

3CFPV

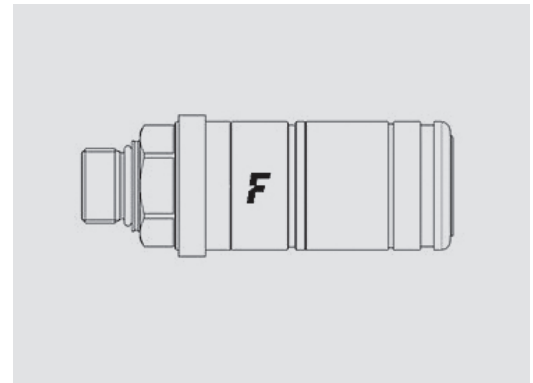


Push-pull female couplings for agriculture.

Push-pull coupling, connectable with male under residual pressure. Breakaway function. Can be screwed directly into valve ports or rigid pipes. ISO 7241-1 part A interchange.



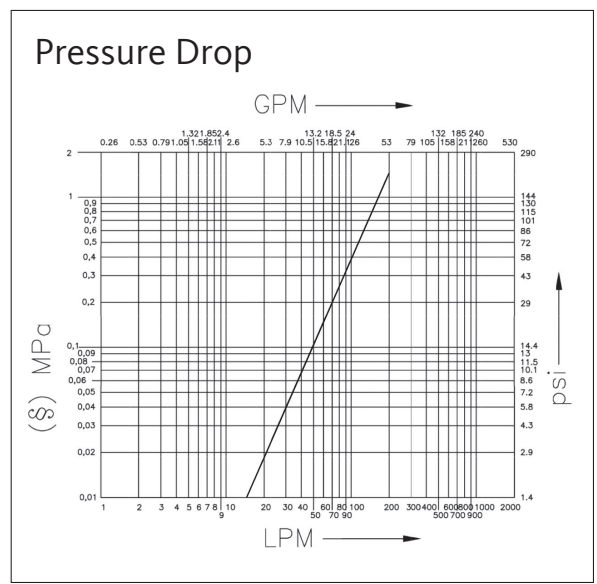
Applications



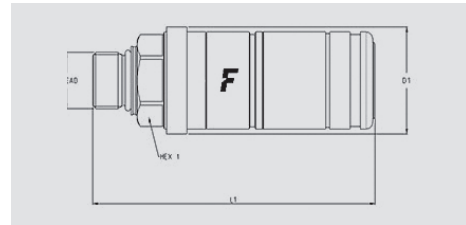
Technical Specifications

dash	Size		Working Pressure (MPa)	Flow Rate (l/min)	Spillage (ml)	Force to Connect (N)	Burst pressure (MPa)		
	mm	inch					Male	Female	Male + Female
08	12,5	1/2"	25	70	2	250		100	110

Material	Steel
Seals	NBR
Working temperatures	- 25 °C to + 125 °C
Surface treatment	MATE 500 (CrIII)
Series Interchange	ISO 7241-A
Valve Type	Poppet
Connection	Push to Connect
Disconnection	Pull to Disconnect
Connection Under Pressure	Allowed Male Half up to W.P.

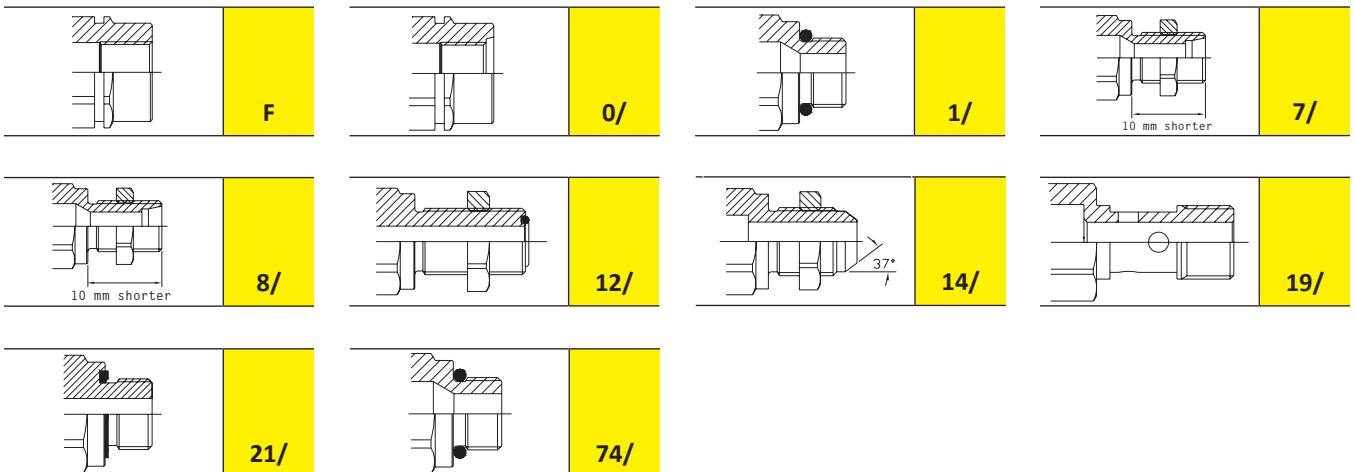


3CFPV



Size		Thread details			FEMALE						
inch	mm	Thread Type	Standard	Thread	Part Number	L (L1 + Thread)		D1		HEX1	
						mm	inch	mm	inch	mm	inch
1/2"	12,5	01/ SAE	ISO 11926-3	3/4"-16 UNF MALE	3CFPV1/34UNF F	106,8	4,2	42	1,7	32	1,3
1/2"	12,5	F BSPP	ISO 1179-1	BSPP 1/2 FEMALE	3CFPV 12 GAS F	107,2	4,2	42	1,7	27	1,1
1/2"	12,5	F NPTF	ANSI B1.20.3	NPTF 1/2 FEMALE	3CFPV 12 NPT F	107,2	4,2	42	1,7	27	1,1
1/2"	12,5	O/ SAE	ISO 11926-1	3/4"-16 UNF FEMALE ORB	3CFPV 34 UNF F	107,2	4,2	42	1,7	27	1,1
1/2"	12,5	F NPTF	ANSI B1.20.3	NPTF 1/2 FEMALE	3CFPV12NPT F T	107,2	4,2	42	1,7	27	1,1
1/2"	12,5	F NPTF	ANSI B1.20.3	NPTF 1/2 FEMALE	3CFPV12NPT F TN	107,2	4,2	42	1,7	27	1,1
1/2"	12,5	01/ SAE	ISO 11926-3	7/8"-14 UNF MALE	3CFPV1/78UNF F	108,4	4,3	42	1,7	32	1,3
1/2"	12,5	01/ SAE	ISO 11926-3-L	7/8"-14 UNF MALE	3CFPV081/58SF	108,7	4,3	42	1,7	32	1,3
1/2"	12,5	74/ BSPP	JIS B 2351-1	BSPP 3/8 MALE	3CFPV0874/38GF	109,2	4,3	42	1,7	32	1,3
1/2"	12,5	01/ METRIC	ISO 6149-2	M18x1,5 MALE	3CFPV0821/18FU	109,7	4,3	42	1,7	32	1,3
1/2"	12,5	01/ BSPP	ISO 1179-3	1/2" BSPP MALE	3CFPV081/12G F	109,7	4,3	42	1,7	32	1,3
1/2"	12,5	21/ METRIC	ISO 9974-2	M22x1,5 MALE	3CFPV21/2215 F	110,2	4,3	42	1,7	32	1,3
1/2"	12,5	21/ METRIC	ISO 9974-2	M22x1,5 MALE	3CFPV21/22F U	110,2	4,3	42	1,7	32	1,3
1/2"	12,5	21/ METRIC	ISO 9974-2	M22x1,5 MALE	3CFPV 1/2215 F	110,7	4,4	42	1,7	32	1,3
1/2"	12,5	01/ METRIC	ISO 6149-2	M18x1,5 MALE	3CFPV 1/1815 F	113,2	4,5	42	1,7	32	1,3
1/2"	12,5	08/ METRIC	ISO 8434-1-S	M24x1.5 MALE BULKHEAD SHORT 16S	3CFPV 8/2415 F	121,4	4,8	42	1,7	32	1,3
1/2"	12,5	07/ METRIC	ISO 8434-1-L	M18x1.5 MALE BULKHEAD SHORT 12L	3CFPV 7/1815 F	122,2	4,8	42	1,7	32	1,3
1/2"	12,5	07/ METRIC	ISO 8434-1-L	M18x1.5 MALE BULKHEAD SHORT 12L	3CFPV087/18F U	122,2	4,8	42	1,7	32	1,3
1/2"	12,5	07/ METRIC	ISO 8434-1-L	M22x1.5 MALE BULKHEAD SHORT 15L	3CFPV 7/2215 F	123,4	4,9	42	1,7	32	1,3
1/2"	12,5	07/ METRIC	ISO 8434-1-L	M22x1.5 MALE BULKHEAD SHORT 15L	3CFPV087/22F U	123,4	4,9	42	1,7	32	1,3
1/2"	12,5	14/ SAE	ISO 8434-2	3/4"-16 UN MALE BULKHEAD JIC	3CFPV14/34UNFF	124,8	4,9	42	1,7	32	1,3
1/2"	12,5	07/ METRIC	ISO 8434-1-L	M26x1.5 MALE BULKHEAD SHORT 18L	3CFPV087/2615F	126,2	5	42	1,7	32	1,3
1/2"	12,5	14/ SAE	ISO 8434-2	7/8"-14 UNF MALE BULKHEAD JIC	3CFPV14/78UNFF	128,7	5,1	42	1,7	32	1,3
1/2"	12,5	12/ SAE	ISO 8434-3	1"-14 UNS MALE BULKHEAD ORFS	3CFPV12/1UNS F	130,2	5,1	42	1,7	32	1,3
1/2"	12,5	12/ SAE	ISO 8434-3	1"-14 UNS MALE BULKHEAD ORFS	3CFPV12/1UNSFU	130,2	5,1	42	1,7	32	1,3
1/2"	12,5	19/ METRIC	DIN 7642	M22x1,5 MALE	3CFPV19/2215 F	134,7	5,3	42	1,7	32	1,3
1/2"	12,5	19/ METRIC	DIN 7642	M22x1,5 MALE	3CFPV19/22FSDFU	137,7	5,4	42	1,7	32	1,3

* Part Number ending with "U" have seals in PUR.

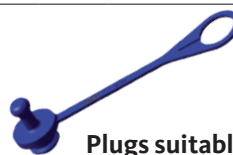


3CFPV Accessories

PVC dust caps



Plugs suitable for FEMALE



Plugs suitable for FEMALE

Size			Plug Details		Size			Plug Details	
inch	mm	dash	Part number	Colour	inch	mm	dash	Part number	Colour
1/2"	12,5	08	TM 12 L	blue	1/2"	12,5	08	TM 12-38	blue
1/2"	12,5	08	TM 12 L/A	orange	1/2"	12,5	08	TM 12-38 G	yellow
1/2"	12,5	08	TM 12 L/G	yellow	1/2"	12,5	08	TM 12-38 GR	grey
1/2"	12,5	08	TM 12 L/M	brown	1/2"	12,5	08	TM 12-38 M	brown
1/2"	12,5	08	TM 12 L/N	black	1/2"	12,5	08	TM 12-38 N	black
1/2"	12,5	08	TM 12 L/R	red	1/2"	12,5	08	TM 12-38 R	red
1/2"	12,5	08	TM 12 L/V	green	1/2"	12,5	08	TM 12-38 V	green

Acetal Resin (POM) dust caps



Caps suitable for FEMALE

Size			Cap Details	
inch	mm	dash	Part number	Colour
1/2"	12,5	08	TA 12	blue
1/2"	12,5	08	TA 12 G	yellow
1/2"	12,5	08	TA 12 G UV	yellow
1/2"	12,5	08	TA 12 GR	grey
1/2"	12,5	08	TA 12 M	brown
1/2"	12,5	08	TA 12 M UV	brown
1/2"	12,5	08	TA 12 N	black
1/2"	12,5	08	TA 12 N UV	black
1/2"	12,5	08	TA 12 R	red
1/2"	12,5	08	TA 12 R UV	red
1/2"	12,5	08	TA 12 UV	blue
1/2"	12,5	08	TA 12 V	green
1/2"	12,5	08	TA 12 V UV	green
1/2"	12,5	08	TAID 12 N	Black automatic cap with possibility to identify the lines with a plastic ID, having different colors and +/- information. To order this cap and the ID, please contact Faster

3CFPV accessories

Aluminium dust caps



Plugs suitable for FEMALE

Size			Plug Details	
inch	mm	dash	Part number	Colour
1/2"	12,5	08	TM 12 S	

To order modular automatic caps with oil collecting system, please, contact Faster.

Seal Kits



For Female

Size			Seal Details	
inch	mm	dash	Material	Part Number
1/2"	12,5	08	HNBR; PTFE	KIT AE12S+OR12H
1/2"	12,5	08	NBR; PTFE	SK NV 12

Every seals kit is composed of 5 or 10 pcs.