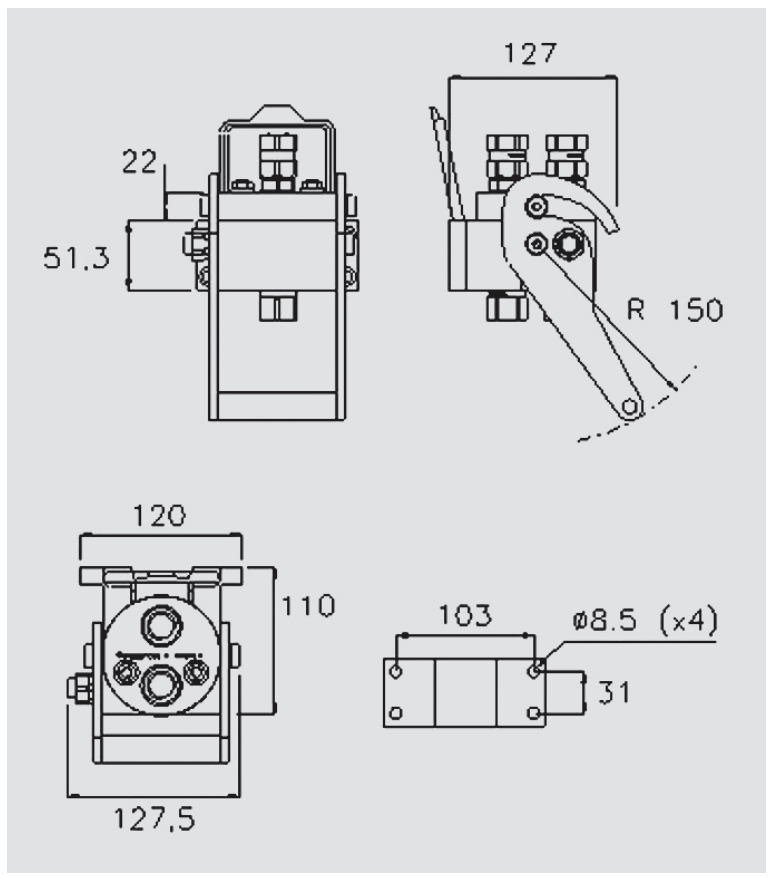




# P206

Multifaster, 2 lines, size 06.

## Applications



## Technical Specifications

dash	Size		Working Pressure (MPa)	Flow Rate (l/min)	Spillage (ml)	Burst pressure (MPa)		
	mm	inch				Male	Female	Male + Female
06	10	3/8"	25	40	0,008	100	100	100

Material	Aluminium; Steel	Valve Type	Flat
Seals	NBR; PUR	Connection	Lever
Working temperatures	- 25 °C to 100 °C	Disconnection	Lever
Surface treatment	MATE 500 (CrIII); Paint	Connection Under Pressure	Allowed Residual

# P206

Size					Thread Type					FIXED
dash	mm	inch	Housing	Number of Couplings	Thread Type	Standard	Thread	Electrical Connector N	Connector Type	Part Number
06	10	3/8"	2	2	02/ METRIC	ISO 8434-1-L	M18x1,5 MALE 12L			2P206-2-2/18F C
06	10	3/8"	2	2	02/ METRIC	ISO 8434-1-L	M22x1,5 MALE 15L			2P206-2-2/22F C
06	10	3/8"	2	2	F BSPP	ISO 1179-1	BSPP 3/8" FEMALE			2P206-2-38G F C
06	10	3/8"	2	2	F BSPP	ISO 1179-1	BSPP 1/2" FEMALE			2P206-2-12G F C

Size					Thread Type					MOBILE
dash	mm	inch	Housing	Number of Couplings	Thread Type	Standard	Thread	Electrical Connector N	Connector Type	Part Number
06	10	3/8"	2	2	F BSPP	ISO 1179-1	BSPP 3/8" FEMALE			3P206-2-38G M C
06	10	3/8"	2	2	F BSPP	ISO 1179-1	BSPP 3/8" FEMALE			3P206-2-12G M C
06	10	3/8"	2	2	0/ SAE	ISO 11926-1	9/16"-18 UNF FEMALE ORB			2P206-2-38S M C
06	10	3/8"	2	2	02/ METRIC	ISO 8434-1-L	M18x1,5 MALE 12L			2P206-2-2/18M C
06	10	3/8"	2	2	02/ METRIC	ISO 8434-1-L	M22x1,5 MALE 15L			2P206-2-2/22M C
06	10	3/8"	2	2	F BSPP	ISO 1179-1	BSPP 3/8" FEMALE			2P206-2-38G M C
06	10	3/8"	2	2	F BSPP	ISO 1179-1	BSPP 1/2" FEMALE			2P206-2-12G M C

