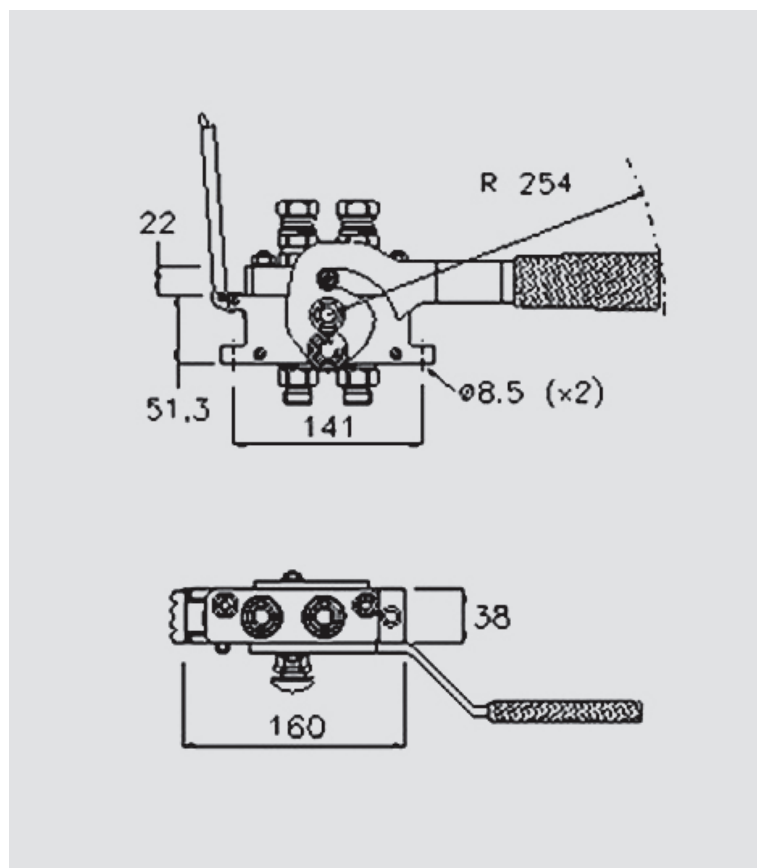
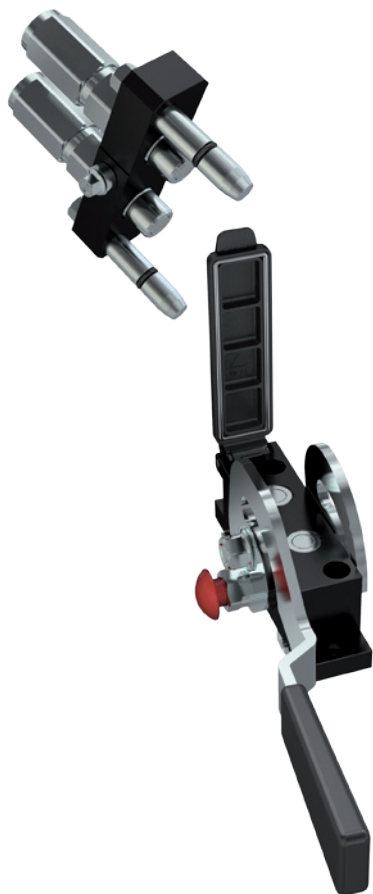




PBo6

Multifaster, 2 lines, size o6.

Applications



Technical Specifications

dash	Size		Working Pressure (MPa)	Flow Rate (l/min)	Spillage (ml)	Burst pressure (MPa)		
	mm	inch				Male	Female	Male + Female
06	10	3/8"	25	40	0,008	100	100	100

Material	Aluminium; Steel	Valve Type	Flat
Seals	NBR; PUR	Connection	Lever
Working temperatures	- 25 °C to 100 °C	Disconnection	Lever
Surface treatment	MATE 500 (CrIII); Paint	Connection Under Pressure	Allowed Residual

PBo6

Size					Thread Type			Electrical Connector		FIXED
dash	mm	inch	Housing	Number of Couplings	Thread Type	Standard	Thread	N	Type	Part Number
06	10	3/8"	2	2	02/ METRIC	ISO 8434-1-L	M22x1,5 MALE 15L			2PB06-2-2/22FC
06	10	3/8"	2	2	16/ BSPP	ISO 8434-6	60° 1/2" BSPP MALE			2PB06-2-16/DGFC
06	10	3/8"	2	2	16/ BSPP	ISO 8434-6	60° 3/8" BSPP MALE			2PB06-2-16/CGFC
06	10	3/8"	2	2	13/ SAE	ISO 8434-2	7/8"-14 UNF MALE JIC			2PB06-2-13/GSFC
06	10	3/8"	2	2	13/ SAE	ISO 8434-2	3/4"-16 UNF MALE JIC			2PB06-2-13/FSFC
06	10	3/8"	2	2	F BSPP	ISO 1179-1	BSPP 3/8" FEMALE			2PB06-2-38G FC
06	10	3/8"	2	2	F BSPP	ISO 1179-1	BSPP 1/2" FEMALE			2PB06-2-12G FC

Size					Thread Type			Electrical Connector		MOBILE
dash	mm	inch	Housing	Number of Couplings	Thread Type	Standard	Thread	N	Type	Part Number
06	10	3/8"	2	2	11/ SAE	ISO 8434-3	13/16"-16 UN MALE ORFS			3PB06-2-HMC
06	10	3/8"	2	2	20/ BSPP	ISO 8434-6	1/2" BSPP FEMALE SWIVEL NUT			3PB06-2-20/DGMC
06	10	3/8"	2	2	02/ METRIC	ISO 8434-1-L	M22x1,5 MALE 15L			3PB06-2-2/22MC
06	10	3/8"	2	2	F NPTF	ANSI B1.20.3	NPTF 1/2" FEMALE			2PB06-2-12N MC
06	10	3/8"	2	2	F BSPP	ISO 1179-1	BSPP 1/2" FEMALE			3PB06-2-12G MC
06	10	3/8"	2	2	F BSPP	ISO 1179-1	BSPP 3/8" FEMALE			2PB06-2-38G MC
06	10	3/8"	2	2	F BSPP	ISO 1179-1	BSPP 1/2" FEMALE			2PB06-2-12G MC

