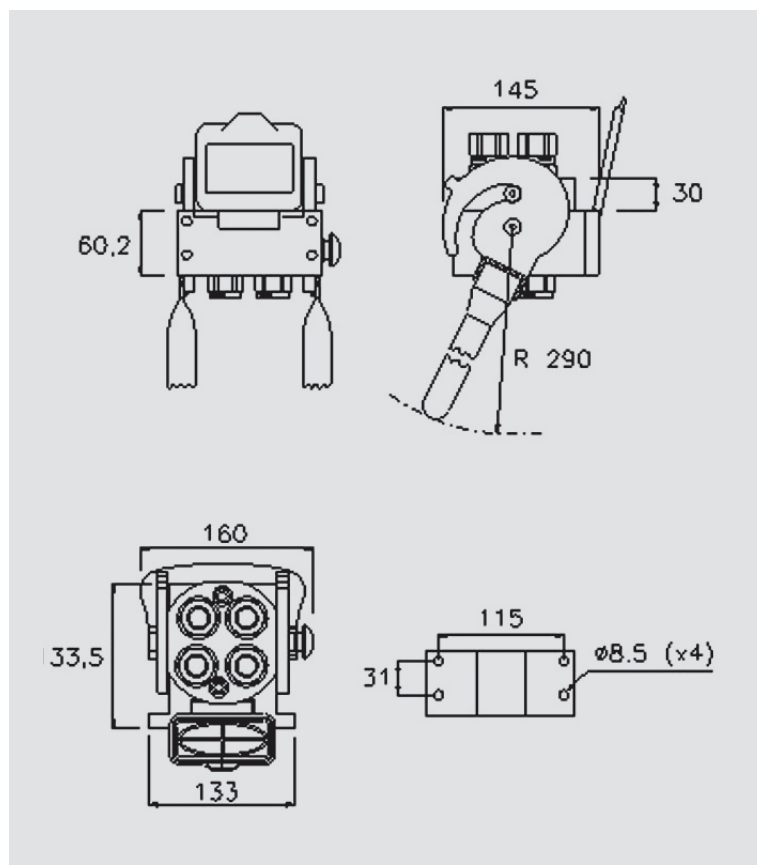


P508



Multifaster 4 lines, size o8.

Applications



Technical Specifications

dash	Size		Working Pressure (MPa)	Flow Rate (l/min)	Spillage (ml)	Burst pressure (MPa)		
	mm	inch				Male	Female	Male + Female
08	12,5	1/2"	25	70	0,01	100	100	100

Material	Aluminium; Steel	Valve Type	Flat
Seals	NBR; PUR	Connection	Lever
Working temperatures	- 25 °C to 100 °C	Disconnection	Lever
Surface treatment	MATE 500 (CrIII); Paint	Connection Under Pressure	Allowed Residual

P508

Size					Thread Type					FIXED
dash	mm	inch	Housing	Number of Couplings	Thread Type	Standard	Thread	Electrical Connector N	Connector Type	Part Number
08	12,5	1/2"	4	4	O/ SAE	ISO 11926-1	1-1/16"-12 UN FEMALE ORB			2P508-4-34S F C
08	12,5	1/2"	4	4	O3/ METRIC	ISO 8434-1-S	M24x1,5 MALE 16S			2P508-4-3/24F C
08	12,5	1/2"	4	4	O/ SAE	ISO 11926-1	3/4"-16 UNF FEMALE ORB			2P508-4-12S F C
08	12,5	1/2"	4	4	F NPTF	ANSI B1.20.4	NPTF 1/2" FEMALE			2P508-4-12N F C
08	12,5	1/2"	4	3	O/ SAE	ISO 11926-1	3/4"-16 UNF FEMALE ORB			2P508-3-12S F C
08	12,5	1/2"	4	2	F BSPP	ISO 1179-1	BSPP 1/2" FEMALE			2P508-2-2-12GFC
08	12,5	1/2"	4	2	O/ SAE	ISO 11926-1	3/4"-16 UNF FEMALE ORB	1	3 PINS	2P508-1-2-12SFC
08	12,5	1/2"	4	3	F BSPP	ISO 1179-1	BSPP 1/2" FEMALE	1	3	2P508-1-3-12GFC
08	12,5	1/2"	4	4	F BSPP	ISO 1179-1	BSPP 1/2" FEMALE			3P508-4-12G F C
08	12,5	1/2"	4	4	F BSPP	ISO 1179-1	BSPP 1/2" FEMALE			2P508-4-12G F C

Size					Thread Type					MOBILE
dash	mm	inch	Housing	Number of Couplings	Thread Type	Standard	Thread	Electrical Connector N	Connector Type	Part Number
08	12,5	1/2"	4	4	O3/ METRIC	ISO 8434-1-S	M24x1,5 MALE 16S			3P508-4-3/24M C
08	12,5	1/2"	4	4	O/ SAE	ISO 11926-1	3/4"-16 UNF FEMALE ORB			3P508-4-12S M C
08	12,5	1/2"	4	2	20/ BSPP	ISO 8434-6	BSPP 1/2" FEMALE SWIVEL NUT			3P508-2-A M C
08	12,5	1/2"	4	2	F BSPP	ISO 1179-1	BSPP 1/2" FEMALE			3P508-2-12G M C
08	12,5	1/2"	4	3	F BSPP	ISO 1179-1	BSPP 1/2" FEMALE	1	3 PINS	3P508-1-3-12GMC
08	12,5	1/2"	4	4	O/ SAE	ISO 11926-1	1-1/16"-12 UN FEMALE ORB			2P508-4-34S M C
08	12,5	1/2"	4	4	O3/ METRIC	ISO 8434-1-S	M24x1,5 MALE 16S			2P508-4-3/24M C
08	12,5	1/2"	4	4	O/ SAE	ISO 11926-1	3/4"-16 UNF FEMALE ORB			2P508-4-12S M C
08	12,5	1/2"	4	4	F NPTF	ANSI B1.20.3	NPTF 1/2" FEMALE			2P508-4-12N M C
08	12,5	1/2"	4	3	O/ SAE	ISO 11926-1	3/4"-16 UNF FEMALE ORB			2P508-3-12S M C
08	12,5	1/2"	4	2	O/ SAE	ISO 11926-1	3/4"-16 UNF FEMALE ORB	1	3 PINS	2P508-1-2-12SMC
08	12,5	1/2"	4	2	F BSPP	ISO 1179-1	BSPP 1/2" FEMALE	1	3 PINS	2P508-1-2-12GMC
08	12,5	1/2"	4	4	F BSPP	ISO 1179-1	BSPP 1/2" FEMALE			2P508-4-12G M C
08	12,5	1/2"	4	4	F BSPP	ISO 1179-1	BSPP 1/2" FEMALE			3P508-4-12G M C

