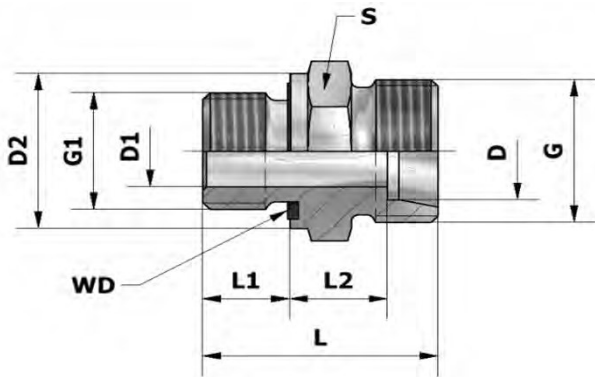


## XGE..M..ZWD - Gerader Einschraubstutzen

Metr. Einschraubzapfen mit WD (ISO 9974) / 24°-Anschluss

## XGE..M..ZWD - Straight male stud connector

thread: metric parallel with captive seal (ISO 9974) / 24° cone end



Reihe series	D	G	G1	D1	D2	L	L1	L2	S	Gewicht weight kg/100	Sach-Nr. comp.no.	Artikel-Nr. part.no.
L	6	M12x1,5	M10x1	4	14	23,5	8	8,5	14	1,30	1081/21	XGE6M10ZLWDPc3d
PN 500	8	M14x1,5	M12x1,5	6	17	29,0	12	10,0	17	2,20	1082/21	XGE8M12ZLWDPc3d
PN 315	10	M16x1,5	M12x1,5	6	17	30,0	12	11,0	17	2,30	14731/21	XGE10M12ZLWDPc3d
PN 500	10	M16x1,5	M14x1,5	7	19	30,0	12	11,0	19	2,90	1083/21	XGE10M14ZLWDPc3d
PN 420	10	M16x1,5	M16x1,5	8	22	31,5	12	12,5	22	4,00	8451/21	XGE10M16ZLWDPc3d
PN 400	10	M16x1,5	M18x1,5	8	24	31,5	12	12,5	24	5,00	9248/21	XGE10M18ZLWDPc3d
	10	M16x1,5	M22x1,5	8	27	35,0	14	14,0	27	8,00	8114/21	XGE10M22ZLWDPc3d
	12	M18x1,5	M14x1,5	7	19	30,0	12	11,0	19	3,00	13179/21	XGE12M14ZLWDPc3d
	12	M18x1,5	M16x1,5	9	22	31,5	12	12,5	22	4,00	1084/21	XGE12M16ZLWDPc3d
	12	M18x1,5	M18x1,5	10	24	31,5	12	12,5	24	4,70	9070/21	XGE12M18ZLWDPc3d
	12	M18x1,5	M22x1,5	10	27	35,0	14	14,0	27	7,50	4816/21	XGE12M22ZLWDPc3d
	15	M22x1,5	M16x1,5	9	22	32,0	12	13,0	24	6,40	8076/21	XGE15M16ZLWDPc3d
	15	M22x1,5	M18x1,5	11	24	32,5	12	13,5	24	5,10	1085/21	XGE15M18ZLWDPc3d
	15	M22x1,5	M22x1,5	12	27	36,0	14	15,0	27	7,70	8056/21	XGE15M22ZLWDPc3d
	18	M26x1,5	M18x1,5	11	24	33,5	12	14,0	27	6,80	9756/21	XGE18M18ZLWDPc3d
	18	M26x1,5	M22x1,5	14	27	36,0	14	14,5	27	7,40	1086/21	XGE18M22ZLWDPc3d
PN 250	22	M30x2	M22x1,5	14	27	38,0	14	16,5	32	9,70	8826/21	XGE22M22ZLWDPc3d
	22	M30x2	M26x1,5	18	32	40,0	16	16,5	32	10,30	1087/21	XGE22M26ZLWDPc3d
	28	M36x2	M33x2	23	40	43,0	18	17,5	41	16,80	1088/21	XGE28M33ZLWDPc3d
	35	M45x2	M42x2	30	50	48,0	20	17,5	50	28,10	1089/21	XGE35M42ZLWDPc3d
	42	M52x2	M48x2	36	55	52,0	22	19,0	55	35,60	1090/21	XGE42M48ZLWDPc3d
S	6	M14x1,5	M12x1,5	4	17	32,0	12	13,0	17	3,00	1091/21	XGE6M12ZSWDPc3d
PN 800	8	M16x1,5	M14x1,5	5	19	34,0	12	15,0	19	4,20	1092/21	XGE8M14ZSWDPc3d
	10	M18x1,5	M16x1,5	7	22	34,5	12	15,0	22	5,40	1093/21	XGE10M16ZSWDPc3d
PN 630	12	M20x1,5	M14x1,5	5	19	36,0	12	16,5	22	6,00	18360/21	XGE12M14ZSWDPc3d
	12	M20x1,5	M18x1,5	8	24	36,5	12	17,0	24	7,10	1094/21	XGE12M18ZSWDPc3d
	12	M20x1,5	M22x1,5	8	27	39,0	14	17,5	27	10,20	9754/21	XGE12M22ZSWDPc3d
	16	M24x1,5	M18x1,5	8	24	38,5	12	18,0	27	8,80	17677/21	XGE16M18ZSWDPc3d
	16	M24x1,5	M22x1,5	12	27	41,0	14	18,5	27	9,50	1096/21	XGE16M22ZSWDPc3d
PN 420	20	M30x2	M27x2	16	32	47,0	16	20,5	32	15,00	1097/21	XGE20M27ZSWDPc3d
	25	M36x2	M33x2	20	40	53,0	18	23,0	41	26,40	1098/21	XGE25M33ZSWDPc3d
	30	M42x2	M42x2	25	50	57,0	20	23,5	50	42,20	1099/21	XGE30M42ZSWDPc3d
	38	M52x2	M48x2	32	55	64,0	22	26,0	55	56,90	1100/21	XGE38M48ZSWDPc3d

Serienmäßig mit Weichdichtung aus NBR / Auf Wunsch mit FKM lieferbar  
 Supplied with fitted NBR-sealing / FKM on request