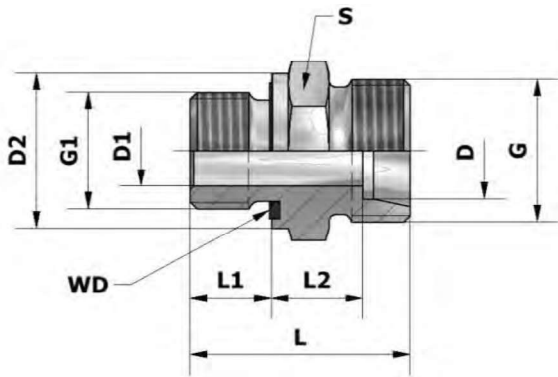


## XGE..R..ZWD - Gerader Einschraubstutzen

Zöll. Einschraubzapfen mit WD (ISO 1179) / 24°-Anschluss

## XGE..R..ZWD - Straight male stud connector

thread: BSP parallel with captive seal (ISO 1179) / 24° cone end



Reihe series	D	G	G1	D1	D2	L	L1	L2	S	Gewicht weight kg/100	Sach-Nr. comp.no.	Artikel-Nr. part.no.
LL	4	M8x1	G 1/8 A	3	14	21,5	8,0	9,5	14	1,00	18608/21	XGE4R1/8ZLLWDPc3d
PN 100	6	M10x1	G 1/8 A	4	14	21,5	8,0	8,0	14	1,10	8224/21	XGE6R1/8ZLLWDPc3d
L	6	M12x1,5	G 1/8 A	4	14	23,5	8,0	8,5	14	1,30	1060/21	XGE6R1/8ZLWDPc3d
PN 500	6	M12x1,5	G 1/4 A	4	19	29,0	12,0	10,0	19	2,80	14427/21	XGE6R1/4ZLWDPc3d
PN 420	6	M12x1,5	G 3/8 A	4	22	30,5	12,0	11,5	22	4,40	17068/21	XGE6R3/8ZLWDPc3d
PN 500	8	M14x1,5	G 1/8 A	4	14	24,5	8,0	9,5	14	1,60	12521/21	XGE8R1/8ZLWDPc3d
	8	M14x1,5	G 1/4 A	6	19	29,0	12,0	10,0	19	2,70	1061/21	XGE8R1/4ZLWDPc3d
PN 420	8	M14x1,5	G 3/8 A	6	22	30,5	12,0	11,5	22	4,50	1062/21	XGE8R3/8ZLWDPc3d
PN 400	8	M14x1,5	G 1/2 A	6	27	33,0	14,0	12,0	27	7,40	9686/21	XGE8R1/2ZLWDPc3d
PN 500	10	M16x1,5	G 1/8 A	4	14	25,5	8,0	10,5	17	2,10	17622/21	XGE10R1/8ZLWDPc3d
	10	M16x1,5	G 1/4 A	6	19	30,0	12,0	11,0	19	2,90	1063/21	XGE10R1/4ZLWDPc3d
PN 420	10	M16x1,5	G 3/8 A	8	22	31,5	12,0	12,5	22	4,30	8126/21	XGE10R3/8ZLWDPc3d
PN 400	10	M16x1,5	G 1/2 A	8	27	34,0	14,0	13,0	27	7,10	14189/21	XGE10R1/2ZLWDPc3d
PN 420	12	M18x1,5	G 1/8 A	4	14	26,5	8,0	11,5	19	2,60	17638/21	XGE12R1/8ZLWDPc3d
PN 400	12	M18x1,5	G 1/4 A	6	19	31,0	12,0	12,0	19	3,10	8054/21	XGE12R1/4ZLWDPc3d
PN 420	12	M18x1,5	G 3/8 A	9	22	31,5	12,0	12,5	22	4,10	1064/21	XGE12R3/8ZLWDPc3d
PN 400	12	M18x1,5	G 1/2 A	10	27	34,0	14,0	13,0	27	6,70	4818/21	XGE12R1/2ZLWDPc3d
PN 250	12	M18x1,5	G 3/4 A	10	32	37,0	16,0	14,0	32	11,80	14768/21	XGE12R3/4ZLWDPc3d
PN 400	15	M22x1,5	G 3/8 A	9	22	32,5	12,0	13,5	24	5,40	12809/21	XGE15R3/8ZLWDPc3d
	15	M22x1,5	G 1/2 A	11	27	35,0	14,0	14,0	27	7,20	1065/21	XGE15R1/2ZLWDPc3d
PN 250	15	M22x1,5	G 3/4 A	12	32	38,0	16,0	15,0	32	11,60	14911/21	XGE15R3/4ZLWDPc3d
PN 400	18	M26x1,5	G 3/8 A	9	22	33,5	12,0	14,0	27	6,60	17641/21	XGE18R3/8ZLWDPc3d
	18	M26x1,5	G 1/2 A	14	27	36,0	14,0	14,5	27	7,10	1066/21	XGE18R1/2ZLWDPc3d
PN 250	18	M26x1,5	G 3/4 A	15	32	38,0	16,0	14,5	32	11,00	8520/21	XGE18R3/4ZLWDPc3d
	22	M30x2	G 1/2 A	14	27	38,0	14,0	16,5	32	9,10	14210/21	XGE22R1/2ZLWDPc3d
	22	M30x2	G 3/4 A	18	32	40,0	16,0	16,5	32	10,20	1067/21	XGE22R3/4ZLWDPc3d
	22	M30x2	G 1 A	19	40	43,0	18,0	17,5	41	18,80	15037/21	XGE22R1ZLWDPc3d
	28	M36x2	G 3/4 A	18	32	41,0	16,0	17,5	41	15,90	14681/21	XGE28R3/4ZLWDPc3d
	28	M36x2	G 1 A	23	40	43,0	18,0	17,5	41	17,00	1068/21	XGE28R1ZLWDPc3d
	28	M36x2	G 1 1/4 A	24	50	46,0	20,0	18,5	50	31,60	14433/21	XGE28R1 1/4 ZLWDPc3d
	35	M45x2	G 1 A	23	40	46,0	18,0	17,5	50	22,60	14438/21	XGE35R1ZLWDPc3d
	35	M45x2	G 1 1/4 A	30	50	48,0	20,0	17,5	50	27,20	1069/21	XGE35R1 1/4 ZLWDPc3d
	35	M45x2	G 1 1/2 A	30	55	52,0	22,0	19,5	55	42,30	13109/21	XGE35R1 1/2 ZLWDPc3d
	42	M52x2	G 1 A	23	40	48,0	18,0	19,0	55	32,40	18740/21	XGE42R1ZLWDPc3d
	42	M52x2	G 1 1/4 A	30	50	50,0	20,0	19,0	55	34,80	18009/21	XGE42R1 1/4 ZLWDPc3d
	42	M52x2	G 1 1/2 A	36	55	52,0	22,0	19,0	55	34,3	1070/21	XGE42R1 1/2 ZLWDPc3d

Serienmäßig mit Weichdichtung aus NBR / Auf Wunsch mit FKM lieferbar

Supplied with fitted NBR-sealing / FKM on request