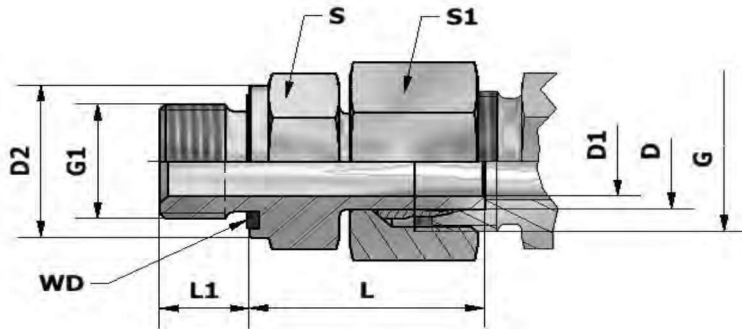


## EGA..R..ZWD - Gerader Einschraubstutzen mit Schaft

Zöll. Einschraubzapfen mit WD (ISO 1179) / Schaftanschluss

## EGA..R..ZWD - Straight stud connector

thread: BSP parallel with captive seal (ISO 1179) / standpipe



| Reihe series | D  | G       | G1        | D1   | D2   | L    | L1   | S  | S1 | Gewicht weight kg/100 | Sach-Nr. comp.no. | Artikel-Nr. part.no. |
|--------------|----|---------|-----------|------|------|------|------|----|----|-----------------------|-------------------|----------------------|
| L<br>PN 315  | 6  | M12x1,5 | G 1/8 A   | 3,5  | 13,9 | 24,5 | 8,0  | 14 | 14 | 2,40                  | 51485/21          | EGA6R1/8ZLWDPc3d     |
|              | 8  | M14x1,5 | G 1/4 A   | 4,5  | 18,9 | 29,5 | 12,0 | 19 | 17 | 5,10                  | 51486/21          | EGA8R1/4ZLWDPc3d     |
|              | 10 | M16x1,5 | G 1/4 A   | 7,0  | 18,9 | 27,5 | 12,0 | 19 | 19 | 4,80                  | 2002/21           | EGA10R1/4ZLWDPc3d    |
|              | 12 | M18x1,5 | G 3/8 A   | 7,5  | 21,9 | 34,0 | 12,0 | 22 | 22 | 8,50                  | 2043/21           | EGA12R3/8ZLWDPc3d    |
|              | 15 | M22x1,5 | G 1/2 A   | 11,0 | 26,9 | 32,0 | 14,0 | 27 | 27 | 11,40                 | 2000/21           | EGA15R1/2ZLWDPc3d    |
|              | 18 | M26x1,5 | G 1/2 A   | 14,0 | 26,9 | 31,5 | 14,0 | 27 | 32 | 13,20                 | 51487/21          | EGA18R1/2ZLWDPc3d    |
| PN 160       | 22 | M30x2   | G 3/4 A   | 18,0 | 31,9 | 32,5 | 16,0 | 32 | 36 | 18,10                 | 51488/21          | EGA22R3/4ZLWDPc3d    |
|              | 28 | M36x2   | G 1 A     | 23,0 | 39,9 | 35,0 | 18,0 | 41 | 41 | 25,90                 | 51489/21          | EGA28R1ZLWDPc3d      |
|              | 35 | M45x2   | G 1 1/4 A | 29,5 | 49,9 | 42,5 | 20,0 | 50 | 50 | 43,40                 | 51490/21          | EGA35R1 1/4 ZLWDPc3d |
|              | 42 | M52x2   | G 1 1/2 A | 35,5 | 54,9 | 46,5 | 22,0 | 55 | 60 | 61,10                 | 51491/21          | EGA42R1 1/2 ZLWDPc3d |
| S<br>PN 630  | 6  | M14x1,5 | G 1/4 A   | 3,5  | 18,9 | 27,0 | 12,0 | 19 | 17 | 4,90                  | 51492/21          | EGA6R1/4ZSWDPc3d     |
|              | 8  | M16x1,5 | G 1/4 A   | 4,5  | 18,9 | 29,5 | 12,0 | 19 | 19 | 5,60                  | 51493/21          | EGA8R1/4ZSWDPc3d     |
|              | 10 | M18x1,5 | G 3/8 A   | 6,5  | 21,9 | 32,0 | 12,0 | 22 | 22 | 8,30                  | 51494/21          | EGA10R3/8ZSWDPc3d    |
|              | 12 | M20x1,5 | G 3/8 A   | 7,5  | 21,9 | 34,0 | 12,0 | 22 | 24 | 9,60                  | 4810/21           | EGA12R3/8ZSWDPc3d    |
| PN 400       | 16 | M24x1,5 | G 1/2 A   | 11,5 | 26,9 | 37,0 | 14,0 | 27 | 30 | 15,80                 | 51495/21          | EGA16R1/2ZSWDPc3d    |
|              | 20 | M30x2   | G 3/4 A   | 15,5 | 31,9 | 43,0 | 16,0 | 32 | 36 | 25,30                 | 51496/21          | EGA20R3/4ZSWDPc3d    |
|              | 25 | M36x2   | G 1 A     | 18,0 | 39,9 | 48,0 | 18,0 | 41 | 46 | 48,20                 | 51497/21          | EGA25R1ZSWDPc3d      |
|              | 30 | M42x2   | G 1 1/4 A | 23,5 | 49,9 | 51,0 | 20,0 | 50 | 50 | 65,90                 | 51498/21          | EGA30R1 1/4 ZSWDPc3d |
| PN 315       | 38 | M52x2   | G 1 1/2 A | 29,0 | 54,9 | 60,0 | 22,0 | 55 | 60 | 94,90                 | 51499/21          | EGA38R1 1/2 ZSWDPc3d |

Serienmäßig mit Weichdichtung aus NBR / Auf Wunsch mit FKM lieferbar  
Supplied with fitted NBR-sealing / FKM on request

Auf Wunsch mit Einschraubzapfen Form B (ISO 1179) lieferbar  
Threaded plug form B (ISO 1179) supplied on request