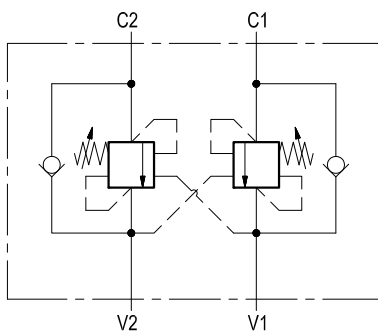


# Dual counterbalance

A-VBSO-DE-30-PI

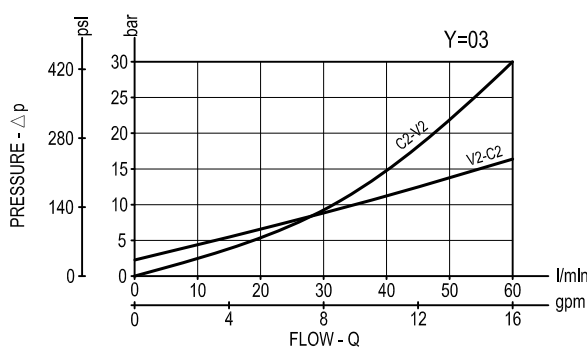
08.48.11 - X - Y - Z



## Description

It provides static and dynamic control of load by regulating the flow IN and OUT of the actuator, through ports C1 and C2. This valve module includes 2 sections, each one composed by a check and a relief valve pilot assisted by pressure in the opposite line: the check section allows free flow into the actuator, then holds the load against reverse movement; with pilot pressure applied at the line across, the pressure setting of the relief is reduced in proportion to the stated ratio until opening and allowing controlled reverse flow. Back-pressure at V1 or V2 is additive to the pressure setting in all functions.

## Performance



## Technical data

### Hydraulic

Max. operating pressure	bar (psi)	350 (5000)
Max. flow	l/min (gpm)	60 (16)

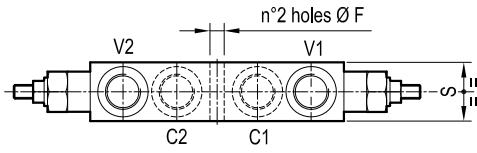
Relief setting: at least 1.3 times the highest expected load.

### General

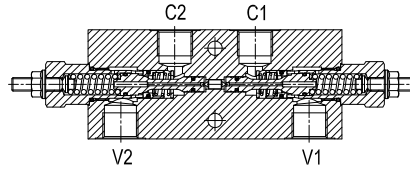
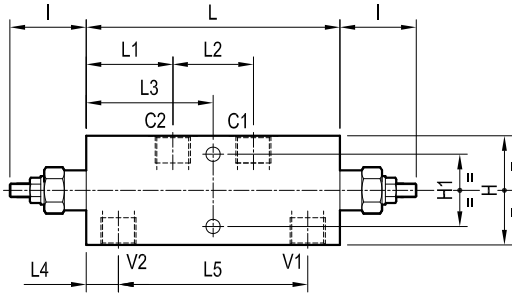
Manifold material	Steel
Weight	see "Dimensions"
Fluid temperature range	°C (°F) between -30 (-22) and +100 (212)
Other technical data	see data sheet RE 18350-50

**Note:** for applications outside these parameters, please consult us.

Dimensions



[ mm (inches) ]



35 (1.38)	112.6 (4.43)	19.2 (0.76)	75.5 (2.97)	47.6 (1.87)	51.7 (2.04)	151 (5.95)	45.5 (1.79)	43 (1.69)	65 (2.56)	8.5 (0.34)					G 1/2	2.9 (6.4)
30 (1.18)	109.6 (4.32)	20.7 (0.82)	75.5 (2.97)	47.6 (1.87)	51.7 (2.04)	151 (5.95)	45.5 (1.79)	38 (1.5)	55 (2.17)	8.5 (0.34)					G 3/8	2.5 (5.5)
S	L5	L4	L3	L2	L1	L	I	H1	H	F					Y	Weight kg (lbs)

Ordering code

<b>08.48.11</b>	<b>X</b>	<b>Y</b>	<b>Z</b>
-----------------	----------	----------	----------

Dual counterbalance

Pilot ratio

= 03 4.2:1

Port sizes	V1-V2	C1-C2
= 02	G 3/8	G 3/8
= 03	G 1/2	G 1/2

SPRINGS

	Adj. pressure range bar (psi)	Pres. increase bar/turn (psi/turn)	Std. setting Q=5 (l/min.) bar (psi)
= 20	60-210 (870-3000)	63 (914)	200 (2900)
= 35	100-350 (1450-5000)	138 (2001)	350 (5000)

Tamper resistant cap  
code 11.04.23.002  
R930000752



Type	Material number
084811030220000	R930006936
084811030235000	R930006445
084811030320000	R930006817
084811030335000	R930006818

Type	Material number