

# Dual cross over relief, direct acting, flangeable to motor

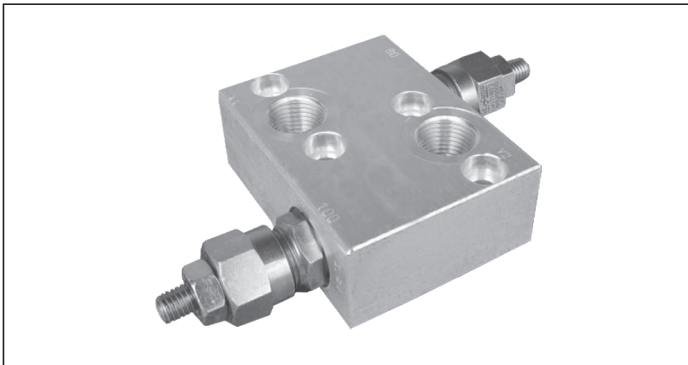
VSDI-30-FM

05.16.33 - X - Y - Z

**RE 18308-16**

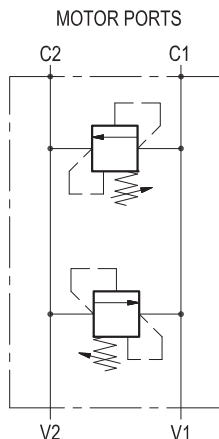
Edition: 03.2016

Replaces: 04.2010



### Description

It relieves the inlet pressure from either one of the supply lines and it protects the motor from shocks or pressure surges induced by changes in direction or by sudden stops. The dual relief is of the cross over type, and exhausted oil is transferred to the other line (from V1 into V2 and vice-versa), without the necessity of a separate tank line: this feature also prevents cavitation when used in conjunction with closed centre directional valve.



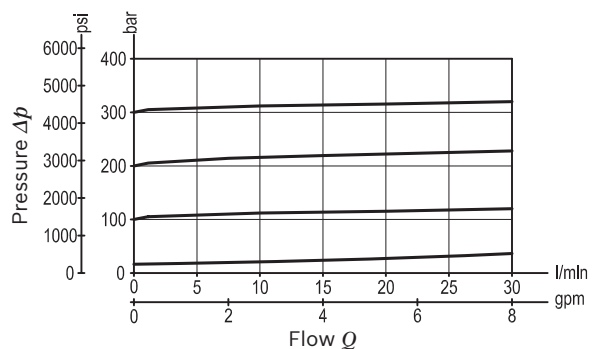
### Technical data

Operating pressure	up to 210 bar (3000 psi)
Max. flow	30 l/min. (8 gpm)
Weight	0.7 kg (1.54 lbs)
Manifold material	Aluminium
Note: aluminium bodies are often strong enough for operating pressures exceeding 210 bar (3000 psi), depending from the fatigue life expected in the specific application. If in doubt, consult our Service Network.	
Flange seal kit <sup>1)</sup>	E00000000000058 (R930060588)
Flangeable on SAUER-DANFOSS orbital motors OMP-OMR series	
For relief cartridge details, see RE 18318-23 (VS-30 041118X99Z)	
Each cartridge can be individually pressure set.	
Fluid	Mineral oil (HL, HLP) according DIN 51524
Fluid temperature range	-30 °C to 100 (-22 to 212 °F)
Viscosity range	10 to 500 mm <sup>2</sup> /s (cSt)
Recommended degree of fluid contamination	Class 19/17/14 according to ISO 4406
Other technical data	see data sheet 18350-50

Note: for applications outside these parameters, please consult us.

<sup>1)</sup> Seals for 10 valves

### Characteristic curve



**Ordering code**

<b>05.16.33</b>	<b>X</b>	<b>Y</b>	<b>Z</b>
-----------------	----------	----------	----------

Dual cross over relief, direct acting flangeable to motor

Adjustments



**03** Leakproof hex. socket screw

Port sizes	V1 - V2	C1 - C2	
<b>03</b>	G 1/2	Ø 13 (0.51)	

SPRINGS			
	Adj. pressure range bar (psi)	Pres. increase bar/turn (psi/turn)	Std. setting Q=5 (l/min) bar (psi)
<b>20</b>	50-210 (725-3000)	47 (682)	200 (2900)

Tamper resistant cap  
 ordeting code 11.04.23.003  
 Mat. no. R930000754

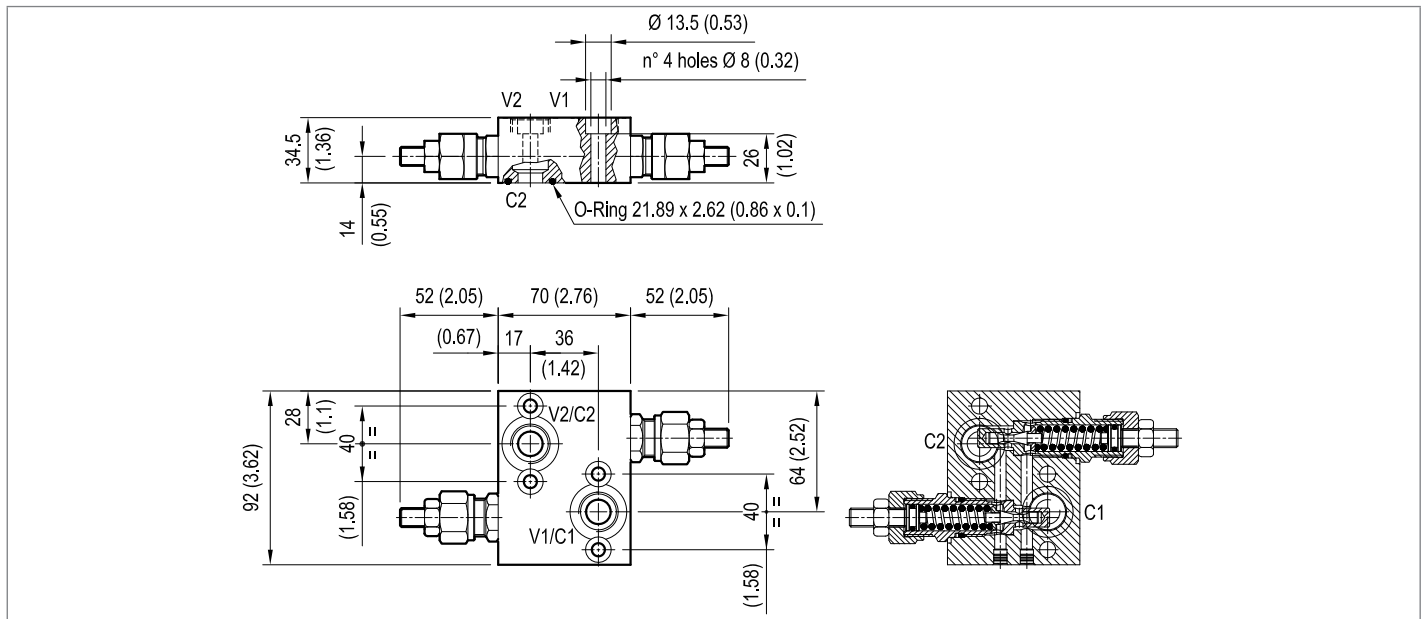


**Preferred types**

Type	Material number
051633030320000	R930001388

Type	Material number

**Dimensions**



**Bosch Rexroth Oil Control S.p.A.**

Via Leonardo da Vinci 5  
 P.O. Box no. 5  
 41015 Nonantola - Modena, Italy  
 Tel. +39 059 887 611  
 Fax +39 059 547 848  
 compact-hydraulics-pib@boschrexroth.com  
 www.boschrexroth.com/compacthydraulics

© This document, as well as the data, specifications and other information set forth in it, are the exclusive property of Bosch Rexroth Oil Control S.p.a.. It may not be reproduced or given to third parties without its consent. The data specified above only serve to describe the product. No statements concerning a certain condition or suitability for a certain application can be derived from our information. The information given does not release the user from the obligation of own judgment and verification. It must be remembered that our products are subject to a natural process of wear and aging. Subject to change.