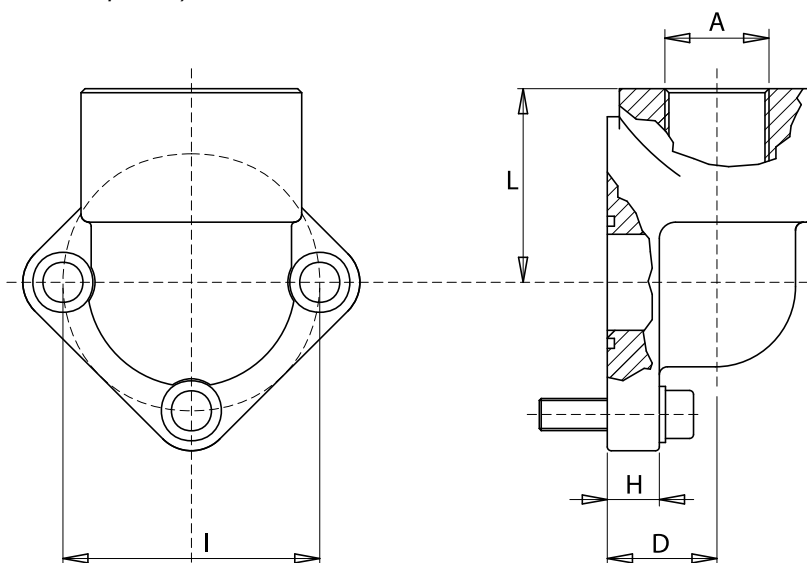


Materiale: acciaio (zincato bianco)  
 Material: steel (white zinc plated)



Tipo Type	Gruppo pompa Pump size	A	I	D	H	L	N. fori Fixing	Viti Screws holes	O-Rings
RPA05-038	0.5	3/8"	26	17	10	27	3	M5x20	2056
RPA05-012	0.5	1/2"	26	17	10	27	3	M5x20	2056
RPA1-038	1	3/8"	30	17	10	27	3	M6x20	121
RPA1-012	1	1/2"	30	17	10	27	3	M6x20	121
RPA2-038	2	3/8"	4	21	11	36	3	M8x25	132
RPA2-012	2	1/2"	40	21	11	36	3	M8x25	132
RPA2-034	2	3/4"	40	21	11	36	3	M8x25	132
RPA3-034	3	3/4"	51	27	15	46	3	M10x30	4118
RPA3-100	3	1"	51	27	15	46	3	M10x30	4118
RPA3-034B	3	3/4"	56	27	15	46	3	M10x30	4118
RPA3-100B	3	1"	56	27	15	46	3	M10x30	4118
RPA35-100M10	3.5	1"	62	36	16	56	3	M10x30	4150
RPA35-114M10	3.5	1 1/4"	62	36	16	56	3	M10x30	4150
RPA35-100M12	3.5	1"	62	36	16	56	3	M12x35	4150
RPA35-114M12	3.5	1 1/4"	62	36	16	56	3	M12x35	4150
RPA4-114	4	1 1/4"	72.5	37	17	56	3	M12x35	153
RPA4-112	4	1 1/2"	72.5	37	17	56	3	M12x35	153
RPA6-212	-	2 1/2"	92	52	18	75	3	M12x40	4275

## Esempio codice di ordinazione - Ordering example

# RPA 2 - 034 - M

Raccordo  
Coupling

Viti metriche, rondelle, O-Rings  
 Metrical screws, washers, O-Rings  
 (zincate bianche - white zinc plated)

RPA35 - RPA4 - RPA6  
 Forniti in ghisa - Made of cast iron